



MANUFACTURED BY:
Backyard Discovery
3305 Airport Drive, Pittsburg, KS 66762
800-856-4445

Basepoint Business Centre: Rivermead Drive, Westlea, Swindon SN5 7EX Phone: 0800-118-2476
J.P. Coenstraat 7, The Bridge, The Hague, 2595 WP, Netherlands Phone: 0800-567-8990

CANYON CREEK CEDAR HAVEN Swing Set

Model # 1803022B, 2300026B, & 2200272B

The assembly manual must be retained
since it contains important information



WARNING

Adult Assembly Required.

Not suitable for children under 36 months due to small parts.
FOR DOMESTIC USE ONLY. INTENDED FOR OUTDOOR USE.



Please visit www.backyarddiscovery.com

For the most up to date assembly manual, to register your set, or to order replacement parts

Para obtener instrucciones en español, visite www.backyarddiscovery.com



**EASY STEP-BY-STEP
3D INTERACTIVE INSTRUCTIONS**
DOWNLOAD THE FREE APP



Made in China

INS-1803022B-A-CANYON CREEK-ENG 01-23-24
INS-2300026B-A-CANYON CREEK-ENG 01-23-24
INS-2300272B-A-CEDAR HAVEN-ENG 01-23-24

Owner's Manual - Basic Setup Dimensions & Assembly Notes

Place the set on level ground, not less than 6'-7" [2 m] from any structure or obstruction such as a fence, garage, house, overhanging branches, laundry lines, or electrical wires.

- While assembling unit, take time before and after each phase to make sure fort is level. If fort is not level, assembly will be difficult and improper assembly may result. Extra care must be taken to insure the fort is square.
- The safe play area refers to a zone extending 6'-7" (2 m) beyond the play product on all sides, including the space above the play product.

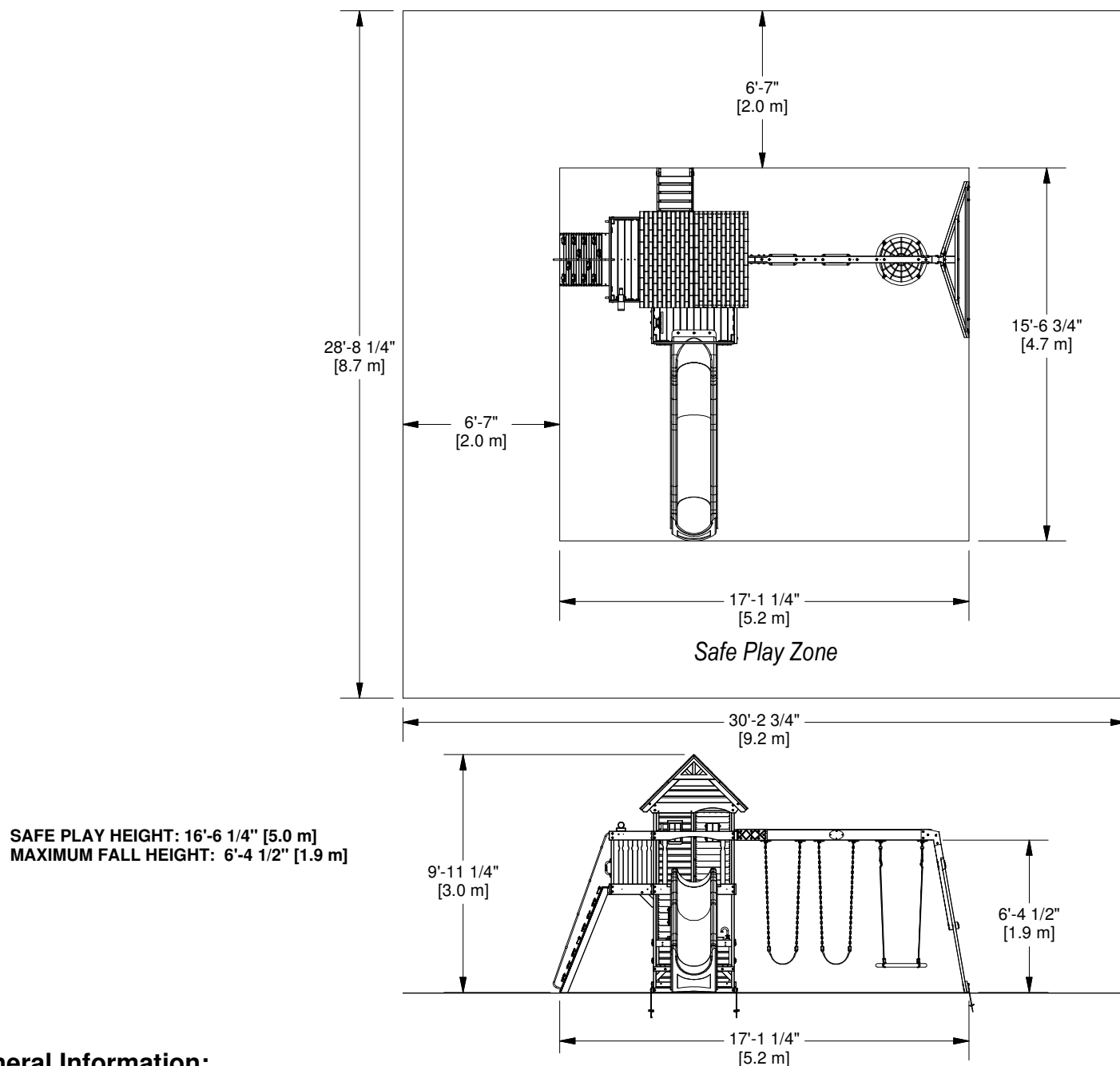
SAFE PLAY AREA DIAGRAM

Ground Dimensions

15'-6 3/4" [4.7 m] x 17'-1 1/4" [5.2 m]

Safe Play Area

28'-8 1/4" [8.7 m] x 30'-2 3/4" [9.2 m] x 16'-6 1/4" [5.0 m]



General Information:

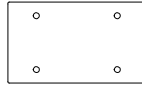
Your set has been designed and engineered for children only and for residential use only.
A maximum of 150 lbs. per child is recommended for play activities designed for individual use.
A maximum of 120 lbs. per child is recommended for play activities designed for multiple child use.
A maximum of 9 children is recommended for this swing set.

Owner's Manual - Parts Identification

Wood Components (Not to Scale)



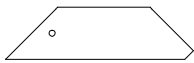
A1 SWING BEAM EXTENDED - W4L17819
(x1) 3 3/8"x5 1/4"x89 1/2" (86x134x2274)



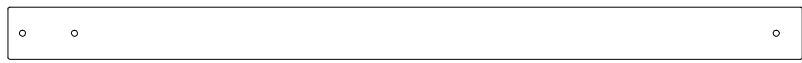
A2 SB 9" BLOCK - W4L17820
(x1) 3 3/8"x5 1/4"x9" (86x134x228)



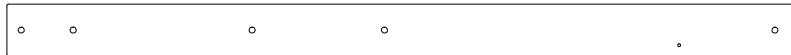
D1 SWING BEAM MOUNT - W4L17652
(x1) 1 3/8"x5 1/4"x62 3/8" (36x134x1585)



E1 DECK BRACE - W4L17821
(x4) 1 3/8"x3 3/8"x12 1/4" (36x86x311)



E2 LEFT REAR UPRIGHT - W4L17823
(x1) 1 3/8"x3 3/8"x51 3/4" (36x86x1314)



E3 LEFT FRONT UPRIGHT - W4L17824
(x1) 1 3/8"x3 3/8"x51 3/4" (36x86x1314)



E4 RIGHT FRONT UPRIGHT - W4L17825
(x1) 1 3/8"x3 3/8"x51 3/4" (36x86x1314)



E5 RIGHT FRONT BALCONY UPRIGHT - W4L17826
(x1) 1 3/8"x3 3/8"x80 3/4" (36x86x2052)



E6 LEFT REAR UPRIGHT - W4L17830
(x1) 1 3/8"x3 3/8"x43 1/2" (36x86x1104)



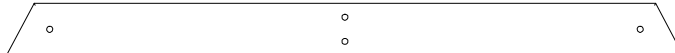
E7 RIGHT REAR UPRIGHT - W4L17831
(x1) 1 3/8"x3 3/8"x43 1/2" (36x86x1104)



E8 LEFT FRONT UPRIGHT - W4L17832
(x1) 1 3/8"x3 3/8"x43 1/2" (36x86x1104)



E9 RIGHT FRONT UPRIGHT - W4L17833
(x1) 1 3/8"x3 3/8"x43 1/2" (36x86x1104)



E10 MOUNTING BLOCK - W4L17815
(x1) 1 3/8"x3"x4 3/4" (36x76x120)

E79 END SUPPORT - W4L17626
(x1) 1 1/2"x3 1/2"x44" (36x86x1120)

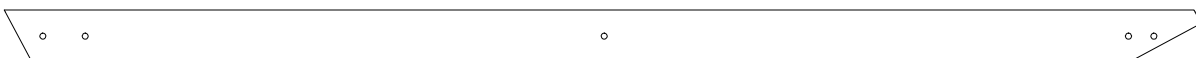
E12 MOUNTING BLOCK - W4L17816
(x1) 1 3/8"x3"x4 3/4" (36x76x120)



E11 RIGHT FRONT BALCONY UPRIGHT - W4L17827
(x1) 1 3/8"x3 3/8"x80 3/4" (36x86x2052)



E72 RAIL - W4L17808
(x2) 1 3/8"x3 3/8"x57 3/8" (36x86x1457)



E77 ANGLE BRACE - W4L17625
(x2) 1 3/8"x3 3/8"x78" (36x86x1980)

Owner's Manual - Parts Identification

Wood Components (Not to Scale)



F1 RIGHT BALCONY UPRIGHT - W4L17806
(x1) 1 3/8"x2 3/8"x31 3/4" (36x60x805)



F2 LEFT BALCONY UPRIGHT - W4L17807
(x1) 1 3/8"x2 3/8"x31 3/4" (36x60x805)



F3 SUPPORT BLOCK - W4L11159
(x1) 1 3/8"x2 3/8"x9 1/4" (36x60x234)



F4 SUPPORT BLOCK - W4L11160
(x1) 1 3/8"x2 3/8"x9 1/4" (36x60x234)



F5 ANGLE BRACE - W4L17822
(x2) 1 3/8"x2 3/8"x9 1/2" (36x60x240)



G2 GROUND BOARD - W4L17641
(x1) 1"x5 1/4"x42 1/4" (24x134x1072)



G3 GROUND BOARD - W4L17642
(x1) 1"x5 1/4"x42 1/4" (24x134x1072)



G4 GROUND BOARD - W4L17643
(x1) 1"x5 1/4"x40 1/2" (24x134x1030)



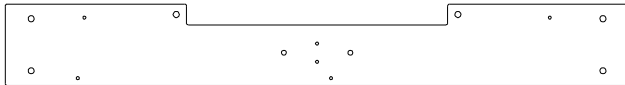
G5 RIGHT CENTER WALL RAIL - W4L17644
(x1) 1"x5 1/4"x63 3/8" (24x134x1609)



G6 FRONT CENTER WALL RAIL - W4L17645
(x1) 1"x5 1/4"x61 3/4" (24x134x1570)



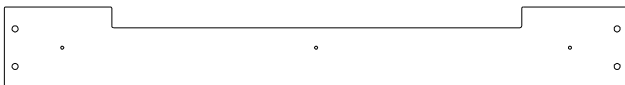
G7 REAR CENTER WALL RAIL - W4L17646
(x1) 1"x5 1/4"x61 3/4" (24x134x1570)



G8 LEFT CENTER WALL RAIL - W4L17647
(x1) 1"x5 1/4"x40 5/8" (24x134x1032)



G9 LEFT BALCONY WALL RAIL - W4L17648
(x1) 1"x5 1/4"x20 3/4" (24x134x528)



G10 FRONT BALCONY WALL RAIL - W4L17649
(x1) 1"x5 1/4"x40 5/8" (24x134x1032)



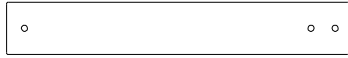
G11 LEFT SIDE WALL BOARD - W4L17651
(x1) 1"x5 1/4"x42 1/2" (24x134x1080)



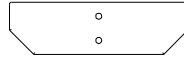
G12 GROUND BOARD - W4L17627
(x1) 1"x5 1/4"x78 1/8" (24x134x1984)

Owner's Manual - Parts Identification

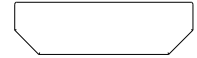
Wood Components (Not to Scale)



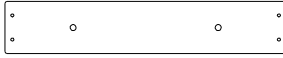
H1 TABLE SUPPORT - W4L11147
(x1) 1"x3 3/8"x22 3/8" (24x86x567)



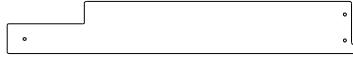
H2 TABLE SUPPORT - W4L18018
(x1) 1"x3 3/8"x11 5/8" (24x86x295)



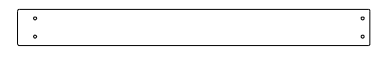
H3 TABLE SUPPORT - W4L18021
(x1) 1"x3 3/8"x11 5/8" (24x86x295)



H5 ATTACHMENT BOARD - W4L17639
(x1) 1"x3 3/8"x18 1/4" (24x86x465)



H6 BENCH BOARD - W4L17657
(x2) 1"x3 3/8"x23" (24x86x583)



H7 BENCH BOARD - W4L17658
(x2) 1"x2 3/8"x23" (24x60x583)



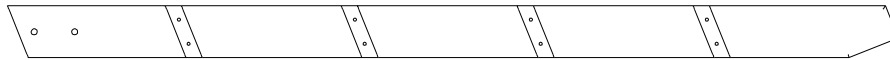
H8 BENCH BOARD - W4L17659
(x2) 1"x3 3/8"x23" (24x86x583)



H9 ATTACHMENT BOARD - W4L17814
(x1) 1"x3 3/8"x26 1/4" (24x86x667)



H76 LADDER RUNG - W4L07620
(x4) 1"x3 3/8"x17 1/4" (24x86x437)



H77 LEFT UPRIGHT - W4L11173
(x1) 1"x3 3/8"x58" (24x86x1474)



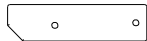
H78 RIGHT UPRIGHT - W4L11174
(x1) 1"x3 3/8"x58" (24x86x1474)



J1 PORCH GROUND BOARD - W4L11128
(x1) 1"x2 3/8"x40 1/2" (24x60x1030)



J2 PORCH GROUND BOARD - W4L11129
(x1) 1"x2 3/8"x40 5/8" (24x60x1032)



J3 BENCH SUPPORT - W4L18017
(x2) 1"x2 3/8"x9" (24x60x230)



J5 SUPPORT BLOCK - W4L18022
(x2) 1"x2 3/8"x2 7/8" (24x60x72)



J6 SUPPORT BLOCK - W4L17817
(x1) 1"x2 3/8"x6 1/4" (24x60x160)



J7 SUPPORT BLOCK - W4L11158
(x1) 1"x2 3/8"x3 3/8" (24x60x86)



J8 FLOOR JOIST - W4L07602
(x1) 1"x2 3/8"x40 1/2" (24x60x1029)



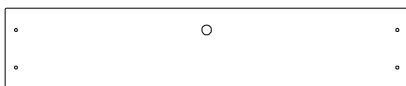
J9 FLOOR JOIST - W4L17671
(x1) 1"x2 3/8"x20 1/4" (24x60x515)



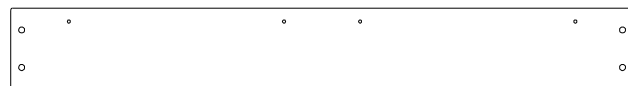
J10 PORCH GROUND BOARD - W4L17650
(x2) 1"x2 3/8"x21 1/8" (24x60x537)



J11 SUPPORT BLOCK - W4L17818
(x1) 1"x2 3/8"x6 1/4" (24x60x160)



K1 ROCK WALL BOARD - W4L17813
(x1) 5/8"x5 1/4"x26 1/4" (16x134x667)



K4 GROUND BOARD - W4L11116
(x1) 5/8"x5 1/4"x40 1/2" (16x134x1030)



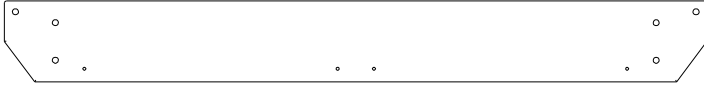
K12 ARCHED WALL RAIL - W4L11143
(x1) 5/8"x5 1/4"x40 5/8" (16x134x1032)



K13 ARCHED WALL RAIL - W4L11144
(x1) 5/8"x5 1/4"x40 5/8" (16x134x1032)

Owner's Manual - Parts Identification

Wood Components (Not to Scale)



K14 ANGLED WALL RAIL - W4L11145
(x1) 5/8"x5 1/4"x45 3/4" (16x134x1162)



K15 ANGLED WALL RAIL - W4L11146
(x1) 5/8"x5 1/4"x45 3/4" (16x134x1162)



K16 TABLE BOARD - W4L18020
(x1) 5/8"x5 1/4"x23" (16x134x583)



K17 FLOOR BOARD - W4L17662
(x2) 5/8"x5 1/4"x21 1/8" (16x134x537)



L5 FLOOR BOARD - W4L17663
(x1) 5/8"x4 1/8"x19 1/4" (16x104x488)



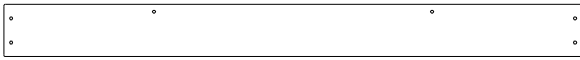
M1 WALL RAIL - W4L11154
(x1) 5/8"x3 3/8"x40 1/2" (16x86x1030)



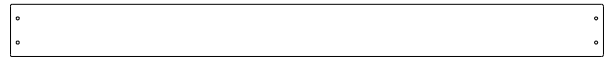
M3 BENCH BOARD - W4L18019
(x2) 5/8"x3 3/8"x23" (16x86x583)



M4 FLOOR BOARD - W4L07597
(x8) 5/8"x3 3/8"x21 1/8" (16x86x537)



M6 COUNTER TOP - W4L07605
(x1) 5/8"x3 3/8"x37 5/8" (16x86x957)



M7 COUNTER TOP - W4L07606
(x2) 5/8"x3 3/8"x38 5/8" (16x86x981)



M8 FLOOR BOARD - W4L17665
(x1) 5/8"x3 1/4"x19 7/8" (16x82x504)



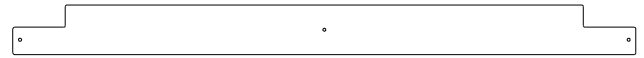
M9 FLOOR BOARD - W4L17660
(x10) 5/8"x3 3/8"x19 7/8" (16x86x504)



M10 FLOOR BOARD - W4L07609
(x1) 5/8"x3 3/8"x40 5/8" (16x86x1031)



M11 FLOOR BOARD - W4L17661
(x15) 5/8"x3 3/8"x40 5/8" (16x86x1031)



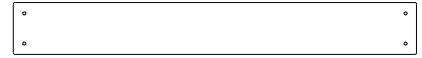
M12 FLOOR BOARD - W4L17991
(x2) 5/8"x3 1/4"x40 5/8" (16x82x1031)



M13 FLOOR BOARD - W4L17664
(x1) 5/8"x3 1/4"x19 7/8" (16x82x504)



M73 REAR SUPPORT - W4L07619
(x1) 5/8"x3 3/8"x18 1/4" (16x86x465)



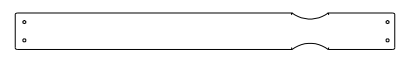
M74 ROCK WALL BOARD - W4L17810
(x7) 5/8"x3 3/8"x26 1/4" (16x86x667)



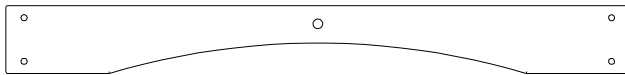
M75 ROCK WALL BOARD - W4L17811
(x4) 5/8"x3 3/8"x26 1/4" (16x86x667)



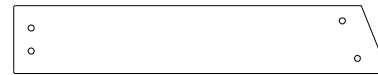
M76 ROCK WALL BOARD - W4L17812
(x4) 5/8"x3 3/8"x26 1/4" (16x86x667)



N2 PICKET - W4L07612
(x18) 5/8"x2 3/8"x24 3/4" (16x60x628)



Q1 ARCHED WALL RAIL - W4L11142
(x1) 1"x4 3/8"x40 5/8" (24x112x1032)



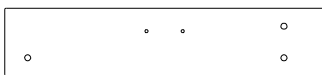
Q2 GROUND BOARD - W4L17640
(x2) 1"x4 3/8"x24 3/8" (24x112x620)



Q3 ARCHED WALL RAIL - W4L17653
(x1) 1"x4 3/8"x40 5/8" (24x112x1032)



Q4 WALL RAIL - W4L17654
(x1) 1"x4 3/8"x23 5/8" (24x112x600)



Q5 WALL RAIL - W4L17655
(x1) 1"x4 3/8"x20 7/8" (24x112x529)



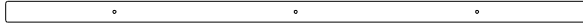
Q6 ARCHED WALL RAIL - W4L17656
(x1) 1"x4 3/8"x43 7/8" (24x112x1113)

Owner's Manual - Parts Identification

Wood Components (Not to Scale)



SP71 SWING BEAM SUPPORT - W4L17638
(x1) 3 3/8"x3 3/8"x49 1/2" (86x86x1256)



T2 SUPPORT BOARD - W4L07600
(x1) 1"x1 3/8"x37 3/4" (24x34x959)



T4 SUPPORT BOARD - W4L07613
(x1) 1"x1 3/8"x37 3/4" (24x34x958)



T1 SUPPORT BOARD - W4L07599
(x3) 1"x1 3/8"x37 5/8" (24x34x957)



T3 SUPPORT BOARD - W4L07601
(x2) 1"x1 3/8"x18 3/4" (24x34x477)



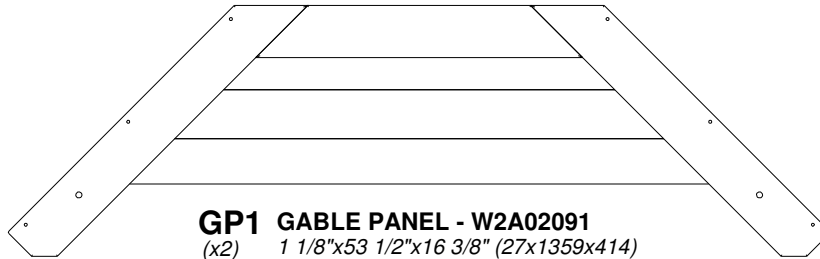
Y1 TOP BOARD - W4L17809
(x1) 5/8"x3 3/4"x26 1/4" (16x94x667)



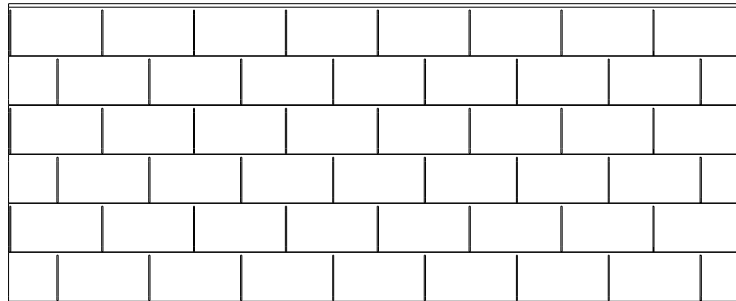
E13 RIGHT REAR UPRIGHT ASSEMBLY - W2A03847
(x1) 1 3/8"x3 3/8"x51 3/4" (36x86x1314)



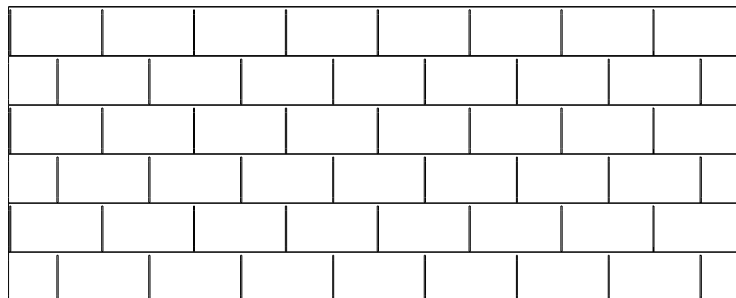
O70 SLIDE MOUNTING BOARD - W4L09040
(x1) 5/8"x1 3/8"x20 3/8" (16x34x517)



GP1 GABLE PANEL - W2A02091
(x2) 1 1/8"x53 1/2"x16 3/8" (27x1359x414)



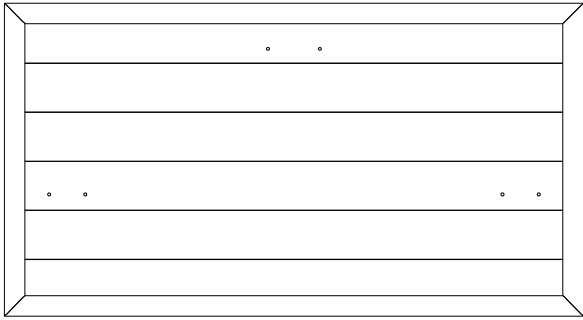
RP1 BOTTOM ROOF PANEL - W2A02494
(x2) 1 3/8"x48"x19 3/8" (35x1220x491)



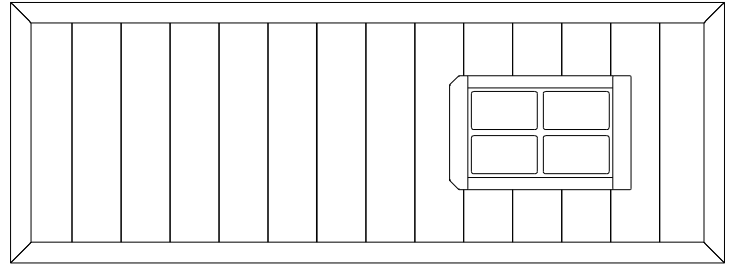
RP2 TOP ROOF PANEL - W2A02495
(x2) 1 3/8"x48"x19 1/8" (35x1220x486)

Owner's Manual - Parts Identification

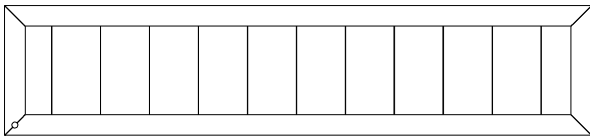
Wood Components (Not to Scale)



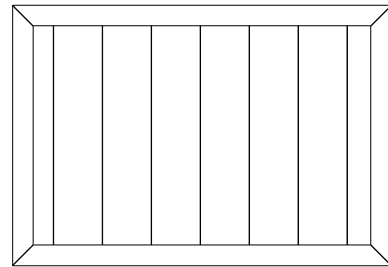
WP1 FRONT WALL PANEL - W2A02082
(x1) 1"x20 3/8"x37 3/4" (24x517x958)



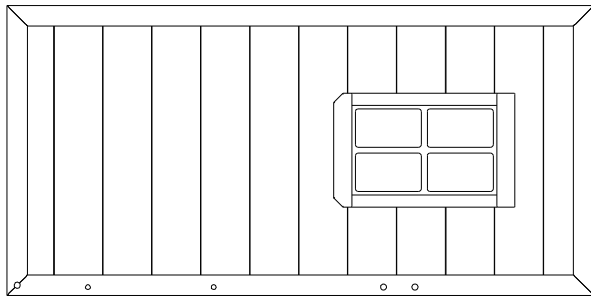
WP2 RIGHT LOWER WALL PANEL - W2A02083
(x1) 1"x16 7/8"x46 1/2" (24x430x1181)



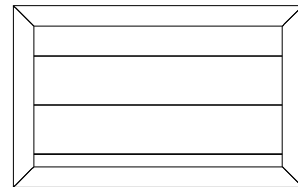
WP3 TOP LEFT WALL PANEL - W2A03843
(x1) 1"x18 7/8"x11 3/4" (24x214x971)



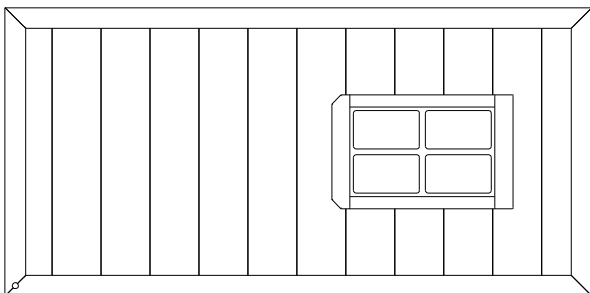
WP4 TOP RIGHT FRONT WALL PANEL - W2A03841
(x2) 1"x16 7/8"x24 5/8" (24x430x627)



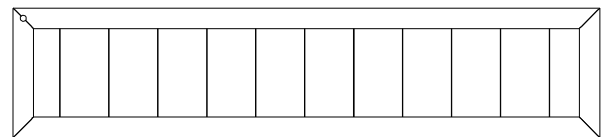
WP5 TOP LEFT REAR WALL PANEL - W2A03842
(x1) 1"x16 7/8"x46 1/2" (24x479x971)



WP6 TOP REAR WALL PANEL - W2A02087
(x1) 1"x18 7/8"x11 3/4" (24x479x300)



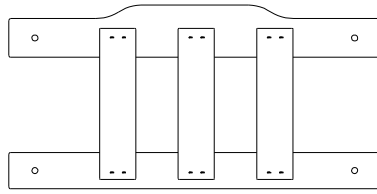
WP7 TOP FRONT WALL PANEL - W2A03840
(x1) 1"x16 7/8"x46 1/2" (24x476x971)



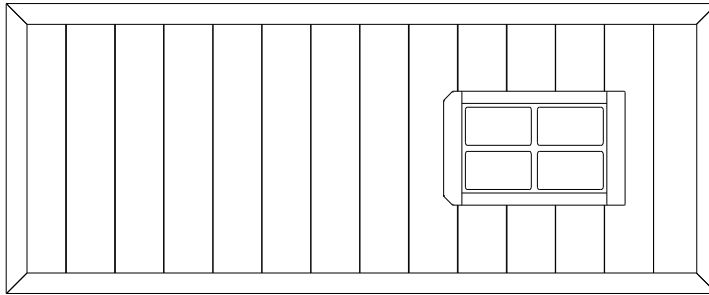
WP8 TOP LEFT WALL PANEL - W2A03844
(x1) 1"x18 7/8"x11 3/4" (24x214x971)

Owner's Manual - Parts Identification

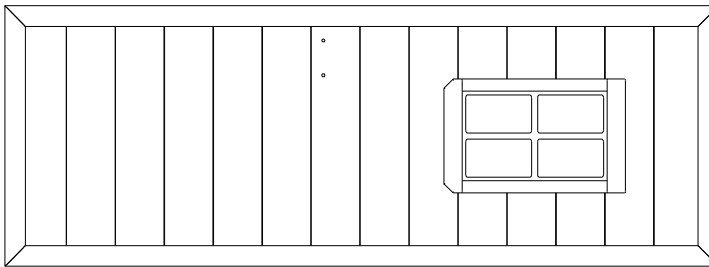
Wood Components (Not to Scale)



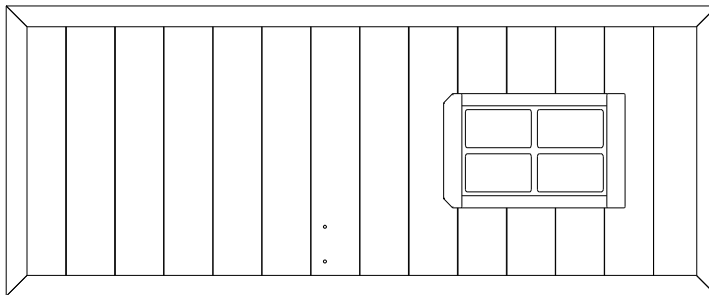
WP10 BENCH BACK ASSEMBLY - W2A02081
(x2) 1 1/8"x11 7/8"x24 1/4" (27x303x615)



WP9 LOWER WALL PANEL - W2A02090
(x1) 1"x16 7/8"x46 1/2" (24x479x1176)



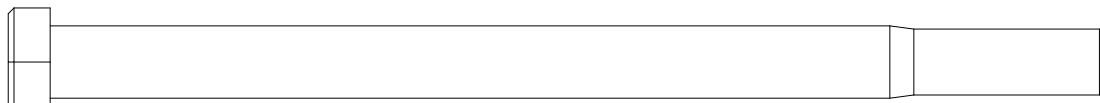
WP11 RIGHT LOWER WALL PANEL - W2A03845
(x1) 1"x16 7/8"x46 1/2" (24x430x1181)



WP12 LOWER WALL PANEL - W2A03846
(x1) 1"x16 7/8"x46 1/2" (24x479x1176)

Owner's Manual - Parts Identification

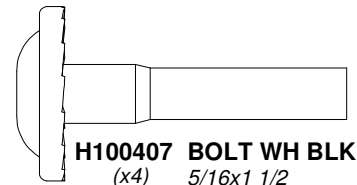
Hardware Components



H100654 BOLT HEX
(x12) 3/8x5-1/2



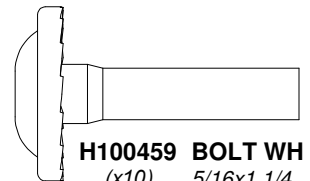
H100498 BOLT HEX - BLK
(x4) 5/16x1 1/2



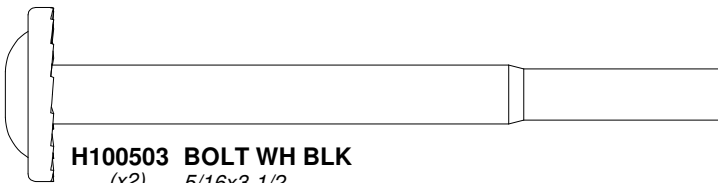
H100407 BOLT WH BLK
(x4) 5/16x1 1/2



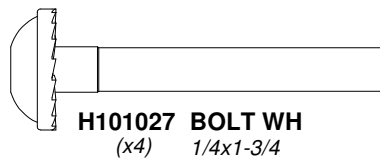
H100480 BOLT WH BLK
(x2) 5/16x4 3/4



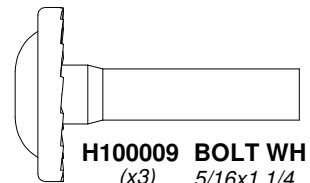
H100459 BOLT WH BLK
(x10) 5/16x1 1/4



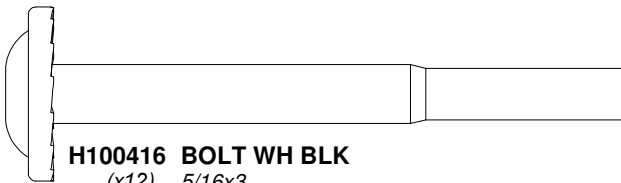
H100503 BOLT WH BLK
(x2) 5/16x3-1/2



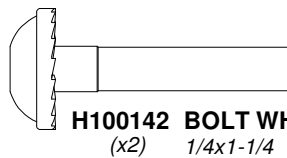
H101027 BOLT WH
(x4) 1/4x1-3/4



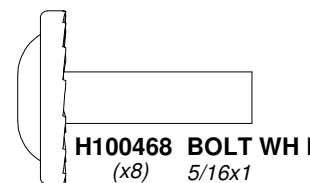
H100009 BOLT WH
(x3) 5/16x1 1/4



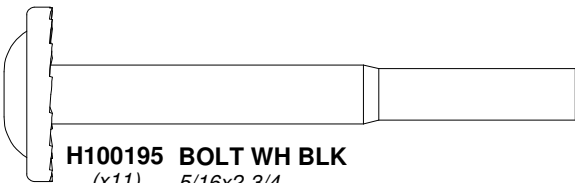
H100416 BOLT WH BLK
(x12) 5/16x3



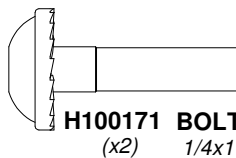
H100142 BOLT WH
(x2) 1/4x1-1/4



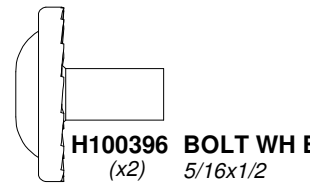
H100468 BOLT WH BLK
(x8) 5/16x1



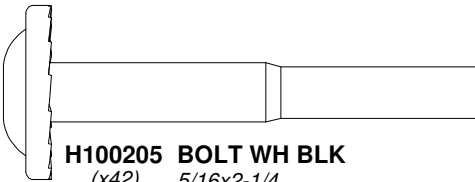
H100195 BOLT WH BLK
(x11) 5/16x2-3/4



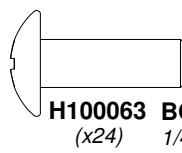
H100171 BOLT WH BLK
(x2) 1/4x1



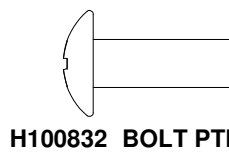
H100396 BOLT WH BLK
(x2) 5/16x1/2



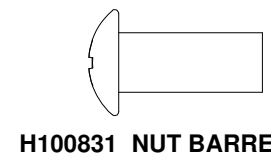
H100205 BOLT WH BLK
(x42) 5/16x2-1/4



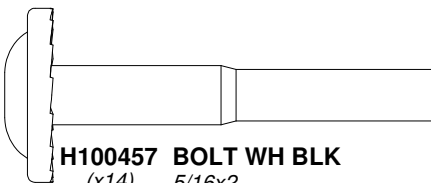
H100063 BOLT PTH
(x24) 1/4x3/4



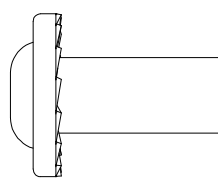
H100832 BOLT PTH BLK
(x4) (with LOCTITE)
1/4x3/4



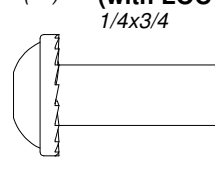
H100831 NUT BARREL PTH
(x4) BLK
1/4x3/4



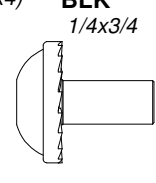
H100457 BOLT WH BLK
(x14) 5/16x2



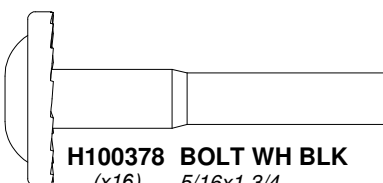
H100192 NUT BARREL WH
(x14) BLK
5/16x7/8



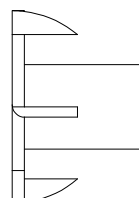
H100399 NUT BARREL WH
(x1) BLK
1/4x7/8



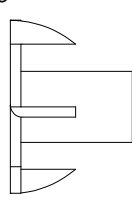
H100401 BOLT WH BLK
(x1) 1/4x1/2



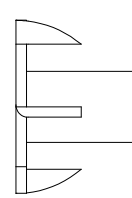
H100378 BOLT WH BLK
(x16) 5/16x1 3/4



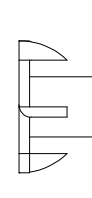
H100073 T-NUT
(x12) 3/8



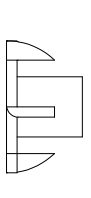
H100379 T-NUT BLK
(x113) 5/16



H100074 T-NUT
(x3) 5/16



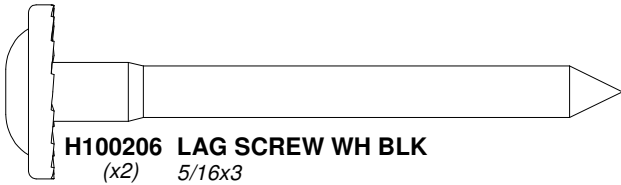
H100398 T-NUT BLK
(x2) 1/4



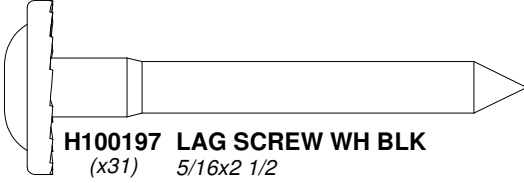
H100072 T-NUT
(x30) 1/4

Owner's Manual - Parts Identification

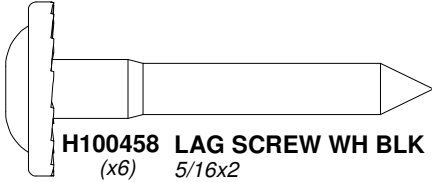
Hardware Components



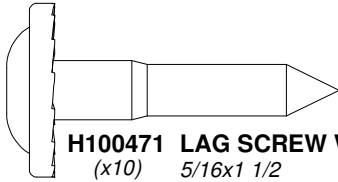
H100206 LAG SCREW WH BLK
(x2) 5/16x3



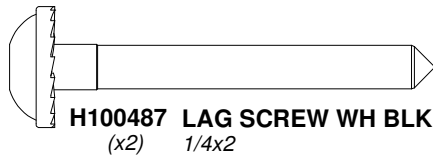
H100197 LAG SCREW WH BLK
(x31) 5/16x2 1/2



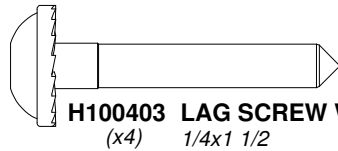
H100458 LAG SCREW WH BLK
(x6) 5/16x2



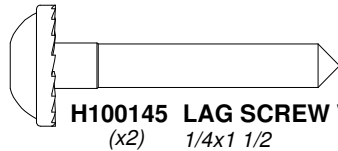
H100471 LAG SCREW WH BLK
(x10) 5/16x1 1/2



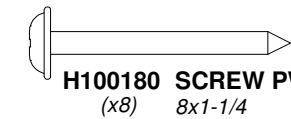
H100487 LAG SCREW WH BLK
(x2) 1/4x2



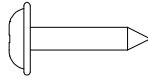
H100403 LAG SCREW WH BLK
(x4) 1/4x1 1/2



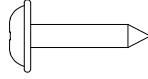
H100145 LAG SCREW WH
(x2) 1/4x1 1/2



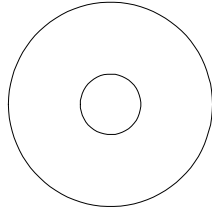
H100180 SCREW PWH
(x8) 8x1-1/4



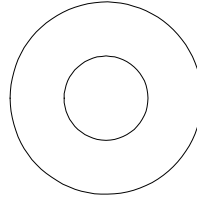
H100202 SCREW PWH BLK
(x8) 8x5/8



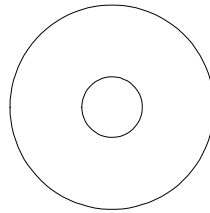
H100128 SCREW PWH
(x14) 8x5/8



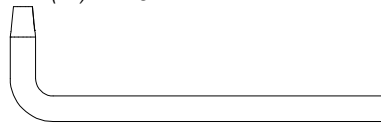
H100105 WASHER FLAT
(x3) 8x27



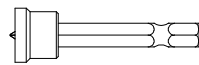
H100102 WASHER FLAT
(x12) 11x25



H100478 WASHER FLAT BLK
(x4) 8x27



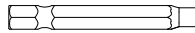
H100114 T-30 TORX WRENCH
(x1)



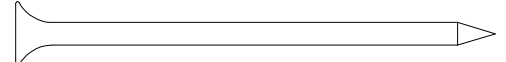
H100764 SCREW SETTER
(x1)



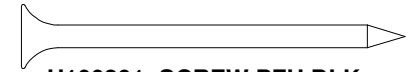
H101100 MAGNETIC DRIVER
(x1)



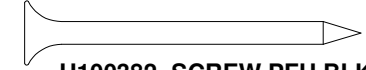
H100147 T-30 TORX BIT
(x1)



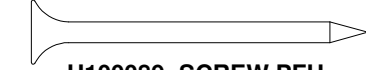
H100201 SCREW PFH BLK
(x6) 8x2-1/2



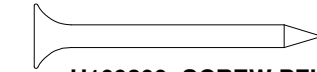
H100391 SCREW PFH BLK
(x28) 8x2



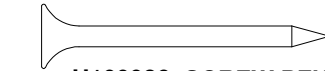
H100382 SCREW PFH BLK
(x54) 8x1 3/4



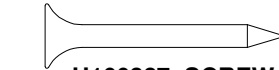
H100089 SCREW PFH
(x34) 8x1 3/4



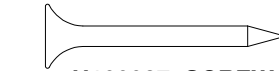
H100200 SCREW PFH BLK
(x8) 8x1 1/2



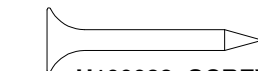
H100086 SCREW PFH
(x266) 8x1 1/2



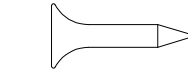
H100387 SCREW PFH BLK
(x20) 8x1 1/4



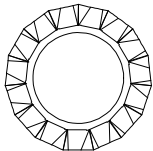
H100087 SCREW PFH
(x2) 8x1 1/4



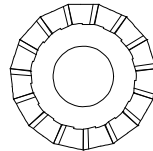
H100088 SCREW PFH
(x82) 8x1 1/8



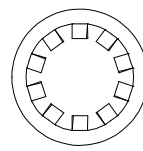
H100121 SCREW PFH
(x4) 8x3/4



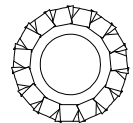
H100199 WASHER LOCK
(x2) EXT BLK
12x19



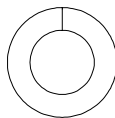
H100198 WASHER LOCK
(x136) EXT BLK
8x19



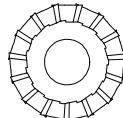
H100107 WASHER LOCK
(x12) INT
10x18



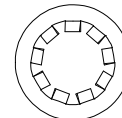
H100138 WASHER LOCK
(x8) EXT
6x15



H100477 WASHER SPLIT
(x4) BLK
5/16



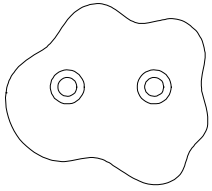
H100405 WASHER LOCK
(x6) EXT BLK
6x15



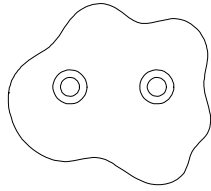
H100108 WASHER LOCK
(x24) INT
8x15

Owner's Manual - Parts Identification

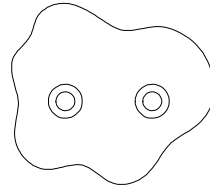
Accessory Components (Not to Scale)



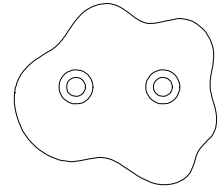
A6P00042 YELLOW HC ROCK #1
(x3)



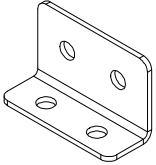
A6P00036 GREEN HC ROCK #1
(x3)



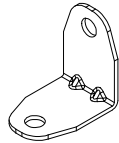
A6P00040 BLUE HC ROCK #1
(x3)



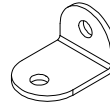
A6P00038 RED HC ROCK #1
(x3)



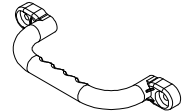
A4M00855 L BRACKET
(x2) 51x32x82x3.175



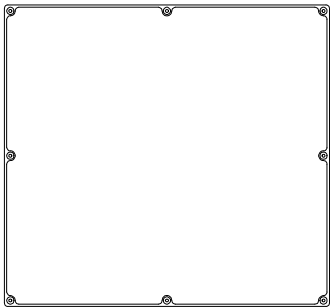
A4M01047 L BRACKET
(x2) 2.5x38x55x55



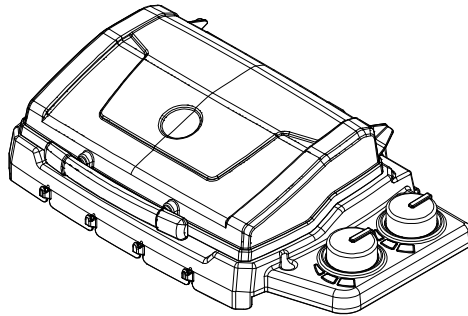
A4M00710 L BRACKET
(x2) BLACK 32x51



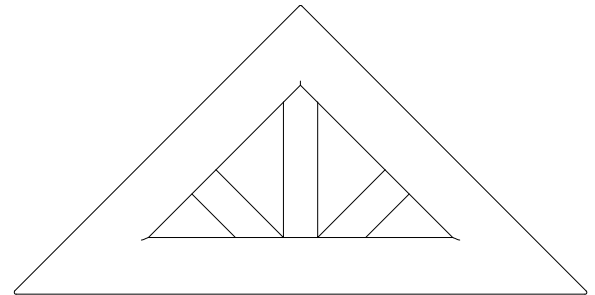
A100028 HAND GRIP
(x4) GREEN PLASTIC



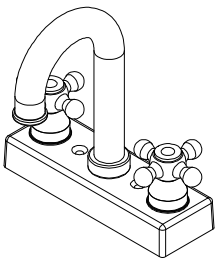
A6P00324 CHALK BOARD
(x1) LARGE



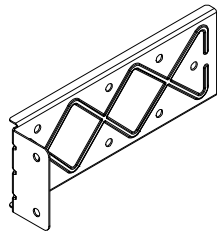
A6P00282 BBQ GRILL
(x1)



A100322 PLASTIC SUNBURST
(x2)



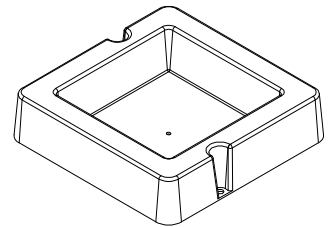
A6P00024 FAUCET KIT
(x1)



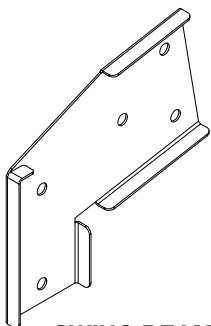
A4M01679 EXTENDED SWING BEAM BRACKET
(x2)



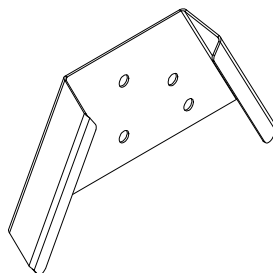
141154 GRILL FOOD SET
(x1)



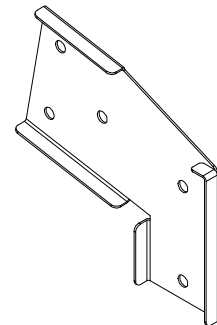
A6P00032 SURFACE MOUNT BASIN
(x1)



A4M00617 SWING BEAM EXTENSION BRACKET-LEFT
(x1)



A4M01782 A-FRAME BRACKET
(x1)

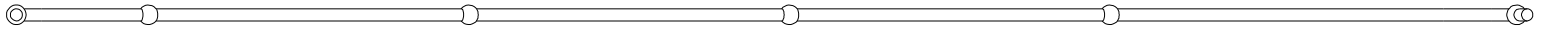
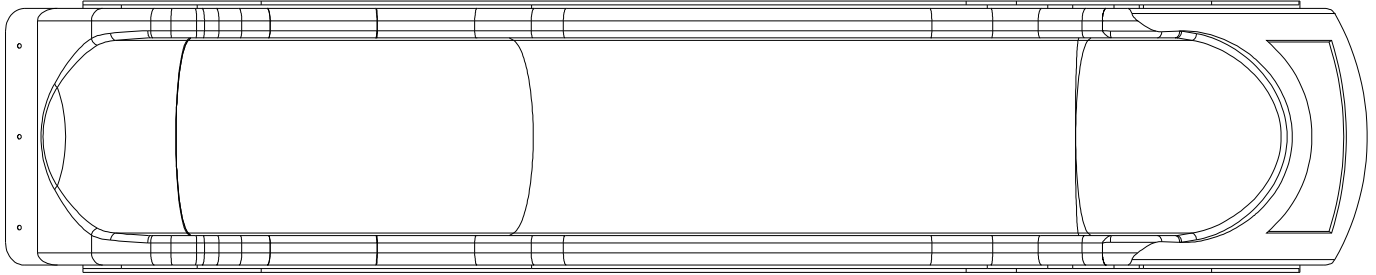


A4M00618 SWING BEAM EXTENSION BRACKET-RIGHT
(x1)

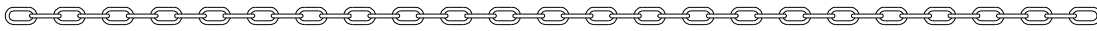
Owner's Manual - Parts Identification

Accessory Components (Not to Scale)

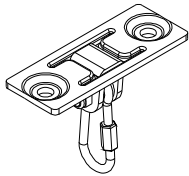
| 10 FT VACUUM FORMED SLIDE | | |
|---------------------------|--------|--------------|
| PART NUMBER | COLOR | MODEL NUMBER |
| A100287 | GREEN | 1803022B |
| A6P00540 | YELLOW | 2200272B |
| A6P00539 | GREY | 2300026B |



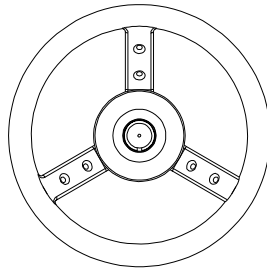
A6P00260
(x1) **CLIMBING ROPE**



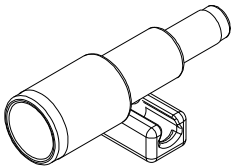
A100068
(x4) **CHAIN GREEN 51.25"**



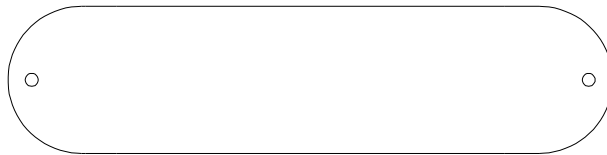
A4M00505
(x6) **SWING HANGER**



A100107
(x1) **STEERING WHEEL**



A6P00096
(x1) **TELESCOPE**



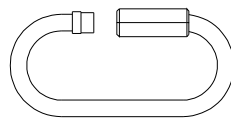
A6P00054
(x2) **SWING SEAT GREEN 22"**



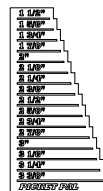
A4M01126
(x1) **26" WEB SWING SEAT**



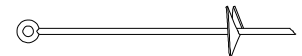
A100164
(x1) **BYD ID TAG
(LARGE) AGES
3-10**



A100069
(x4) **QUICK LINK**



A6P00410
(x1) **PICKET PAL**



A100178
(x6) **AUGER GROUND
STAKE**

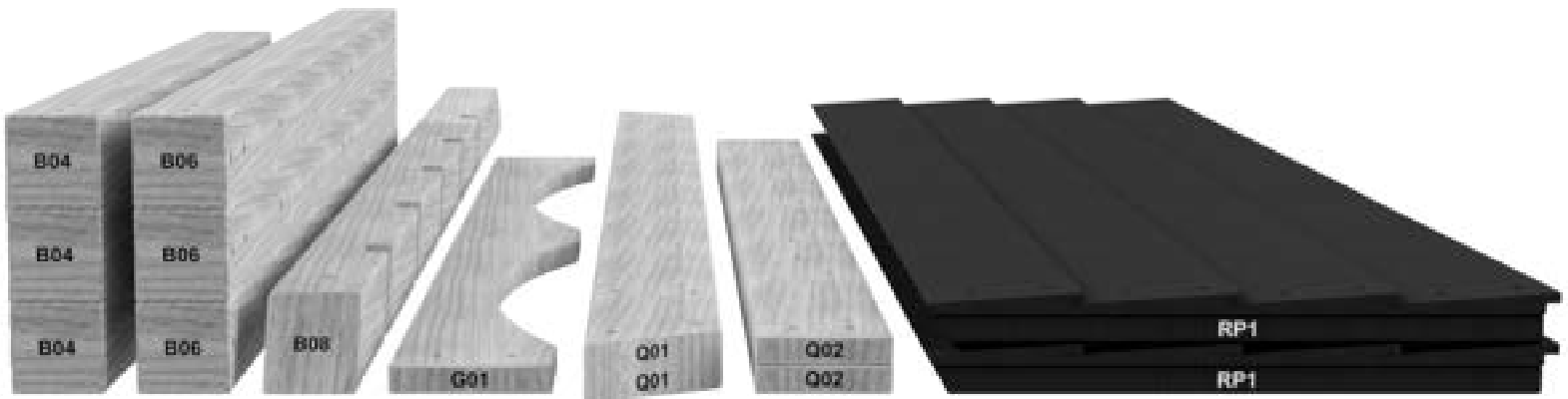
PRE-ASSEMBLY STEP 1 - SORTING PARTS

It is critical for ease of assembly that you take the time to sort and organize the wood and hardware.

WOOD PARTS:

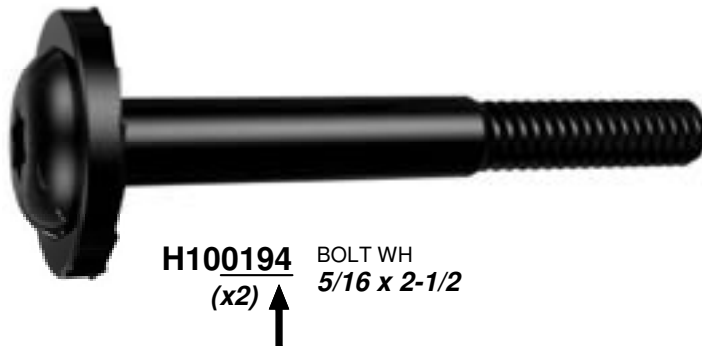
- Organize wood parts by the three-digit, alpha-numeric number stamped on each board (ex. P01).
- If there are multiple boards with the same stamped number, stack those pieces together.
- Stamps can be found on the flat surface of the boards or on the end of the boards.
- Allow yourself plenty of room - the wood pieces can take up a significant amount of space.

NOTE: CARTONS ARE NOT ORGANIZED BY BOARD NUMBER.



HARDWARE PARTS:

- We recommend that you have a separate table to organize the hardware.
- Hardware bags are printed with a seven-digit, alpha-numeric part number.
- You can organize your hardware by part number or group by hardware type (i.e. bolts, nuts, etc.).
- During assembly you only need to reference the last four digits of the number.



PRE-ASSEMBLY STEP 2 - TOOLS REQUIRED



Cordless Drill or
Electric Drill



Drill Attachments:
Phillips Head



1/8", 3/16", 3/8" & 7/16" Drill Bits



Open End Wrenches 1/2" & 9/16"



3/8" Drive Ratchet, 1/2" &
9/16" STD Sockets 1/2" & 9/16" Deep Sockets



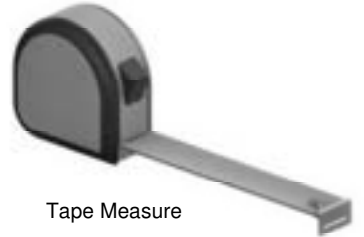
Phillips Screw Driver



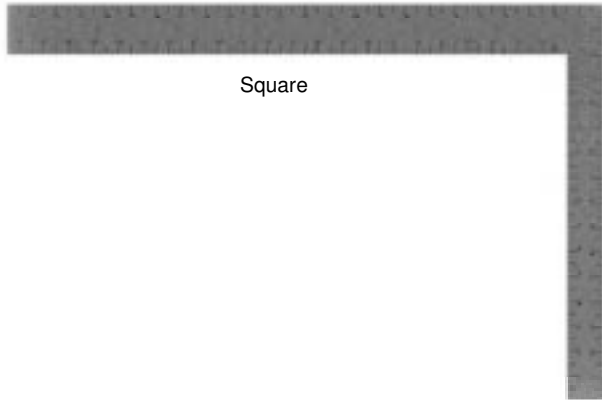
Claw Hammer



Rubber Mallet - Optional



Tape Measure



Square





Level 24"

PRE-ASSEMBLY STEP 3 - CHOOSE YOUR ASSEMBLY METHOD

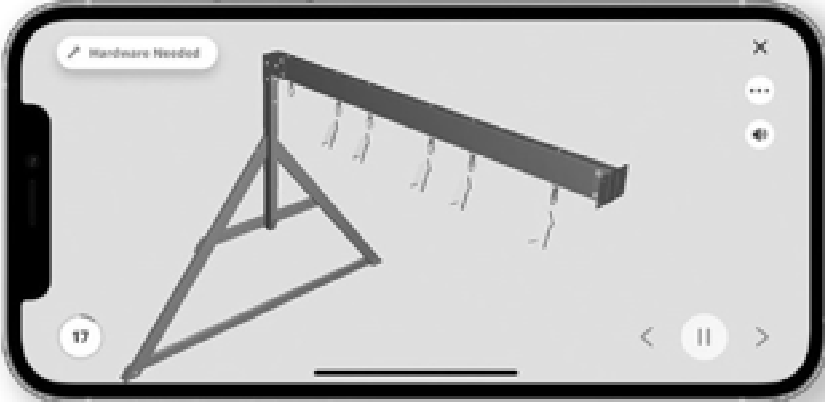

There are several types of assembly instructions available to you.

1. Printed Assembly Manual included with your set
2. BILT APP - 3D interactive instructions
3. Combination of the Printed Manual and BILT APP (Note: Step numbers can differ between the two methods)



Scan for easy 3D instructions

Download the BILT app
before you begin



The image shows a smartphone screen displaying the BILT app interface. At the top left, there is a tab labeled "Hardware Needed". The main area of the screen shows a 3D perspective view of a metal truss structure. In the bottom left corner, there is a circular icon with the number "17". In the bottom right corner, there are navigation icons: a back arrow, a pause button, and a forward arrow. The entire advertisement is enclosed in a grey border.

STEP 1 - LADDER ASSEMBLY

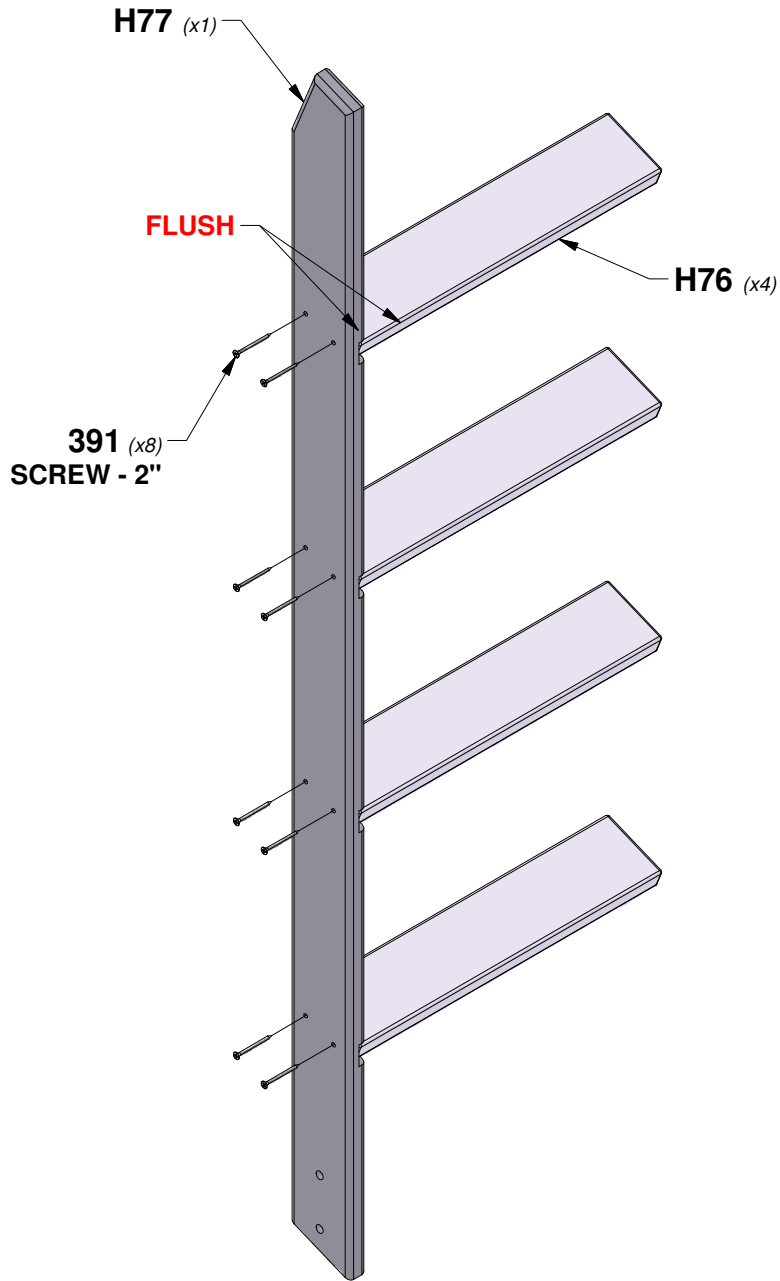
| QTY | PART NUMBER | DESCRIPTION |
|-----|-------------|-------------------|
| 8 | H100391 | SCREW PFH 8x2 BLK |



H77 LEFT UPRIGHT - W4L11173
(x1) 1"x3 3/8"x58" (24x86x1474)



H76 LADDER RUNG - W4L07620
(x4) 1"x3 3/8"x17 1/4" (24x86x437)

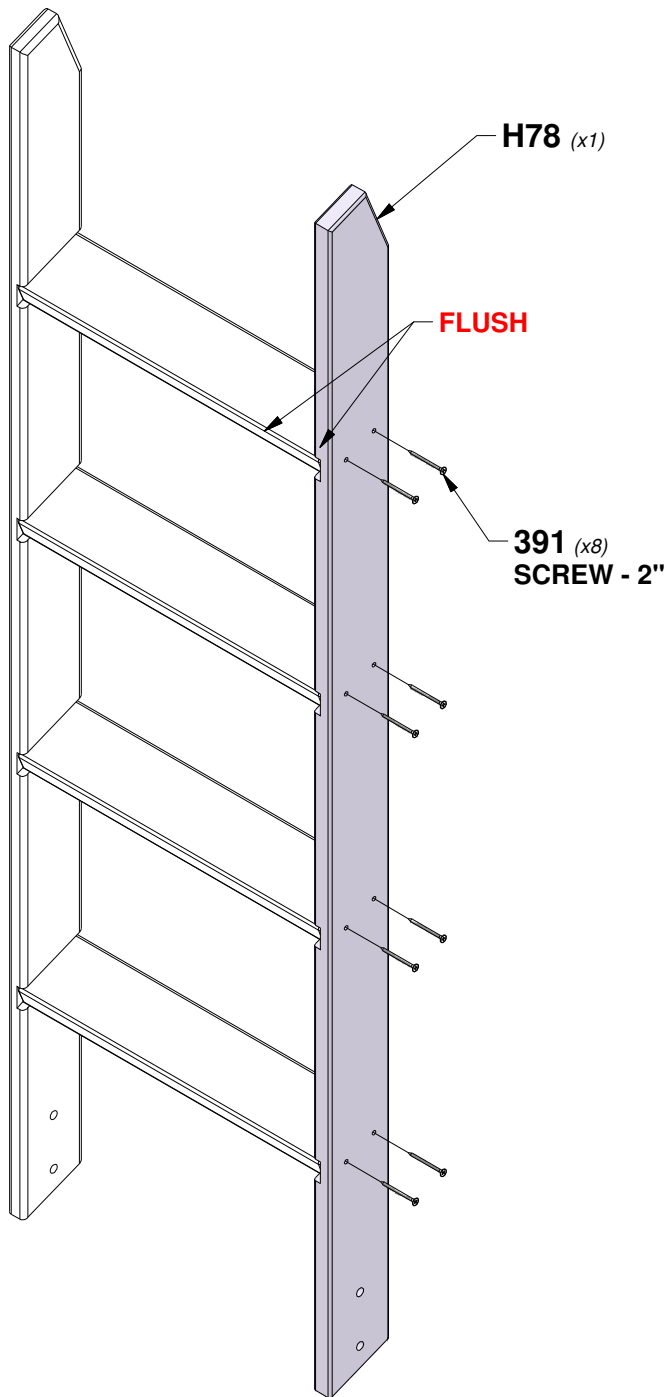


STEP 2 - LADDER ASSEMBLY

| QTY | PART NUMBER | DESCRIPTION |
|-----|-------------|-------------------|
| 8 | H100391 | SCREW PFH 8x2 BLK |



H78 RIGHT UPRIGHT - W4L11174
(x1) 1"x3 3/8"x58" (24x86x1474)



STEP 3 - LADDER ASSEMBLY

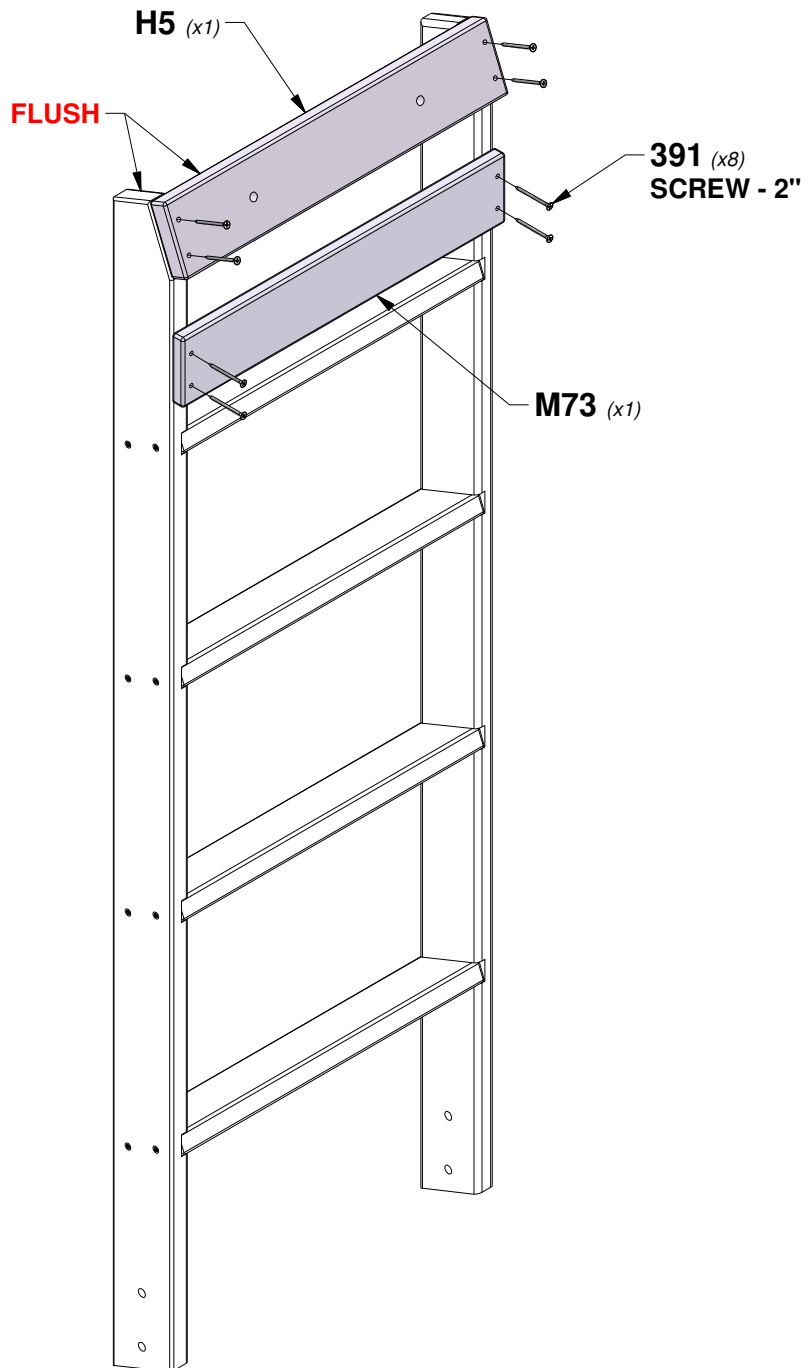
| QTY | PART NUMBER | DESCRIPTION |
|-----|-------------|-------------------|
| 8 | H100391 | SCREW PFH 8x2 BLK |



H5 ATTACHMENT BOARD - W4L17639
(x1) 1"x3 3/8"x18 1/4" (24x86x465)



M73 REAR SUPPORT - W4L07619
(x1) 5/8"x3 3/8"x18 1/4" (16x86x465)



STEP 1 - ROCK WALL ASSEMBLY

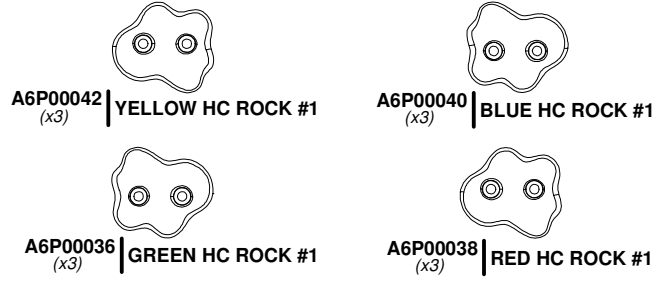
| QTY | PART NUMBER | DESCRIPTION |
|-----|-------------|----------------------|
| 24 | H100063 | BOLT PTH 1/4x3/4 |
| 24 | H100072 | T-NUT 1/4 |
| 24 | H100108 | WASHER LOCK INT 8x15 |



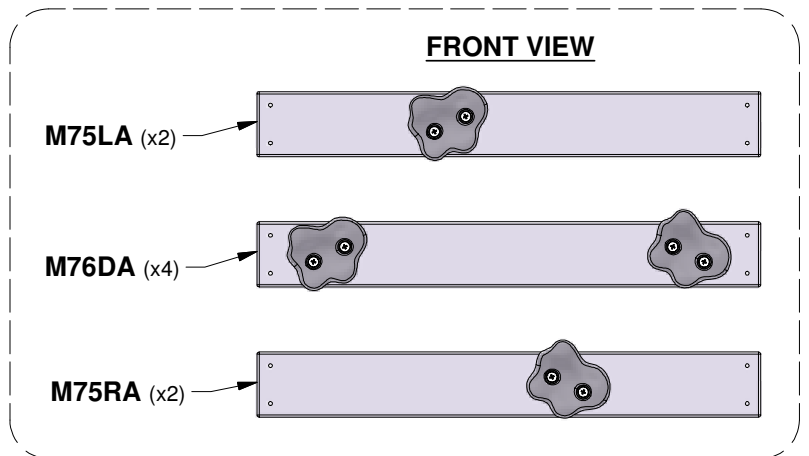
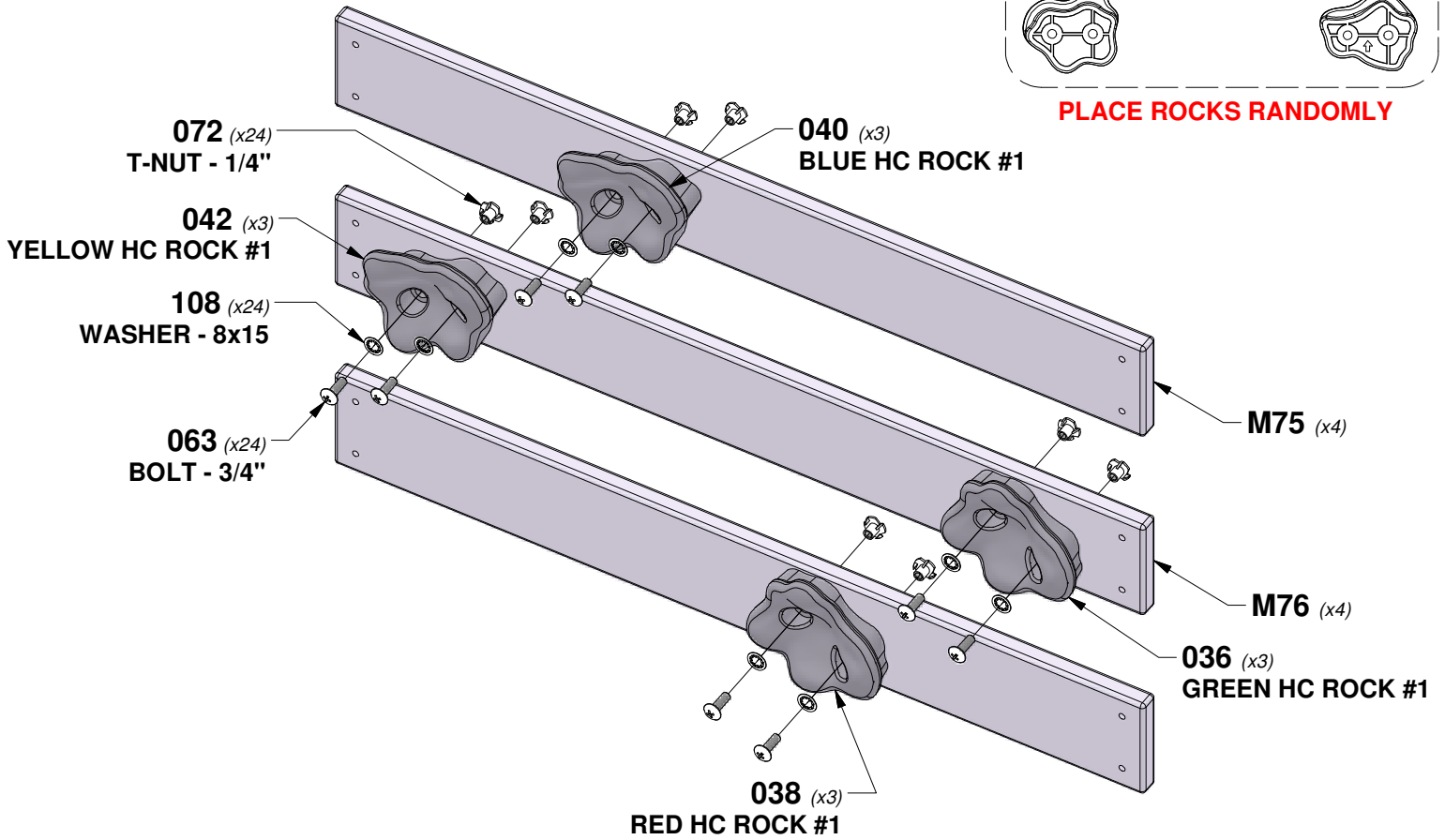
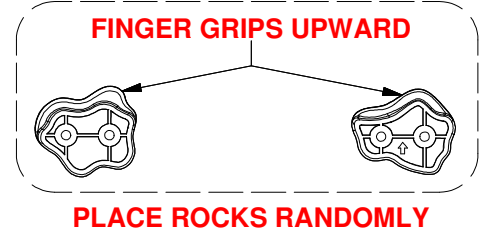
M75 ROCK WALL BOARD - W4L17811
(x4) 5/8"x3 3/8"x26 1/4" (16x86x667)



M76 ROCK WALL BOARD - W4L17812
(x4) 5/8"x3 3/8"x26 1/4" (16x86x667)

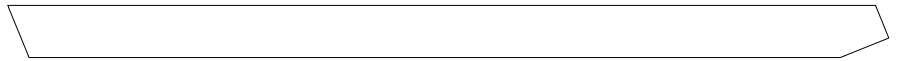
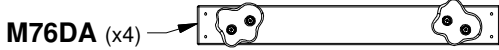
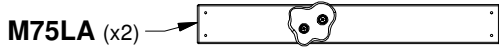


TIP:
INSTALL T-NUTS IN WOOD FIRST



STEP 2 - ROCK WALL ASSEMBLY

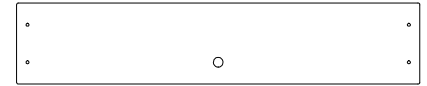
| QTY | PART NUMBER | DESCRIPTION |
|-----|-------------|--------------------|
| 64 | H100086 | SCREW PFH 8x1-1/2" |



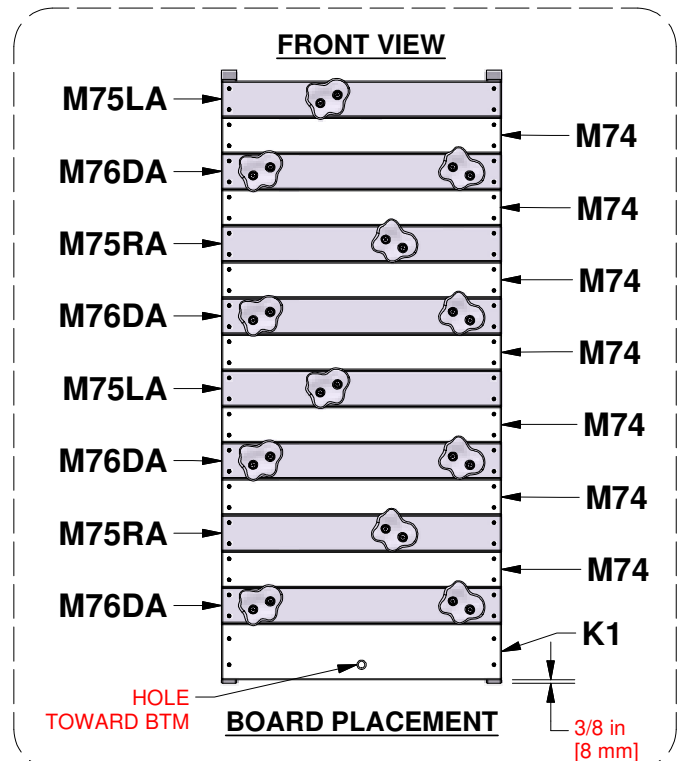
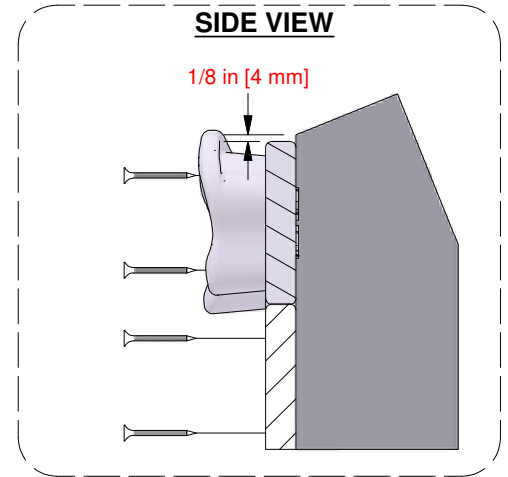
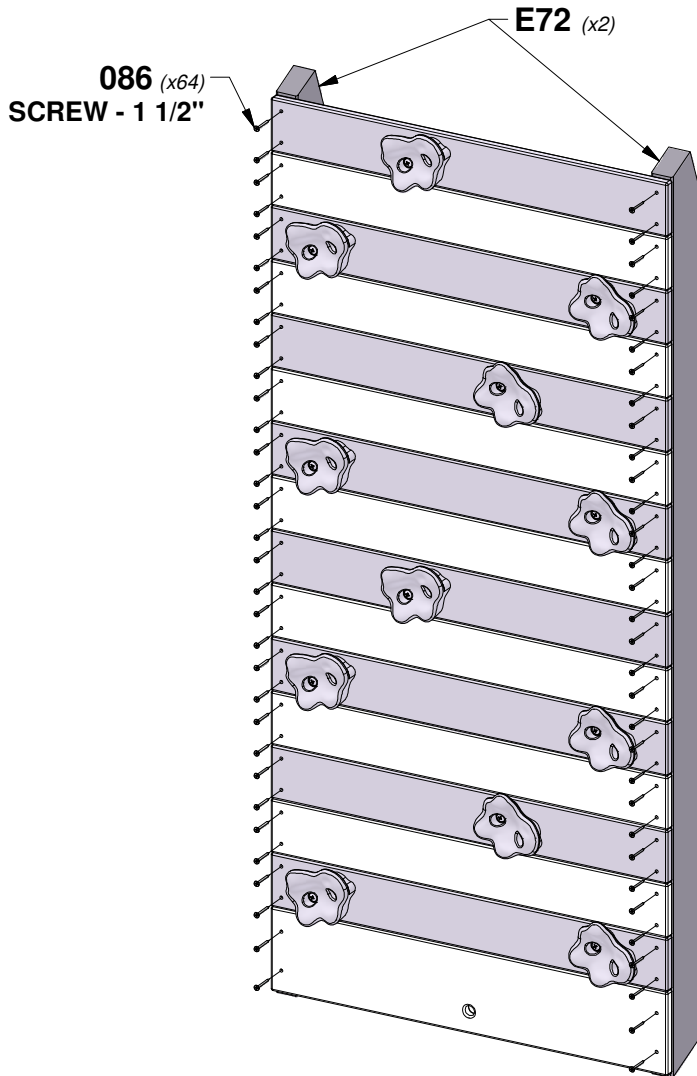
E72 RAIL - W4L17808
(x2) 1 3/8"x3 3/8"x57 3/8" (36x86x1457)



M74 ROCK WALL BOARD - W4L17810
(x7) 5/8"x3 3/8"x26 1/4" (16x86x667)



K1 ROCK WALL BOARD - W4L17813
(x1) 5/8"x5 1/4"x26 1/4" (16x134x667)

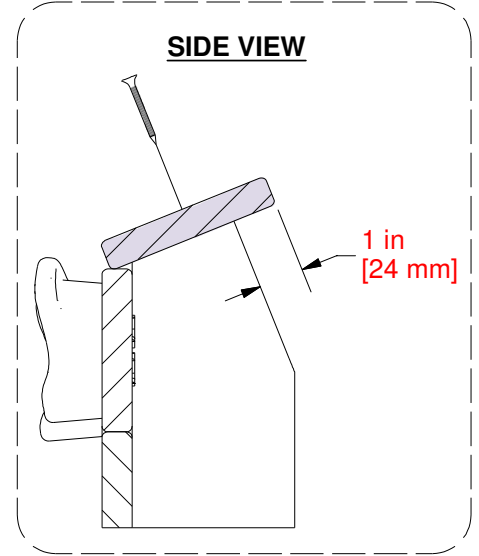
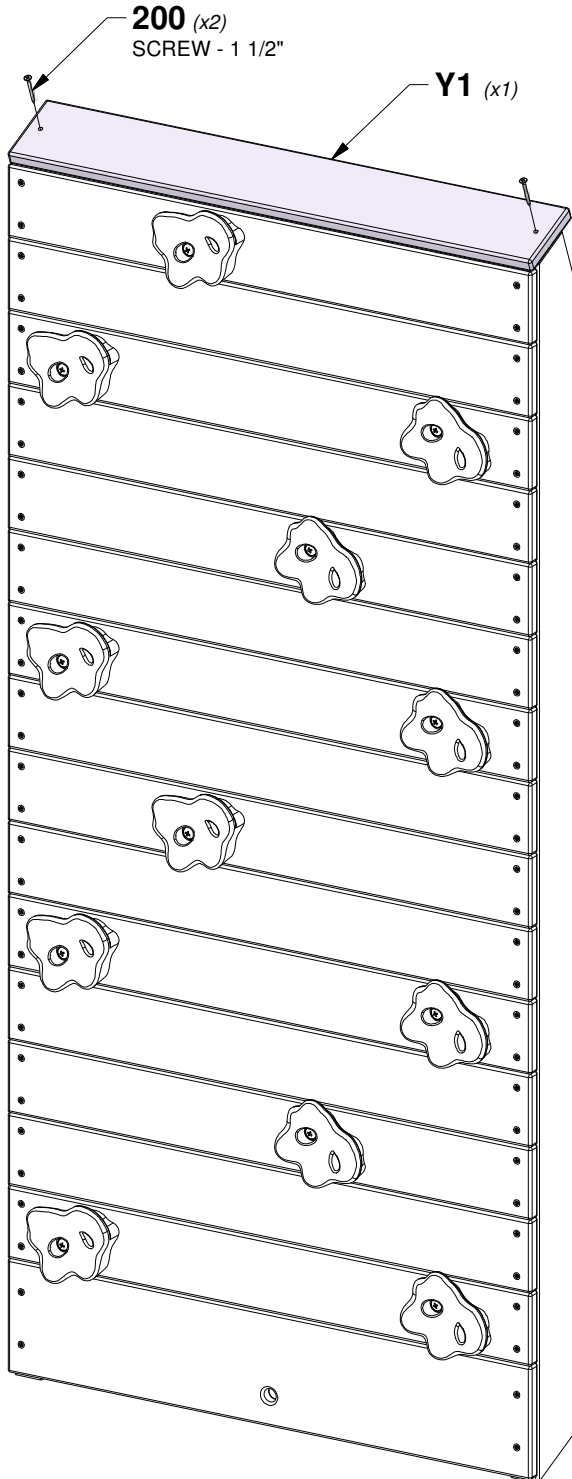


STEP 3 - ROCK WALL ASSEMBLY

| QTY | PART NUMBER | DESCRIPTION |
|-----|-------------|-----------------------|
| 2 | H100200 | SCREW PFH 8x1-1/2 BLK |



Y1 TOP BOARD - W4L17809
(x1) 5/8"x3 3/4"x26 1/4" (16x94x667)



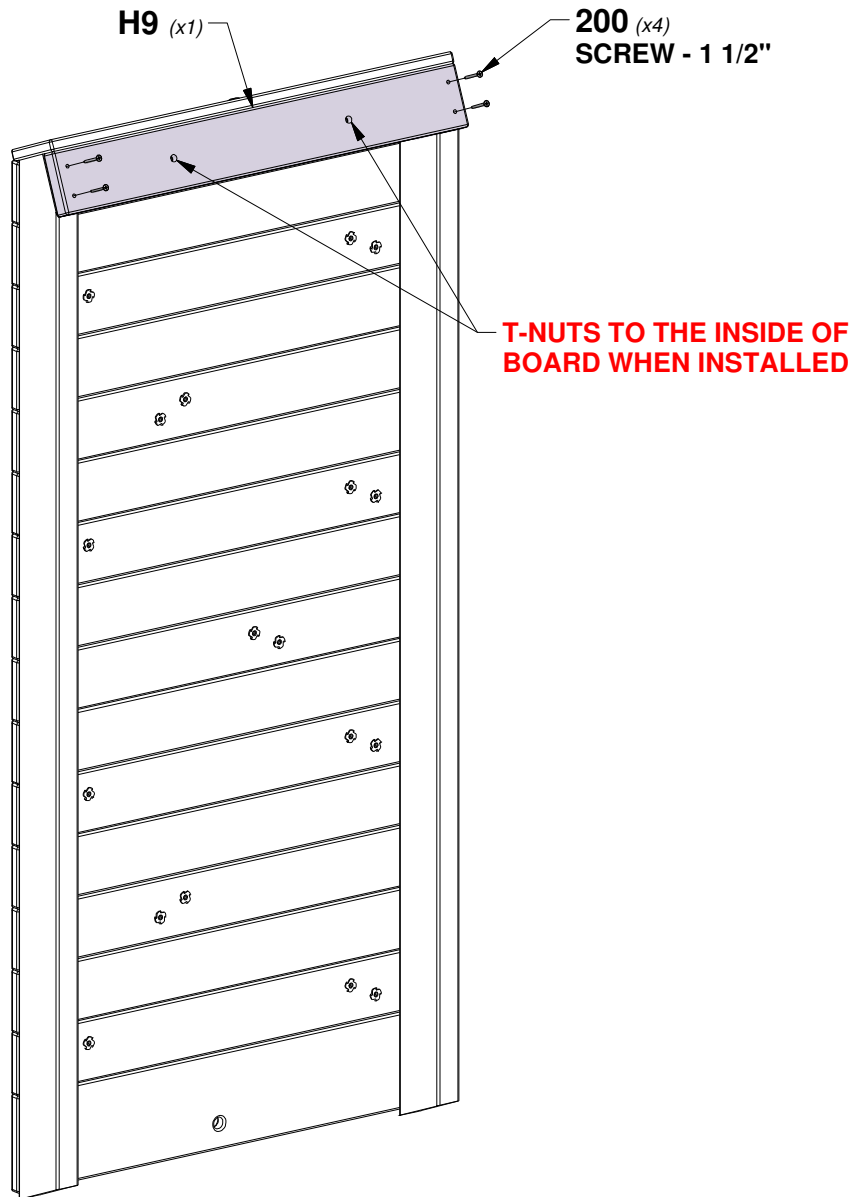
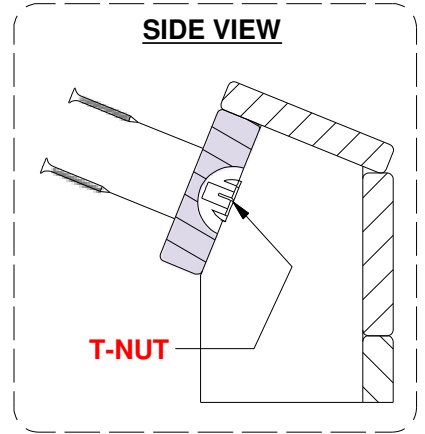
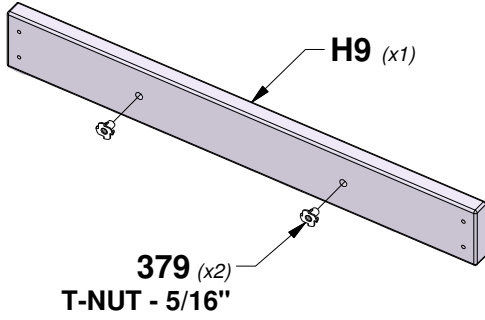
STEP 4 - ROCK WALL ASSEMBLY

| QTY | PART NUMBER | DESCRIPTION |
|-----|-------------|-----------------------|
| 4 | H100200 | SCREW PFH 8x1-1/2 BLK |
| 2 | H100379 | T-NUT 5/16 BLK |



H9 ATTACHMENT BOARD - W4L17814
 (x1) 1"x3 3/8"x26 1/4" (24x86x667)

TIP:
INSTALL T-NUTS IN WOOD FIRST

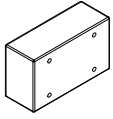


STEP 1 - SWING BEAM ASSEMBLY

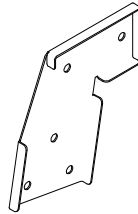
| QTY | PART NUMBER | DESCRIPTION |
|-----|-------------|----------------------------|
| 10 | H100192 | NUT BARREL WH 5/16x7/8 BLK |
| 10 | H100416 | BOLT WH 5/16x3 BLK |



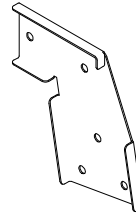
A1 SWING BEAM EXTENDED - W4L17819
(x1) 3 3/8"x5 1/4"x89 1/2" (86x134x2274)



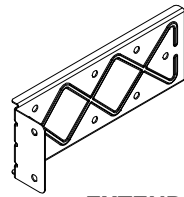
A2 SB 9" BLOCK - W4L17820
(x1) 3 3/8"x5 1/4"x9" (86x134x228)



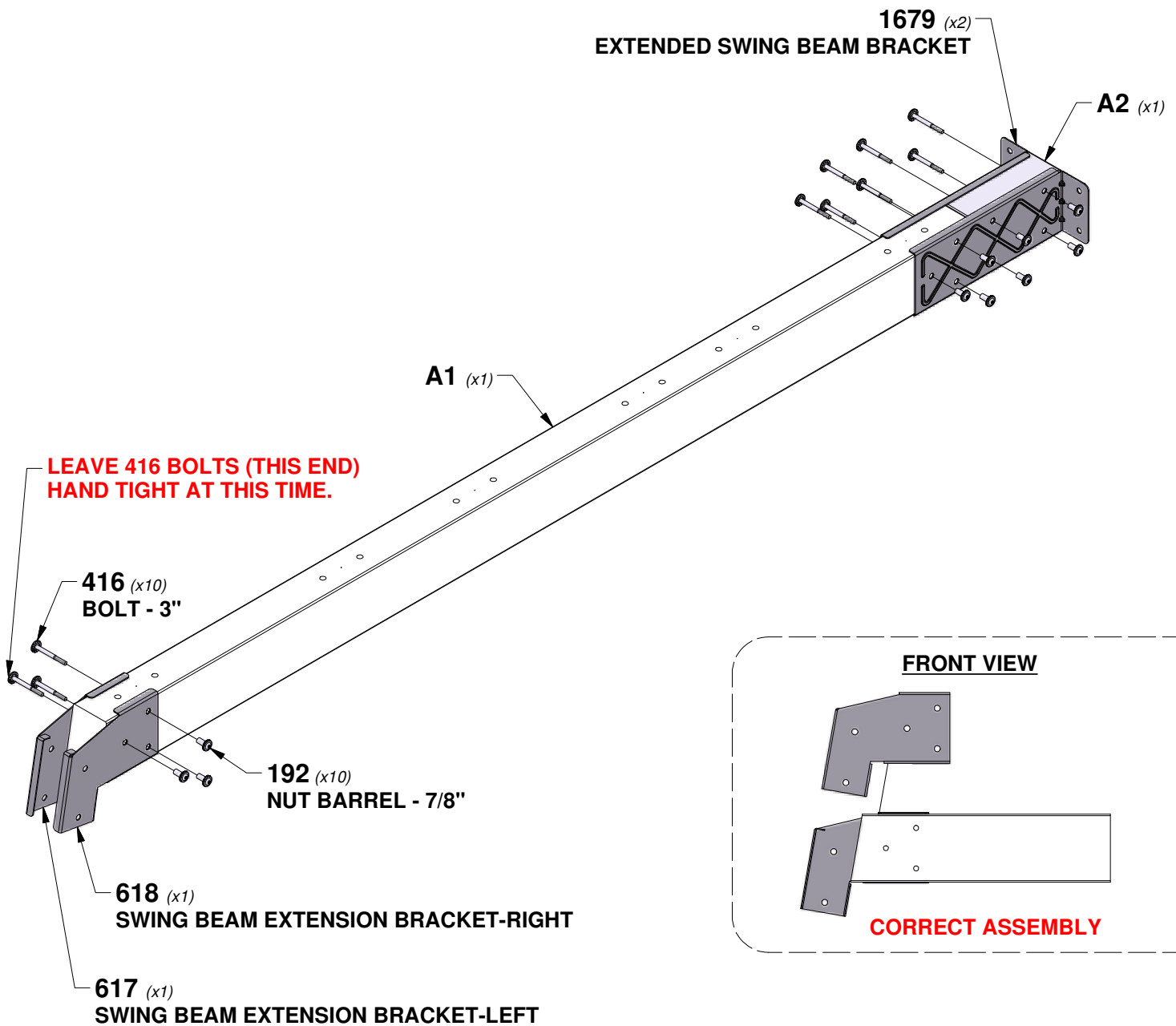
A4M00618 SWING BEAM EXTENSION BRACKET-RIGHT
(x1)



A4M00617 SWING BEAM EXTENSION BRACKET-LEFT
(x1)

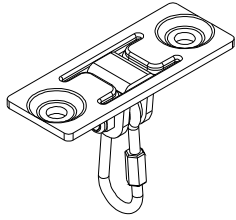


A4M01679 EXTENDED SWING BEAM BRACKET
(x2)



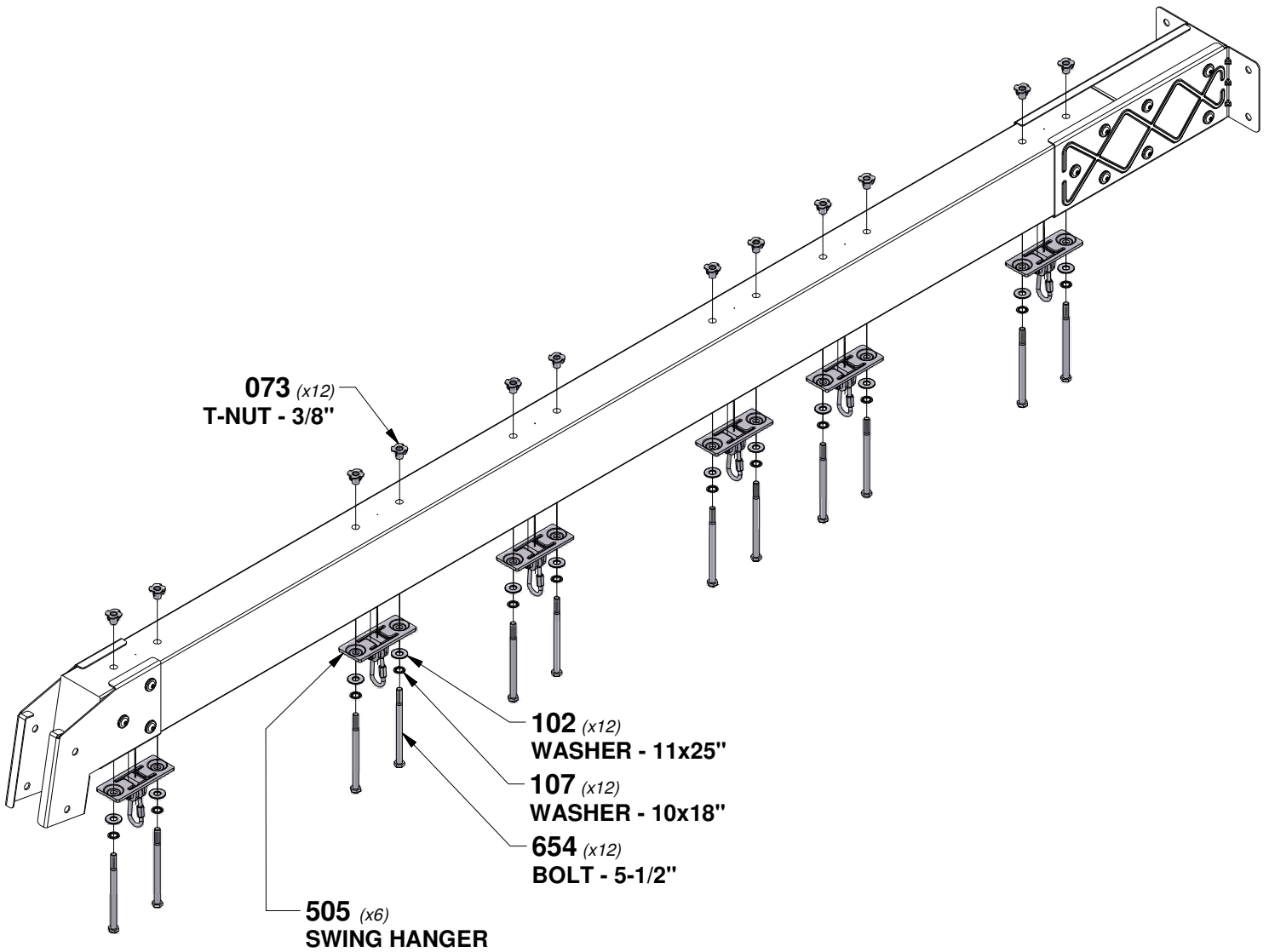
STEP 2 - SWING BEAM ASSEMBLY

| QTY | PART NUMBER | DESCRIPTION |
|-----|-------------|-----------------------|
| 12 | H100073 | T-NUT 3/8 |
| 12 | H100102 | WASHER FLAT 11x25 |
| 12 | H100107 | WASHER LOCK INT 10x18 |
| 12 | H100654 | BOLT HEX 3/8x5-1/2 |



A4M00505
(x6) **SWING HANGER**

TIP:
INSTALL T-NUTS IN WOOD FIRST

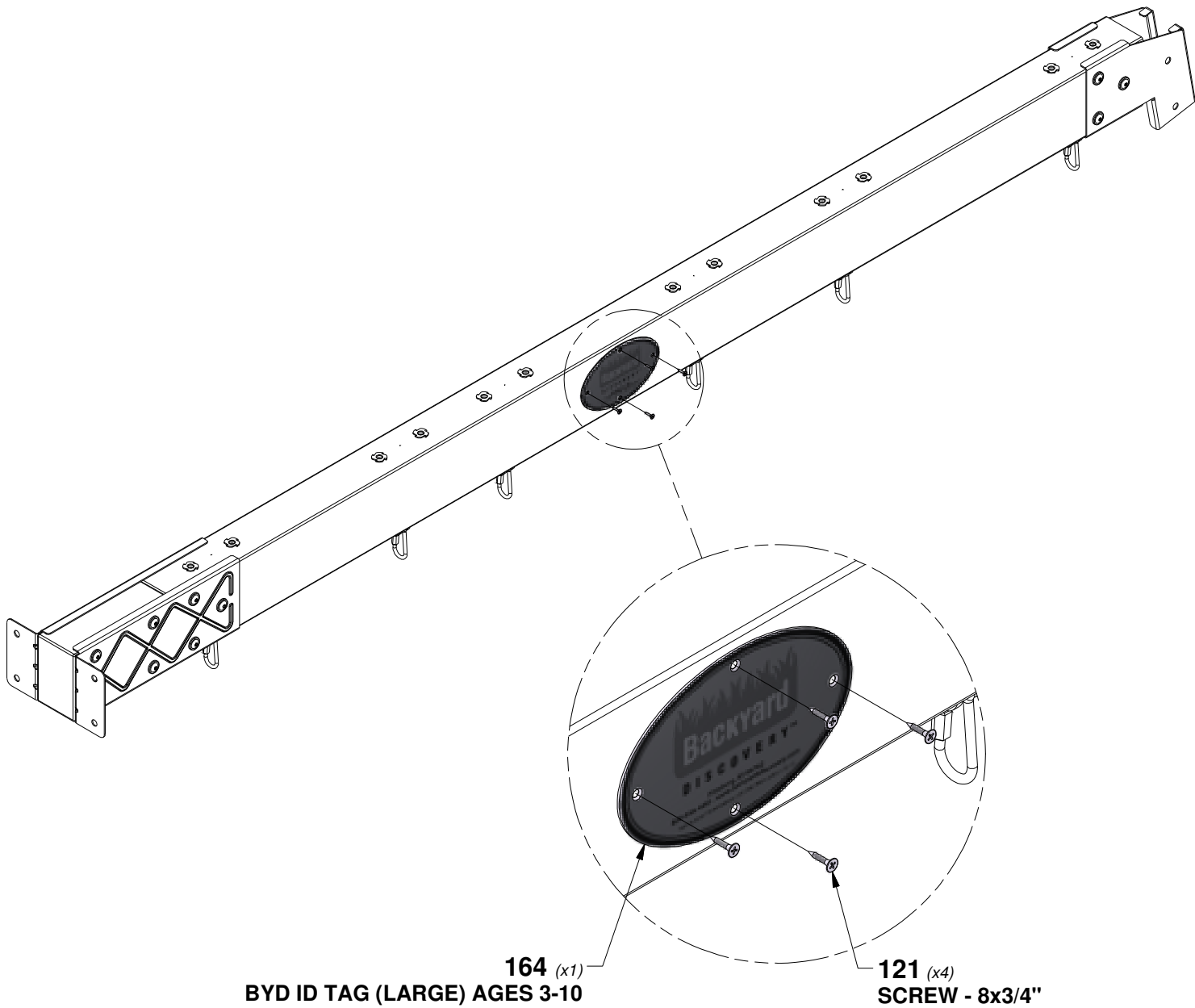


STEP 3 - SWING BEAM ASSEMBLY

| QTY | PART NUMBER | DESCRIPTION |
|-----|-------------|-----------------|
| 4 | H100121 | SCREW PFH 8x3/4 |

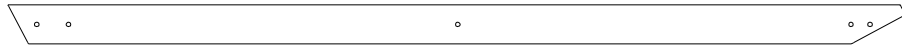


A100164 BYD ID TAG (LARGE) AGES 3-10
(x1)



STEP 4 - SWING BEAM ASSEMBLY

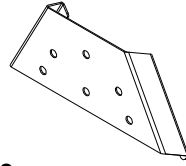
| QTY | PART NUMBER | DESCRIPTION |
|-----|-------------|------------------------|
| 6 | H100379 | T-NUT 5/16 BLK |
| 4 | H100407 | BOLT WH 5/16x1 1/2 BLK |
| 2 | H100503 | BOLT WH 5/16x3-1/2 BLK |



E77 ANGLE BRACE - W4L17625
(x2) 1 3/8"x3 3/8"x78" (36x86x1980)

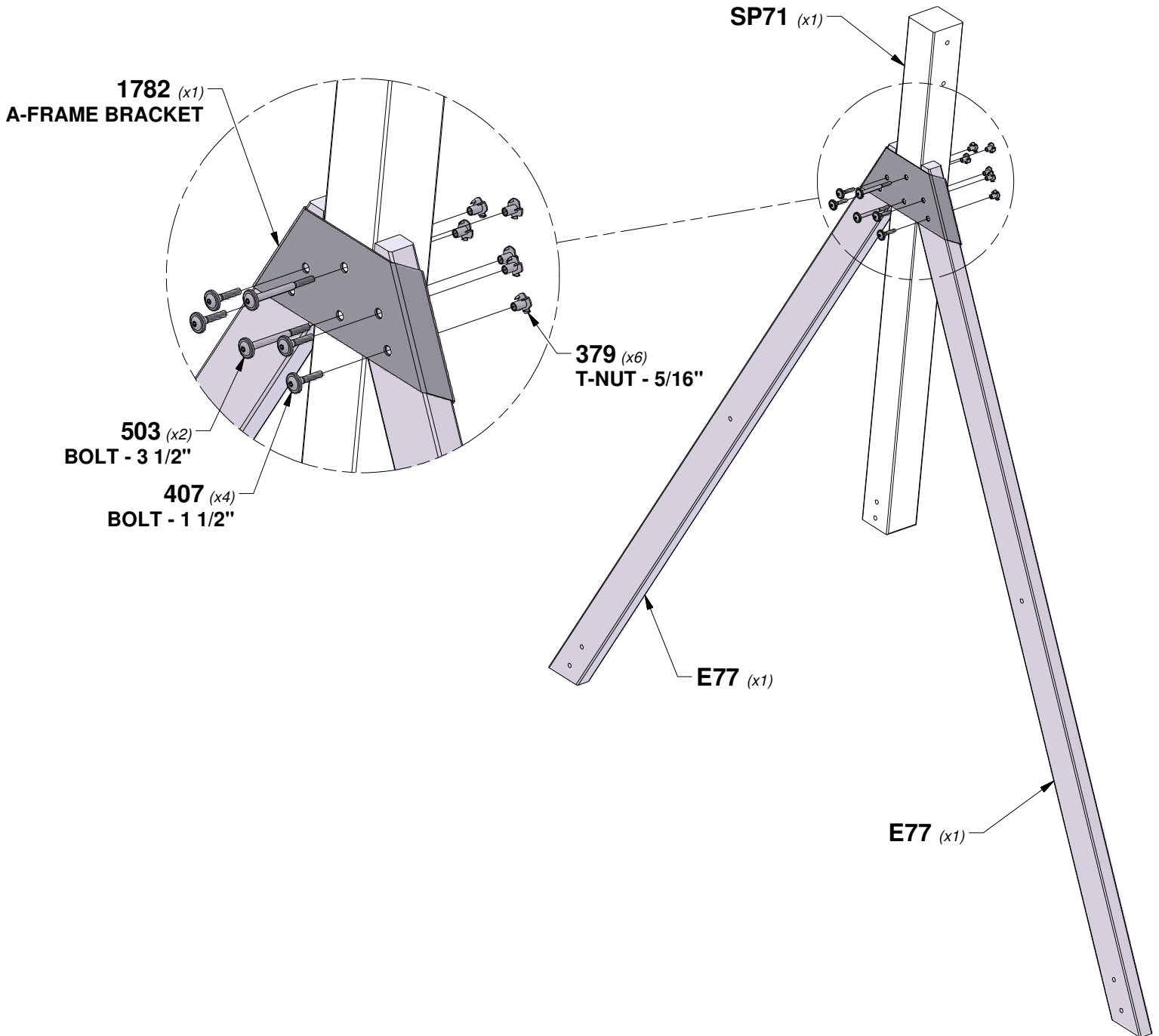


SP71 SWING BEAM SUPPORT - W4L17638
(x1) 3 3/8"x3 3/8"x49 1/2" (86x86x1256)

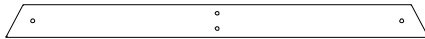


A4M01782 A-FRAME BRACKET
(x1)

TIP:
INSTALL T-NUTS IN WOOD FIRST



STEP 5 - SWING BEAM ASSEMBLY



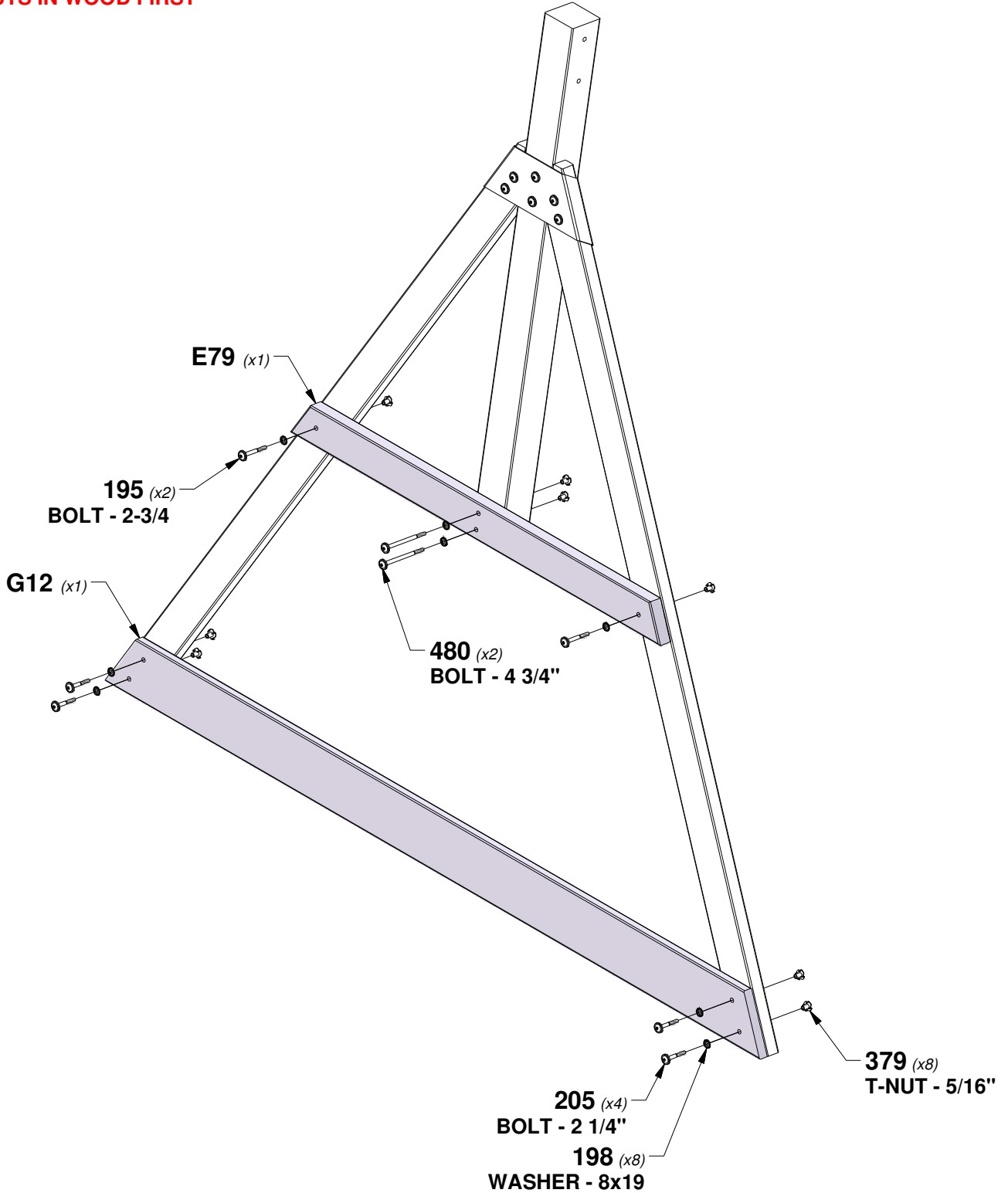
E79 END SUPPORT - W4L17626
(x1) 1 1/2"x3 1/2"x44" (36x86x1120)



G12 GROUND BOARD - W4L17627
(x1) 1"x5 1/4"x78 1/8" (24x134x1984)

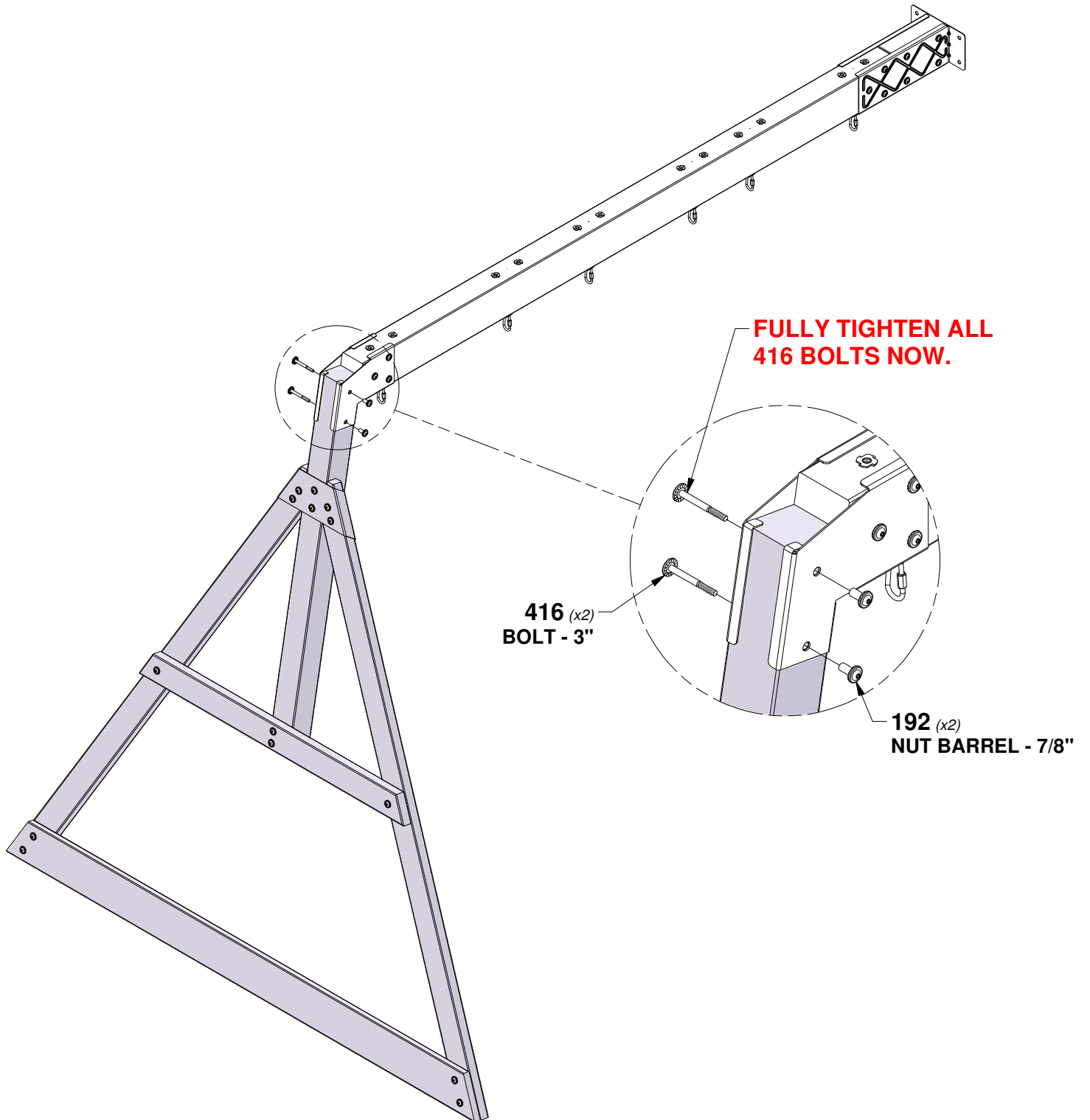
| QTY | PART NUMBER | DESCRIPTION |
|-----|-------------|--------------------------|
| 2 | H100195 | BOLT WH 5/16x2-3/4 BLK |
| 8 | H100198 | WASHER LOCK EXT 8x19 BLK |
| 4 | H100205 | BOLT WH 5/16x2-1/4 BLK |
| 8 | H100379 | T-NUT 5/16 BLK |
| 2 | H100480 | BOLT WH 5/16x4 3/4 BLK |

TIP:
INSTALL T-NUTS IN WOOD FIRST



STEP 6 - SWING BEAM ASSEMBLY

| QTY | PART NUMBER | DESCRIPTION |
|-----|-------------|----------------------------|
| 2 | H100192 | NUT BARREL WH 5/16x7/8 BLK |
| 2 | H100416 | BOLT WH 5/16x3 BLK |



STEP 1 - FORT ASSEMBLY

| QTY | PART NUMBER | DESCRIPTION |
|-----|-------------|--------------------------|
| 4 | H100195 | BOLT WH 5/16x2-3/4 BLK |
| 8 | H100198 | WASHER LOCK EXT 8x19 BLK |
| 12 | H100379 | T-NUT 5/16 BLK |
| 4 | H100457 | BOLT WH 5/16x2 BLK |



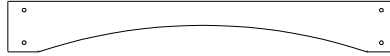
E7 RIGHT REAR UPRIGHT - W4L17831
 (x1) 1 3/8"x3 3/8"x43 1/2" (36x86x1104)



E9 RIGHT FRONT UPRIGHT - W4L17833
 (x1) 1 3/8"x3 3/8"x43 1/2" (36x86x1104)

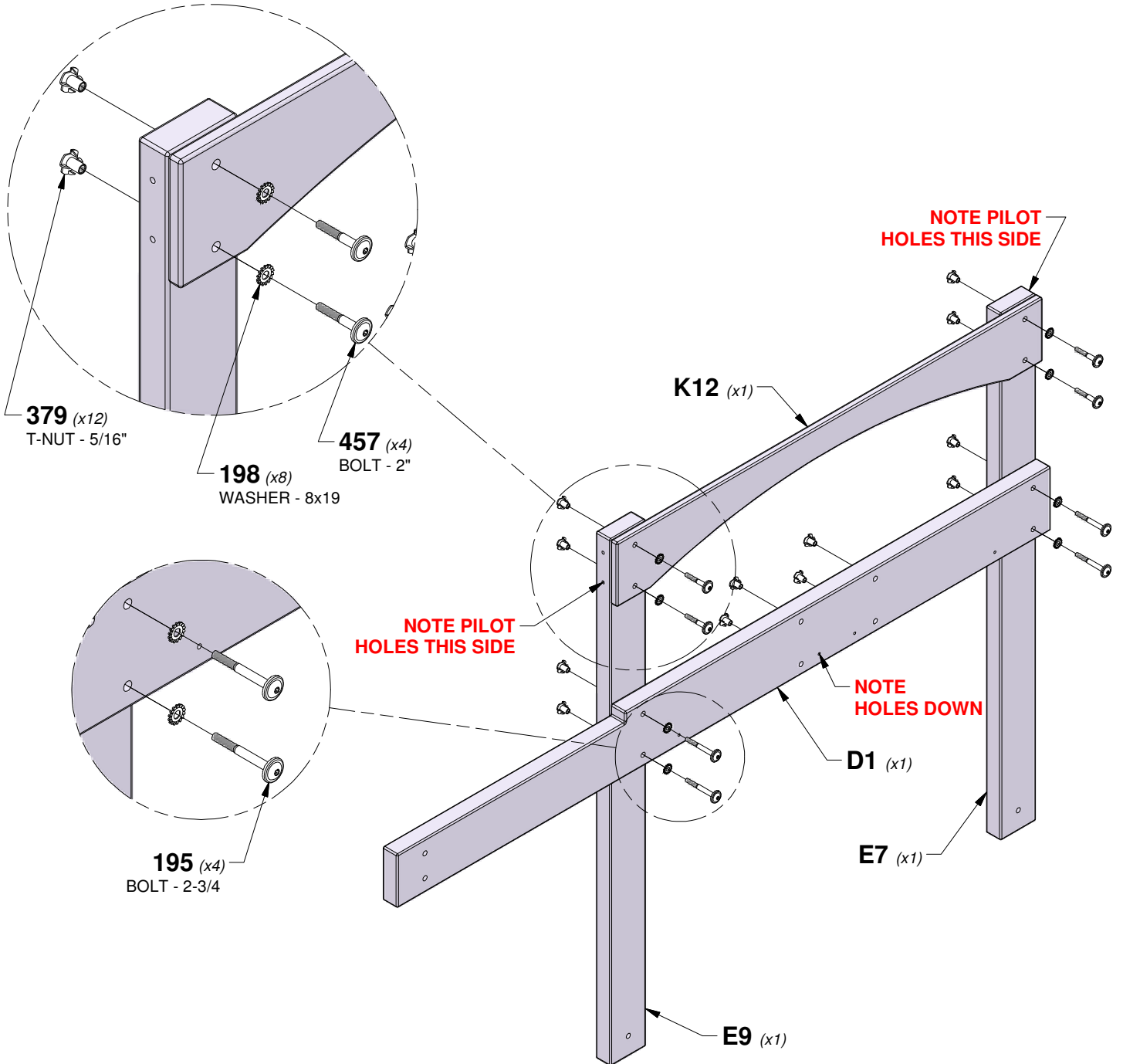


D1 SWING BEAM MOUNT - W4L17652
 (x1) 1 3/8"x5 1/4"x62 3/8" (36x134x1585)



K12 ARCHED WALL RAIL - W4L11143
 (x1) 5/8"x5 1/4"x40 5/8" (16x134x1032)

TIP:
INSTALL T-NUTS IN WOOD FIRST

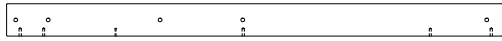


STEP 2 - FORT ASSEMBLY

| QTY | PART NUMBER | DESCRIPTION |
|-----|-------------|--------------------------|
| 6 | H100198 | WASHER LOCK EXT 8x19 BLK |
| 6 | H100205 | BOLT WH 5/16x2-1/4 BLK |
| 6 | H100379 | T-NUT 5/16 BLK |



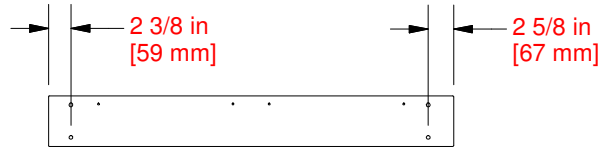
G5 RIGHT CENTER WALL RAIL - W4L17644
(x1) 1"x5 1/4"x63 3/8" (24x134x1609)



E4 RIGHT FRONT UPRIGHT - W4L17825
(x1) 1 3/8"x3 3/8"x51 3/4" (36x86x1314)

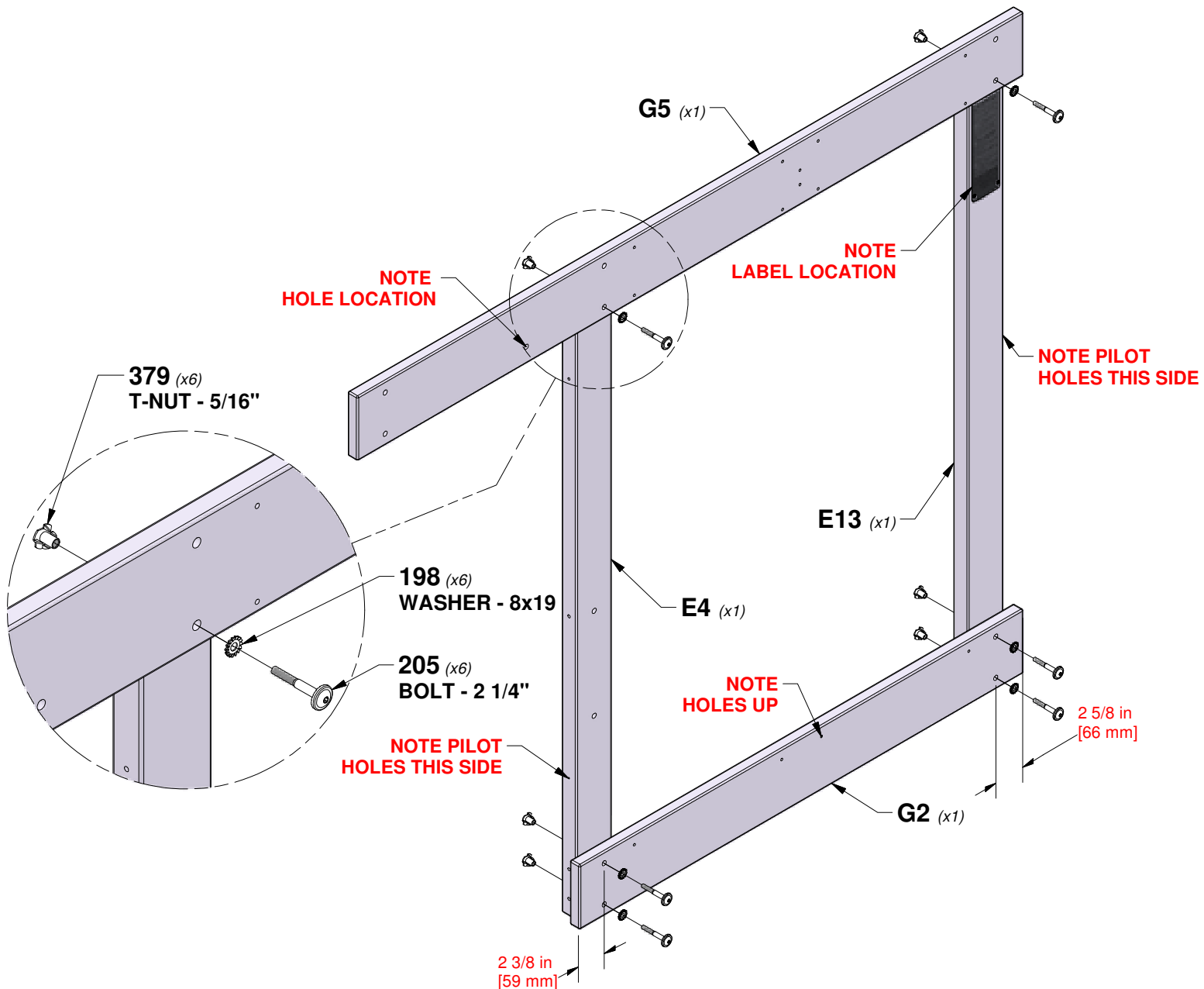


E13 RIGHT REAR UPRIGHT ASSEMBLY - W2A03847
(x1) 1 3/8"x3 3/8"x51 3/4" (36x86x1314)



G2 GROUND BOARD - W4L17641
(x1) 1"x5 1/4"x42 1/4" (24x134x1072)

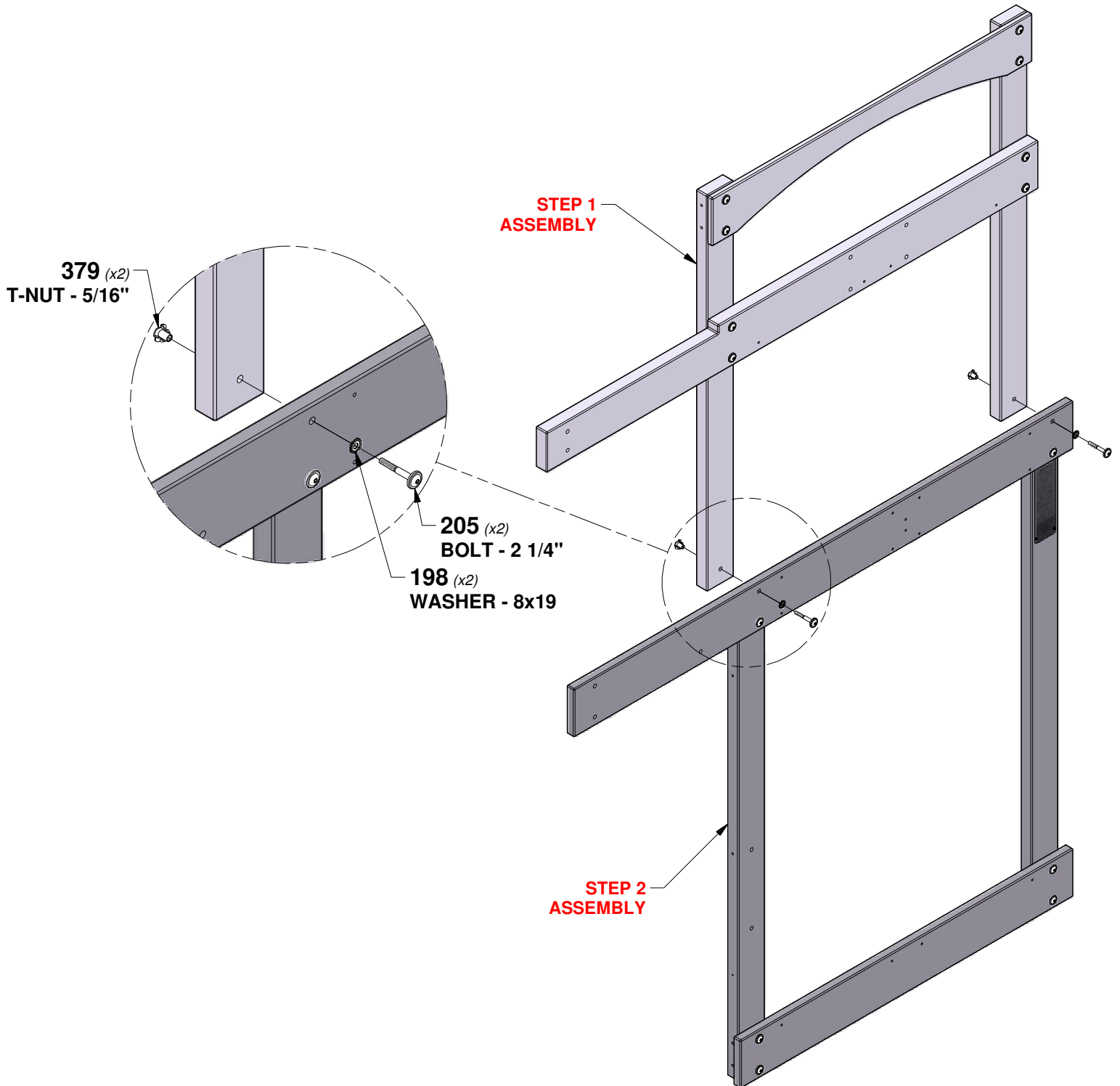
TIP:
INSTALL T-NUTS IN WOOD FIRST



STEP 3 - FORT ASSEMBLY

| QTY | PART NUMBER | DESCRIPTION |
|-----|-------------|--------------------------|
| 2 | H100198 | WASHER LOCK EXT 8x19 BLK |
| 2 | H100205 | BOLT WH 5/16x2-1/4 BLK |
| 2 | H100379 | T-NUT 5/16 BLK |

TIP:
INSTALL T-NUTS IN WOOD FIRST

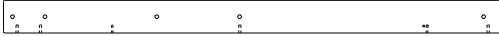


STEP 4 - FORT ASSEMBLY

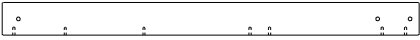
| QTY | PART NUMBER | DESCRIPTION |
|-----|-------------|--------------------------|
| 12 | H100198 | WASHER LOCK EXT 8x19 BLK |
| 8 | H100205 | BOLT WH 5/16x2-1/4 BLK |
| 12 | H100379 | T-NUT 5/16 BLK |
| 4 | H100457 | BOLT WH 5/16x2 BLK |



E2 LEFT REAR UPRIGHT - W4L17823
(x1) 1 3/8"x3 3/8"x51 3/4" (36x86x1314)



E3 LEFT FRONT UPRIGHT - W4L17824
(x1) 1 3/8"x3 3/8"x51 3/4" (36x86x1314)



E6 LEFT REAR UPRIGHT - W4L17830
(x1) 1 3/8"x3 3/8"x43 1/2" (36x86x1104)



E8 LEFT FRONT UPRIGHT - W4L17832
(x1) 1 3/8"x3 3/8"x43 1/2" (36x86x1104)



G3 GROUND BOARD - W4L17642
(x1) 1"x5 1/4"x42 1/4" (24x134x1072)

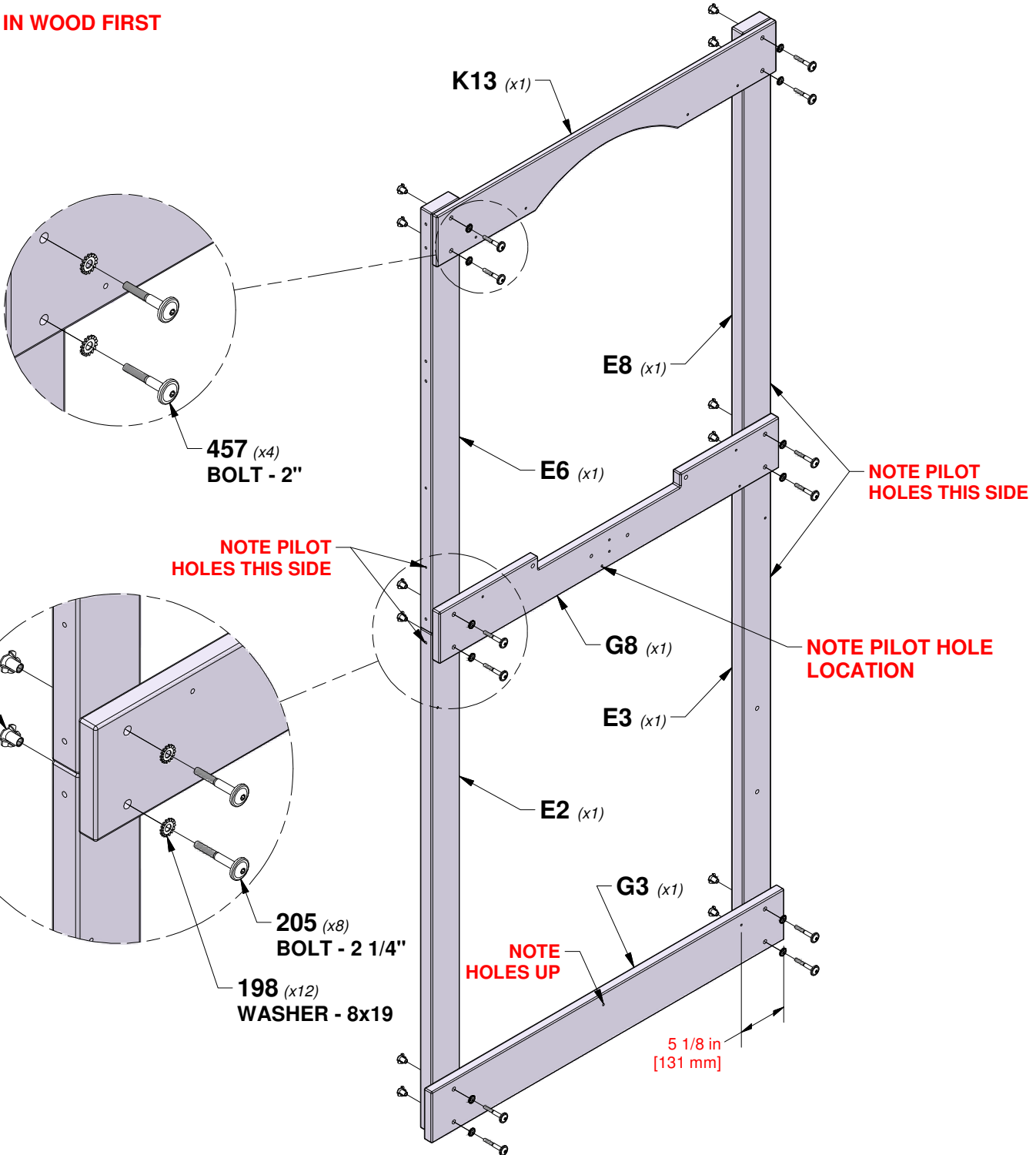


G8 LEFT CENTER WALL RAIL - W4L17647
(x1) 1"x5 1/4"x40 5/8" (24x134x1032)



K13 ARCHED WALL RAIL - W4L11144
(x1) 5/8"x5 1/4"x40 5/8" (16x134x1032)

TIP:
INSTALL T-NUTS IN WOOD FIRST



STEP 5 - FORT ASSEMBLY

| QTY | PART NUMBER | DESCRIPTION |
|-----|-------------|-----------------------------|
| 3 | H100197 | LAG SCREW WH 5/16x2-1/2 BLK |
| 12 | H100198 | WASHER LOCK EXT 8x19 BLK |
| 2 | H100206 | LAG SCREW WH 5/16x3 BLK |
| 2 | H100458 | LAG SCREW WH 5/16x2 BLK |
| 6 | H100471 | LAG SCREW WH 5/16x1-1/2 BLK |



G6 FRONT CENTER WALL RAIL - W4L17645
(x1) 1"x5 1/4"x61 3/4" (24x134x1570)



K4 GROUND BOARD - W4L11116
(x1) 5/8"x5 1/4"x40 1/2" (16x134x1030)



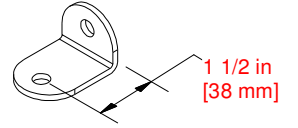
K15 ANGLED WALL RAIL - W4L11146
(x1) 5/8"x5 1/4"x45 3/4" (16x134x1162)



M1 WALL RAIL - W4L11154
(x1) 5/8"x3 3/8"x40 1/2" (16x86x1030)



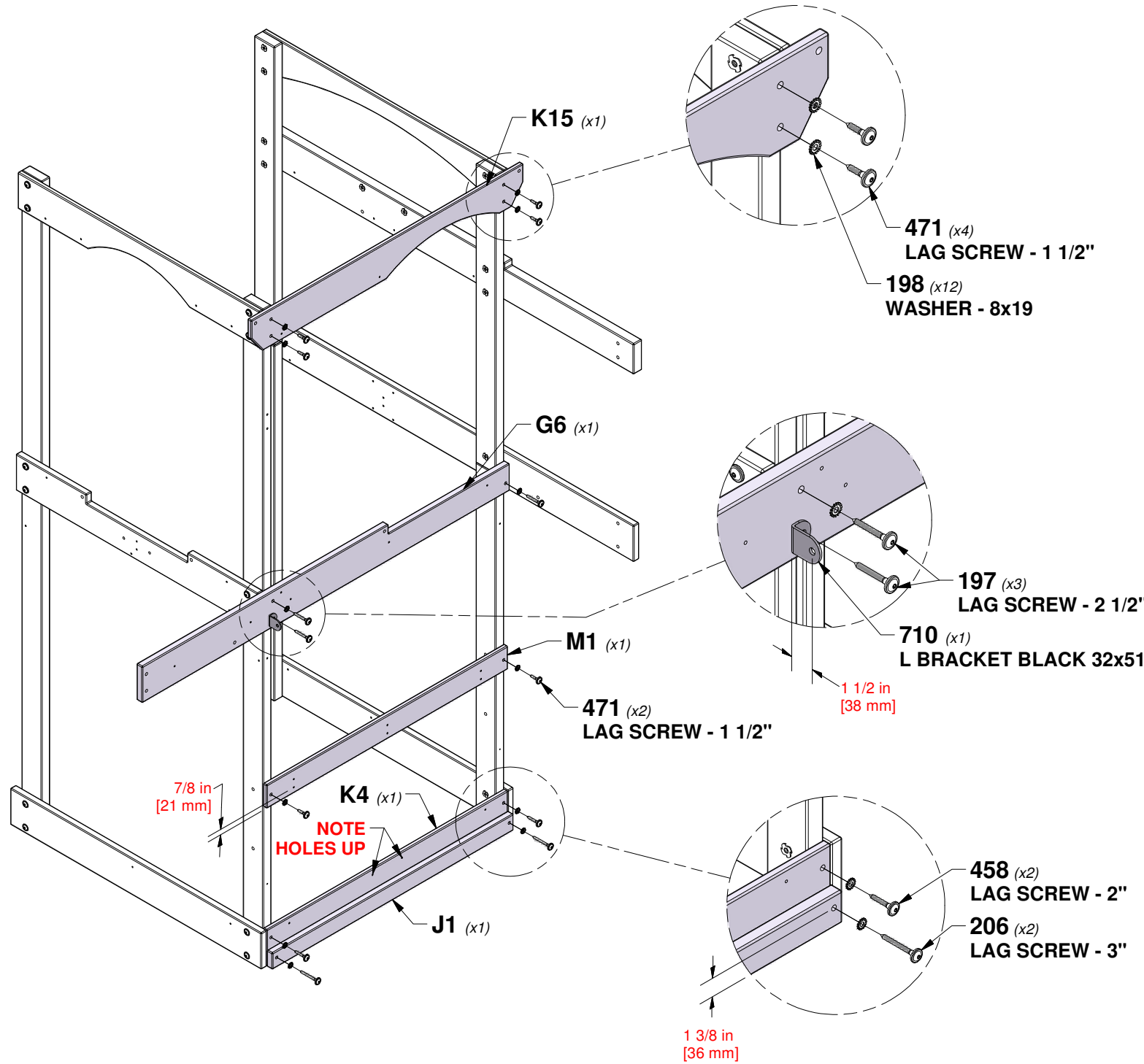
J1 PORCH GROUND BOARD - W4L11128
(x1) 1"x2 3/8"x40 1/2" (24x60x1030)



A4M00710 L BRACKET BLACK 32x51
(x1)

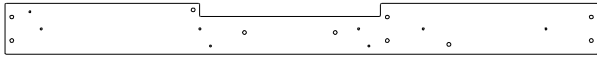
7/8 in
[21 mm]

1 3/8 in
[36 mm]

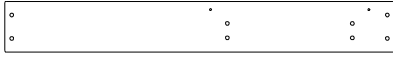


STEP 6 - FORT ASSEMBLY

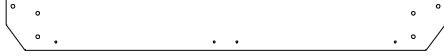
| QTY | PART NUMBER | DESCRIPTION |
|-----|-------------|-----------------------------|
| 8 | H100197 | LAG SCREW WH 5/16x2-1/2 BLK |
| 12 | H100198 | WASHER LOCK EXT 8x19 BLK |
| 4 | H100471 | LAG SCREW WH 5/16x1-1/2 BLK |
| 2 | H100379 | T-NUT 5/16 BLK |



G7 REAR CENTER WALL RAIL - W4L17646
(x1) 1"x5 1/4"x61 3/4" (24x134x1570)

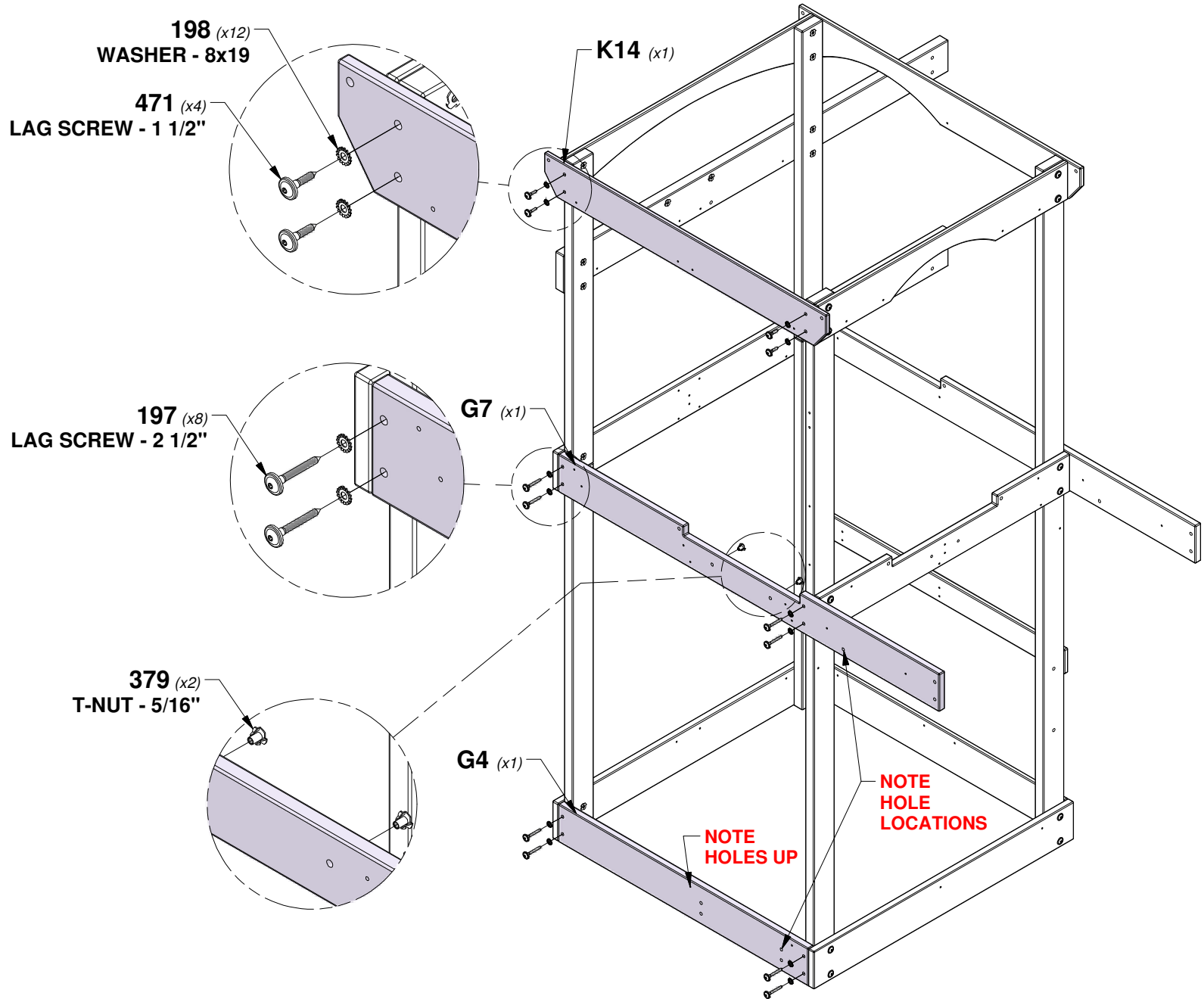


G4 GROUND BOARD - W4L17643
(x1) 1"x5 1/4"x40 1/2" (24x134x1030)



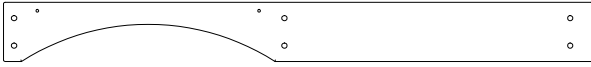
K14 ANGLED WALL RAIL - W4L11145
(x1) 5/8"x5 1/4"x45 3/4" (16x134x1162)

TIP:
INSTALL T-NUTS IN WOOD FIRST



STEP 7 - FORT ASSEMBLY

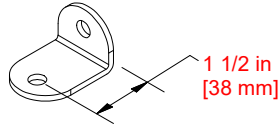
| QTY | PART NUMBER | DESCRIPTION |
|-----|-------------|-----------------------------|
| 4 | H100197 | LAG SCREW WH 5/16x2-1/2 BLK |
| 3 | H100198 | WASHER LOCK EXT 8x19 BLK |



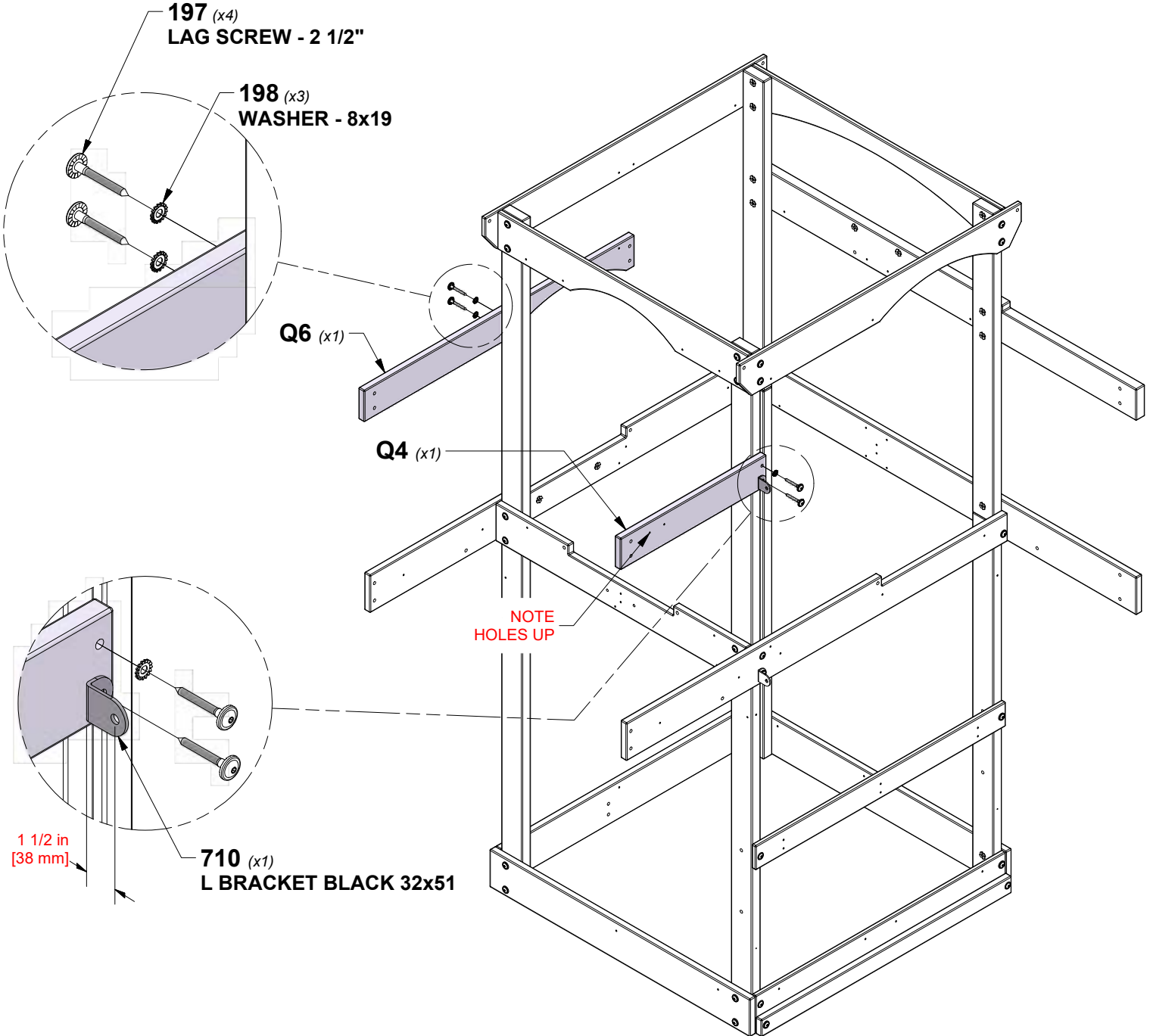
Q6 **ARCHED WALL RAIL - W4L17656**
(x1) 1"x4 3/8"x43 7/8" (24x112x1113)



Q4 **WALL RAIL - W4L17654**
(x1) 1"x4 3/8"x23 5/8" (24x112x600)



A4M00710 **L BRACKET**
(x1) **BLACK 32x51**



STEP 8 - FORT ASSEMBLY

| QTY | PART NUMBER | DESCRIPTION |
|-----|-------------|-----------------------------|
| 8 | H100197 | LAG SCREW WH 5/16x2-1/2 BLK |
| 16 | H100198 | WASHER LOCK EXT 8x19 BLK |
| 8 | H100205 | BOLT WH 5/16x2-1/4 BLK |
| 8 | H100379 | T-NUT 5/16 BLK |

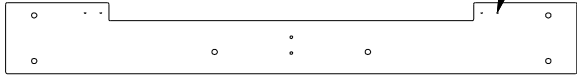


F1 RIGHT BALCONY UPRIGHT - W4L17806
(x1) 1 3/8"x2 3/8"x31 3/4" (36x60x805)

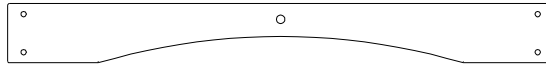


F2 LEFT BALCONY UPRIGHT - W4L17807
(x1) 1 3/8"x2 3/8"x31 3/4" (36x60x805)

PILOT HOLES INWARD WHEN INSTALLED

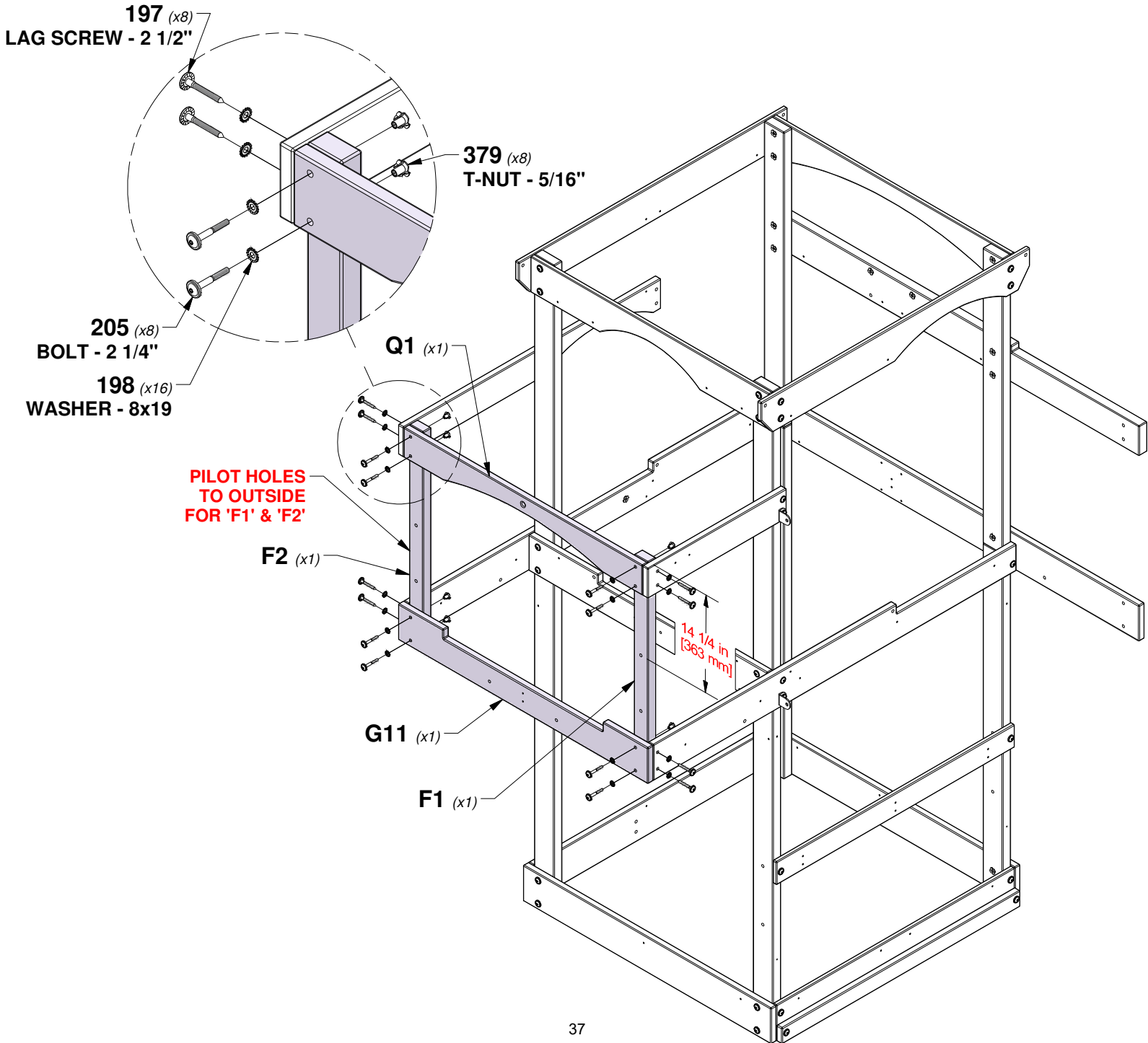


G11 LEFT SIDE WALL BOARD - W4L17651
(x1) 1"x5 1/4"x42 1/2" (24x134x1080)

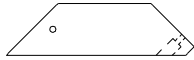


Q1 ARCHED WALL RAIL - W4L11142
(x1) 1"x4 3/8"x40 5/8" (24x112x1032)

TIP:
INSTALL T-NUTS IN WOOD FIRST



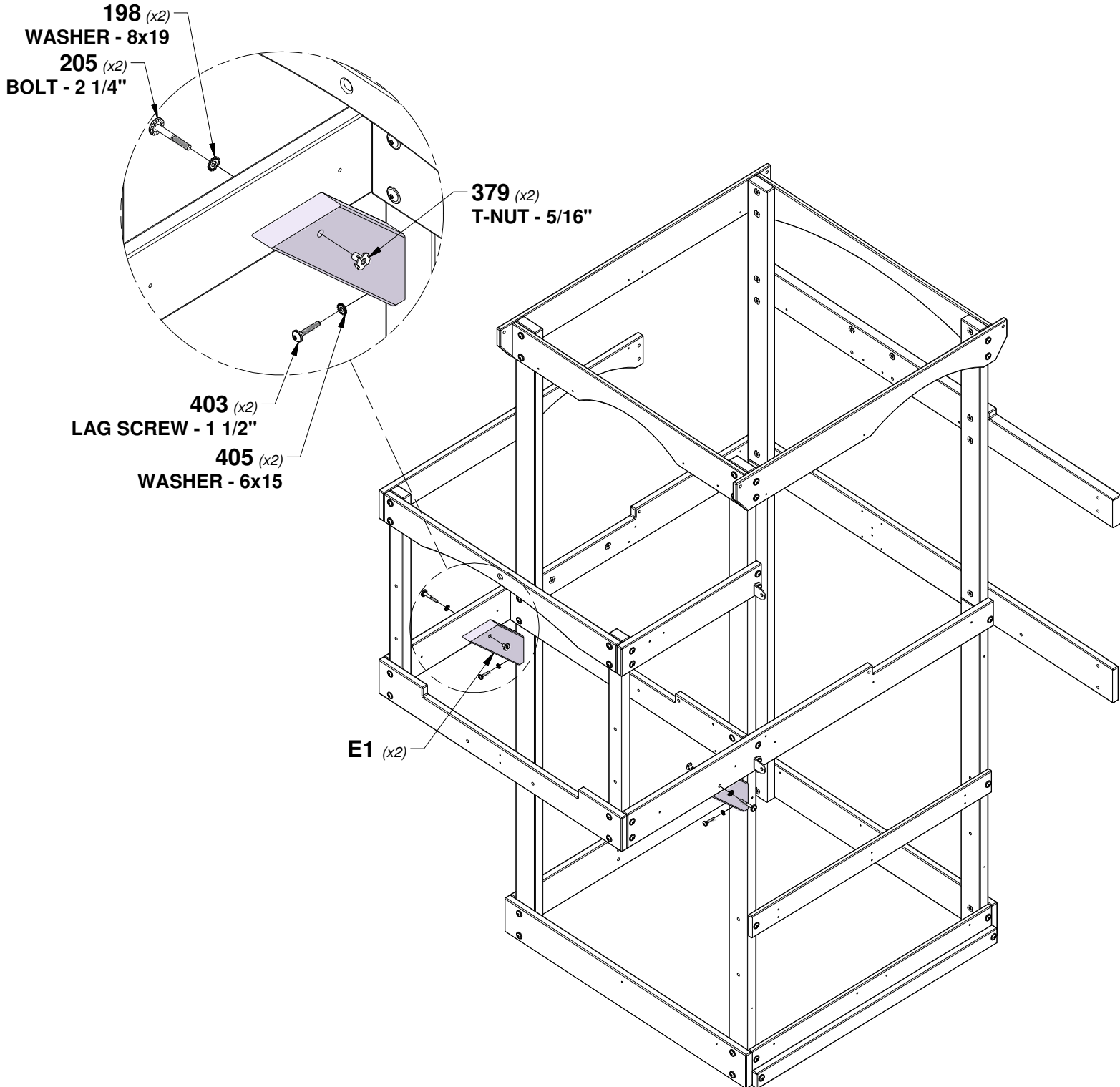
STEP 9 - FORT ASSEMBLY



E1 DECK BRACE - W4L17821
 (x2) 1 3/8"x3 3/8"x12 1/4" (36x86x311)

| QTY | PART NUMBER | DESCRIPTION |
|-----|-------------|----------------------------|
| 2 | H100198 | WASHER LOCK EXT 8x19 BLK |
| 2 | H100205 | BOLT WH 5/16x2-1/4 BLK |
| 2 | H100379 | T-NUT 5/16 BLK |
| 2 | H100403 | LAG SCREW WH 1/4x1-1/2 BLK |
| 2 | H100405 | WASHER LOCK EXT 6x15 BLK |

TIP:
INSTALL T-NUTS IN WOOD FIRST



STEP 10 - FORT ASSEMBLY

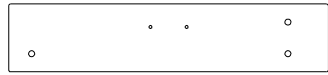
| QTY | PART NUMBER | DESCRIPTION |
|-----|-------------|----------------------------|
| 2 | H100192 | NUT BARREL WH 5/16x7/8 BLK |
| 2 | H100199 | WASHER LOCK EXT 12x19 BLK |
| 4 | H100382 | SCREW PFH 8x1 3/4 BLK |
| 2 | H100396 | BOLT WH 5/16x1/2 BLK |



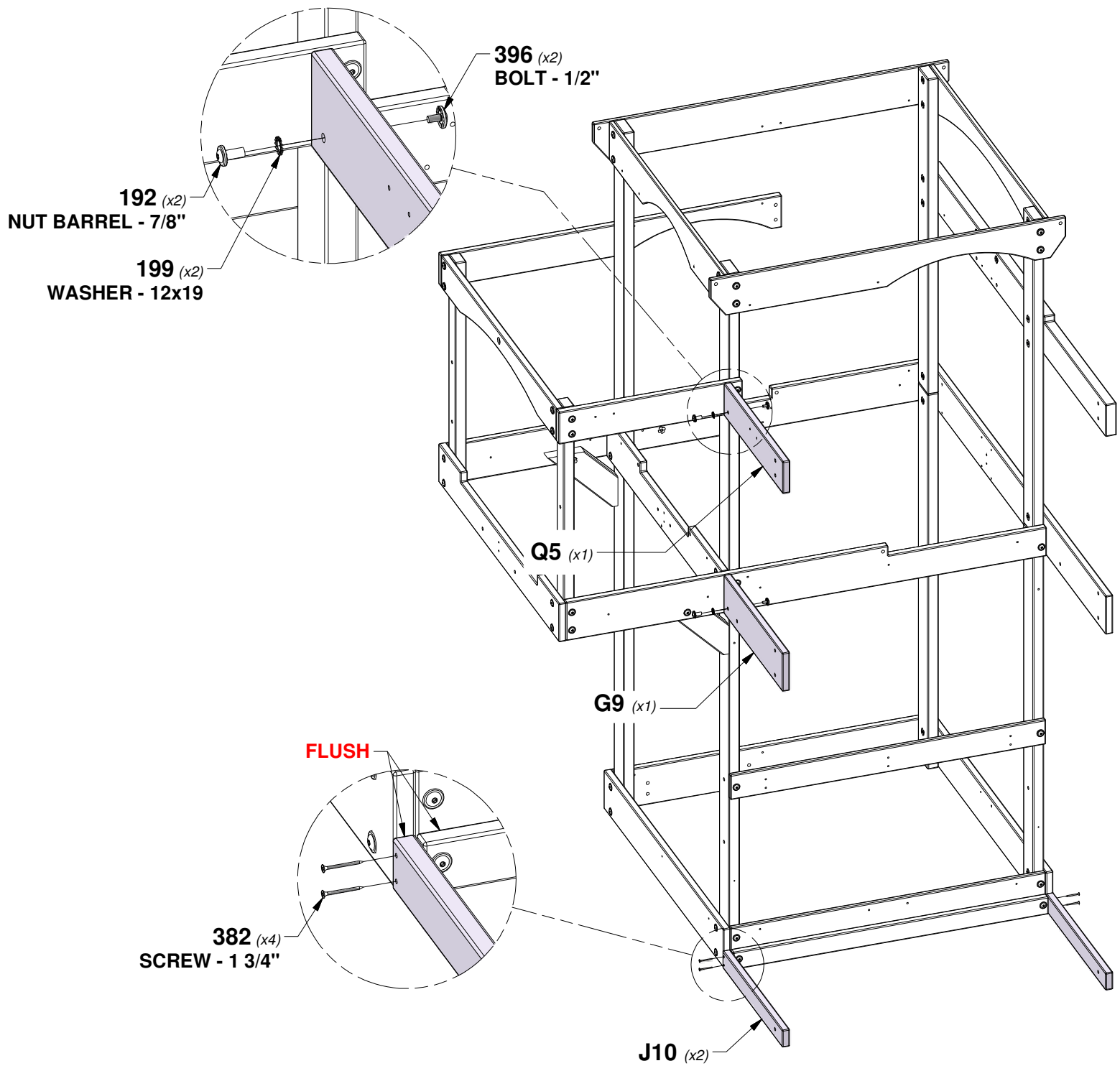
J10 PORCH GROUND BOARD - W4L17650
(x2) 1"x2 3/8"x21 1/8" (24x60x537)



G9 LEFT BALCONY WALL RAIL - W4L17648
(x1) 1"x5 1/4"x20 3/4" (24x134x528)



Q5 WALL RAIL - W4L17655
(x1) 1"x4 3/8"x20 7/8" (24x112x529)

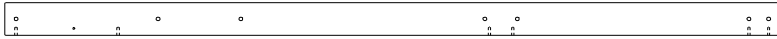


STEP 11 - FORT ASSEMBLY

| QTY | PART NUMBER | DESCRIPTION |
|-----|-------------|--------------------------|
| 2 | H100195 | BOLT WH 5/16x2-3/4 BLK |
| 10 | H100198 | WASHER LOCK EXT 8x19 BLK |
| 8 | H100205 | BOLT WH 5/16x2-1/4 BLK |
| 10 | H100379 | T-NUT 5/16 BLK |

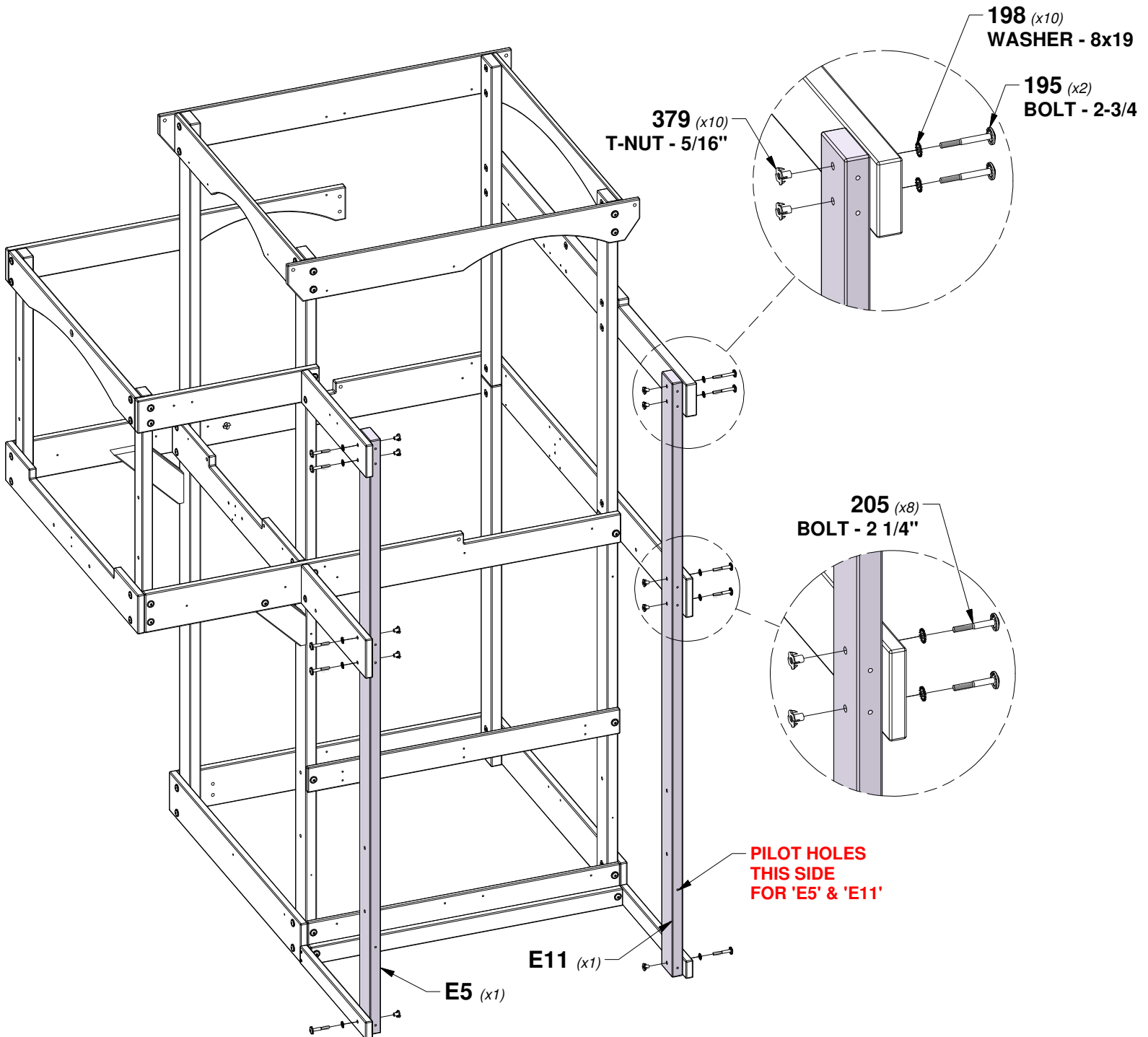


E5 RIGHT FRONT BALCONY UPRIGHT - W4L17826
 (x1) 1 3/8"x3 3/8"x80 3/4" (36x86x2052)



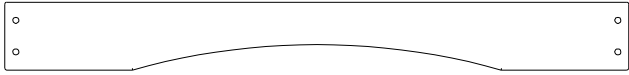
E11 RIGHT FRONT BALCONY UPRIGHT - W4L17827
 (x1) 1 3/8"x3 3/8"x80 3/4" (36x86x2052)

TIP:
INSTALL T-NUTS IN WOOD FIRST

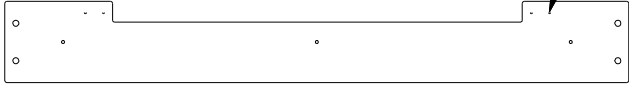


STEP 12 - FORT ASSEMBLY

| QTY | PART NUMBER | DESCRIPTION |
|-----|-------------|-----------------------------|
| 8 | H100197 | LAG SCREW WH 5/16x2-1/2 BLK |
| 10 | H100198 | WASHER LOCK EXT 8x19 BLK |
| 2 | H100458 | LAG SCREW WH 5/16x2 BLK |

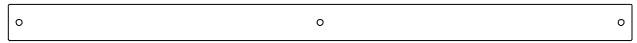


Q3 **ARCHED WALL RAIL - W4L17653**
 (x1) 1"x4 3/8"x40 5/8" (24x112x1032)

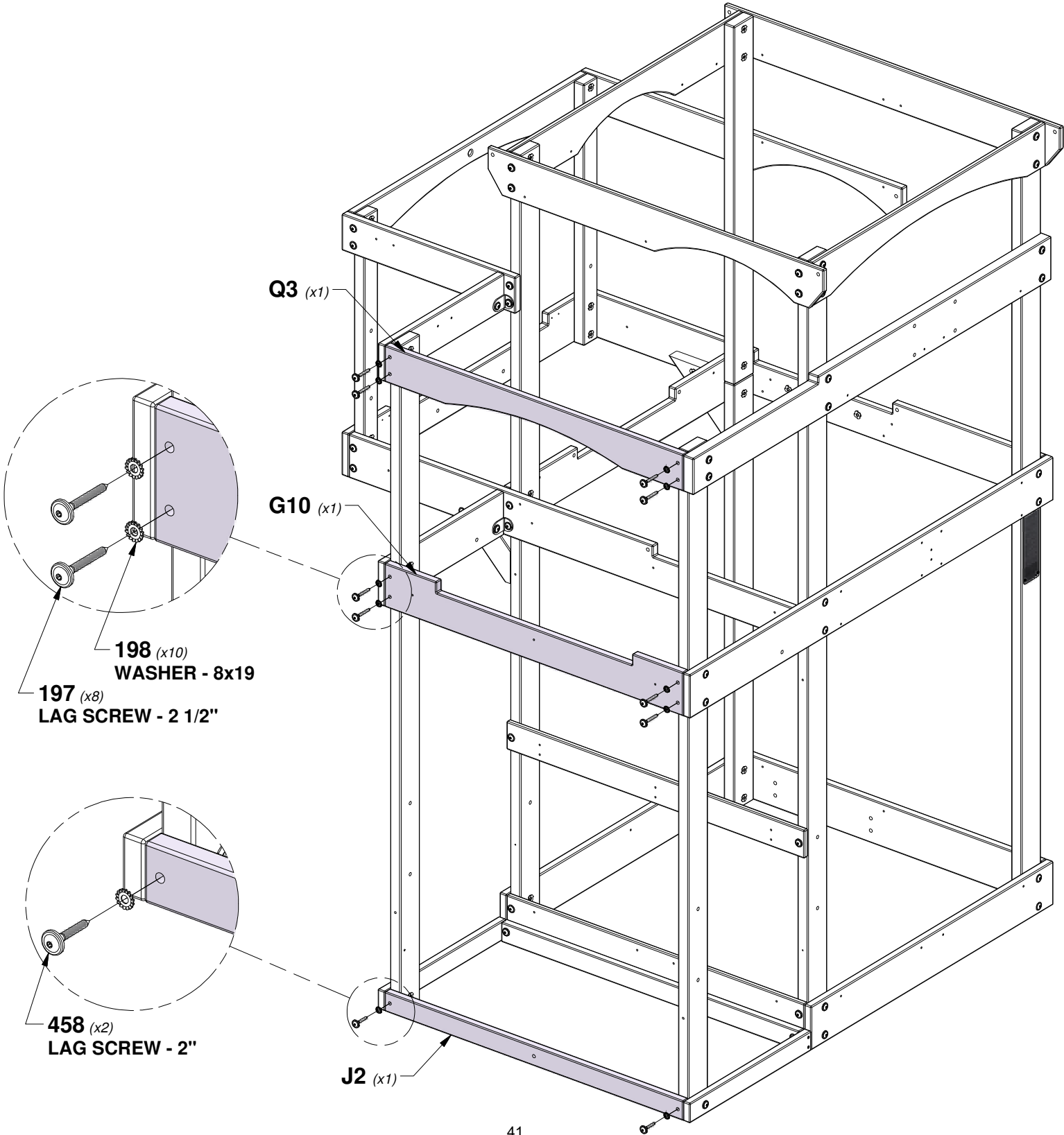


G10 **FRONT BALCONY WALL RAIL - W4L17649**
 (x1) 1"x5 1/4"x40 5/8" (24x134x1032)

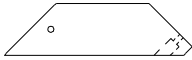
PILOT HOLES INWARD WHEN INSTALLED



J2 **PORCH GROUND BOARD - W4L11129**
 (x1) 1"x2 3/8"x40 5/8" (24x60x1032)



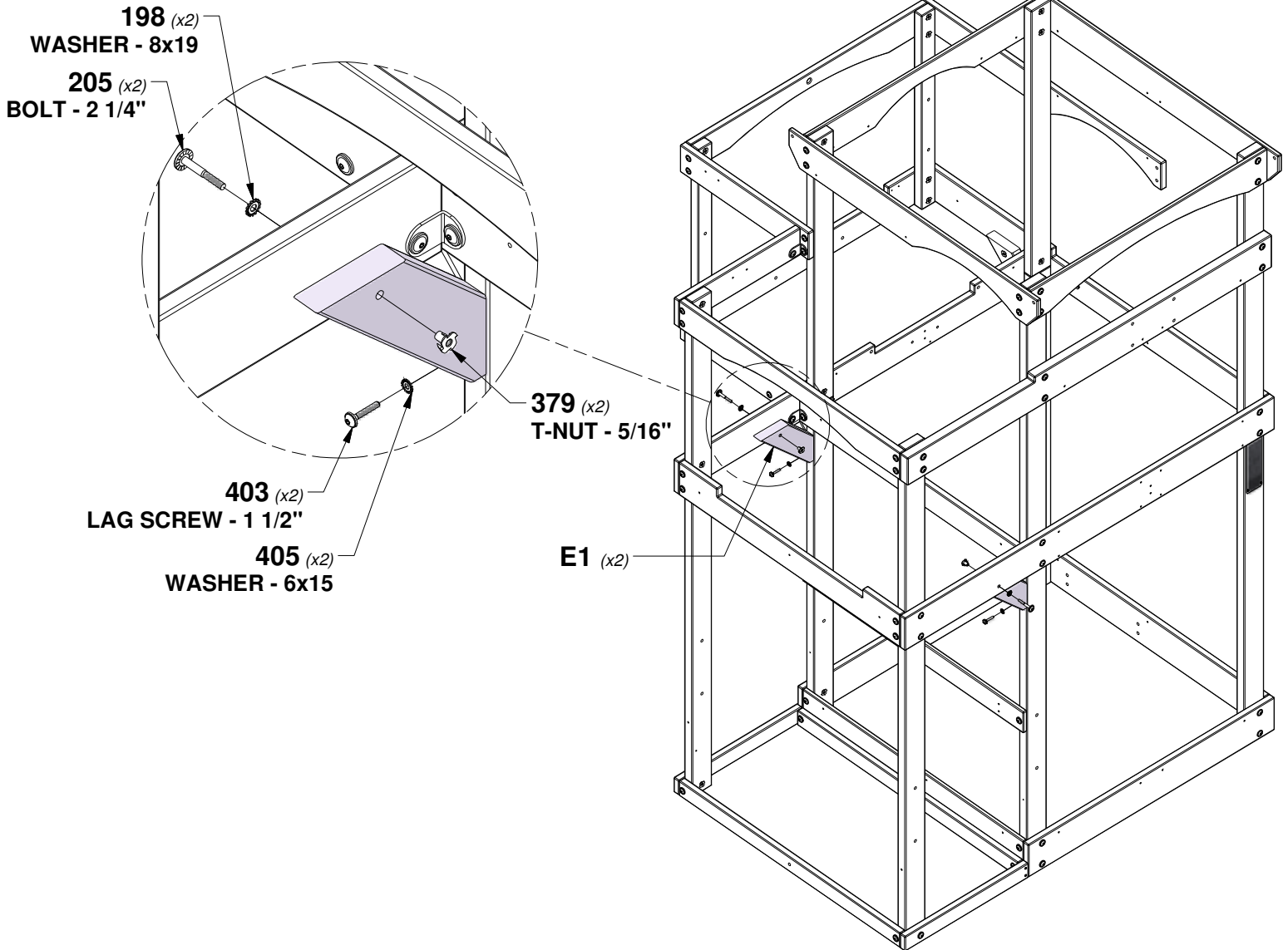
STEP 13 - FORT ASSEMBLY



E1 DECK BRACE - W4L17821
 (x2) 1 3/8"x3 3/8"x12 1/4" (36x86x311)

| QTY | PART NUMBER | DESCRIPTION |
|-----|-------------|----------------------------|
| 2 | H100198 | WASHER LOCK EXT 8x19 BLK |
| 2 | H100205 | BOLT WH 5/16x2-1/4 BLK |
| 2 | H100379 | T-NUT 5/16 BLK |
| 2 | H100403 | LAG SCREW WH 1/4x1-1/2 BLK |
| 2 | H100405 | WASHER LOCK EXT 6x15 BLK |

TIP:
INSTALL T-NUTS IN WOOD FIRST



STEP 14 - FORT ASSEMBLY

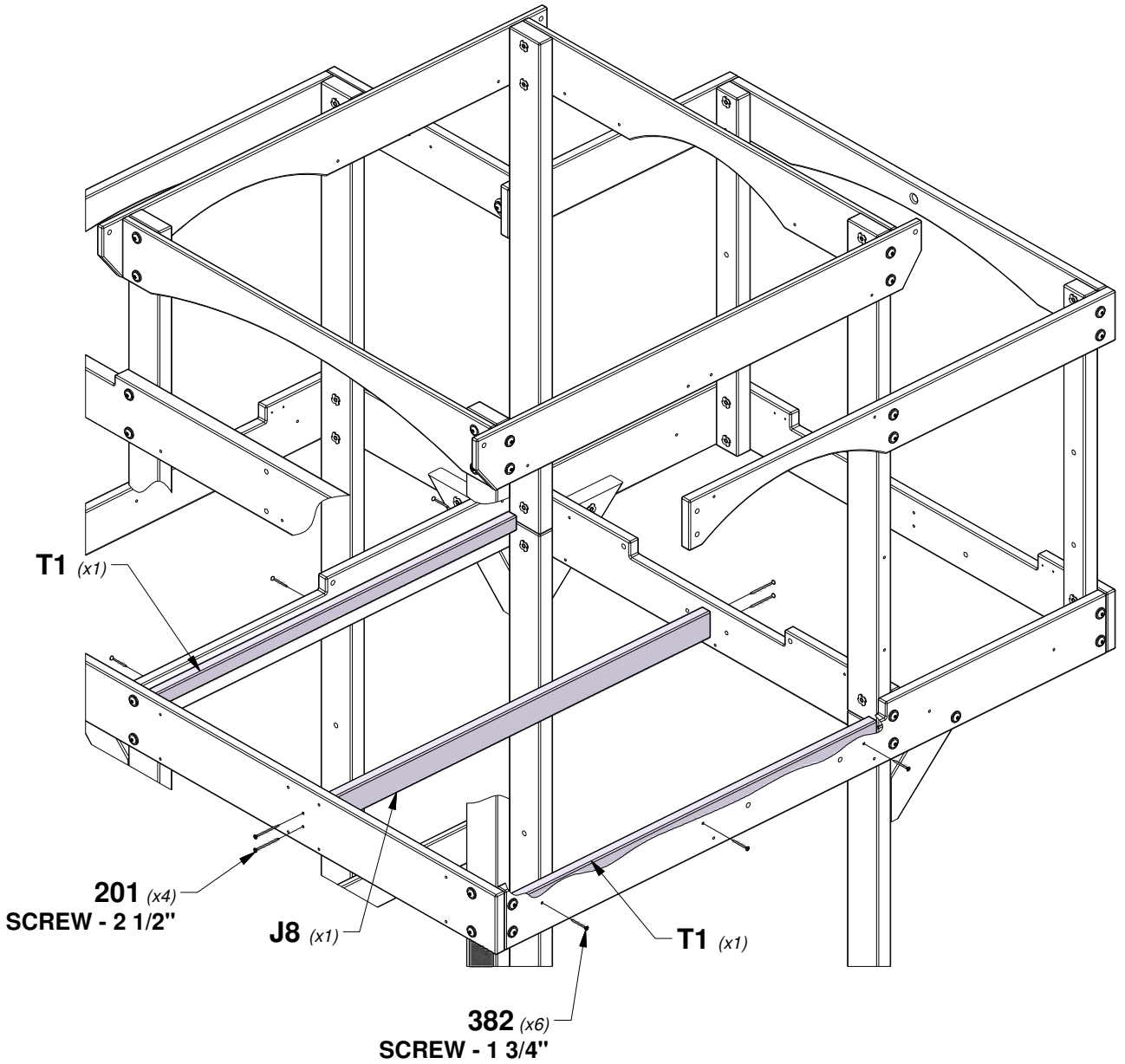
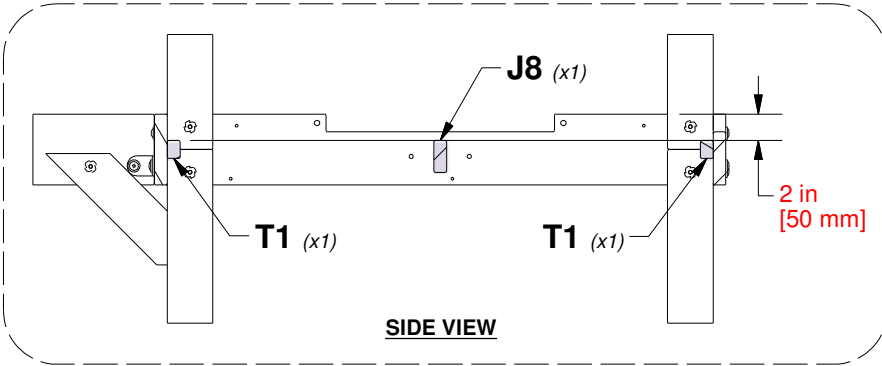
| QTY | PART NUMBER | DESCRIPTION |
|-----|-------------|-----------------------|
| 4 | H100201 | SCREW PFH 8x2-1/2 BLK |
| 6 | H100382 | SCREW PFH 8x1 3/4 BLK |



J8 FLOOR JOIST - W4L07602
 (x1) 1"x2 3/8"x40 1/2" (24x60x1029)



T1 SUPPORT BOARD - W4L07599
 (x2) 1"x1 3/8"x37 5/8" (24x34x957)

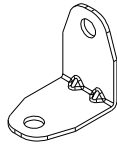


STEP 15 - FORT ASSEMBLY

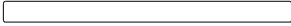
| QTY | PART NUMBER | DESCRIPTION |
|-----|-------------|---------------------------|
| 2 | H100171 | BOLT WH 1/4x1 BLK |
| 2 | H100201 | SCREW PFH 8x2-1/2 BLK |
| 4 | H100382 | SCREW PFH 8x1 3/4 BLK |
| 2 | H100398 | T-NUT 1/4 BLK |
| 1 | H100399 | NUT BARREL WH 1/4x7/8 BLK |
| 1 | H100401 | BOLT WH 1/4x1/2 BLK |



J9 FLOOR JOIST - W4L17671
(x1) 1"x2 3/8"x20 1/4" (24x60x515)

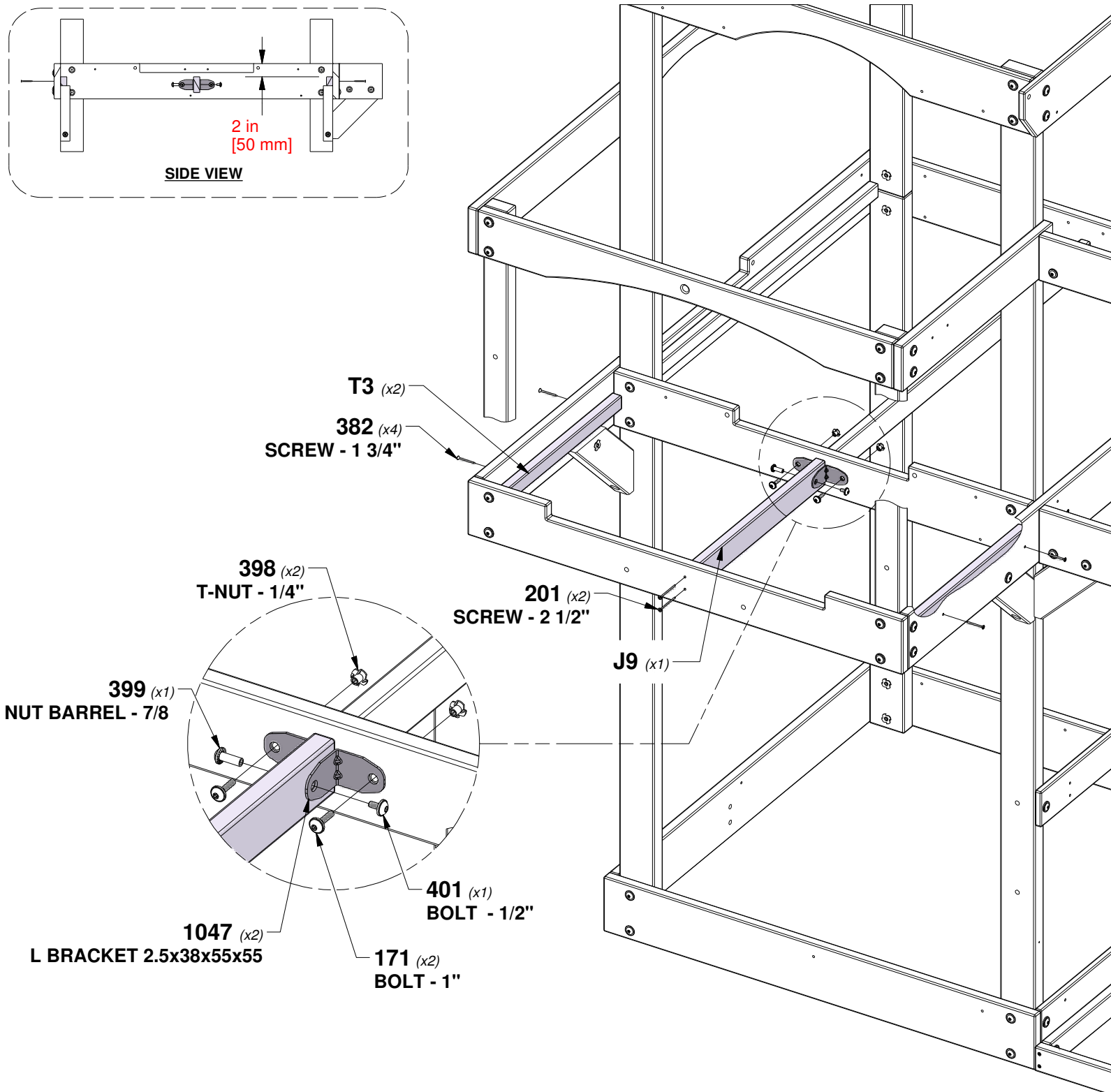
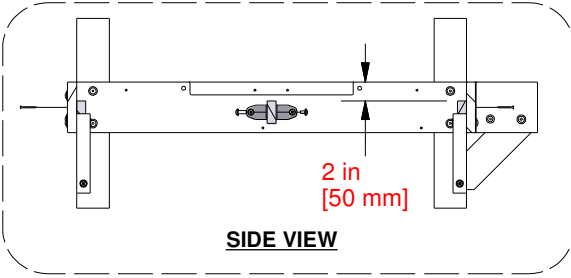


A4M01047 L BRACKET
(x2) 2.5x38x55x55



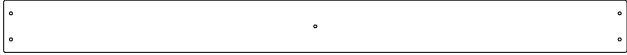
T3 SUPPORT BOARD - W4L07601
(x2) 1"x1 3/8"x18 3/4" (24x34x477)

TIP:
INSTALL T-NUTS IN WOOD FIRST



STEP 16 - FORT ASSEMBLY

| QTY | PART NUMBER | DESCRIPTION |
|-----|-------------|--------------------|
| 56 | H100086 | SCREW PFH 8x1-1/2" |

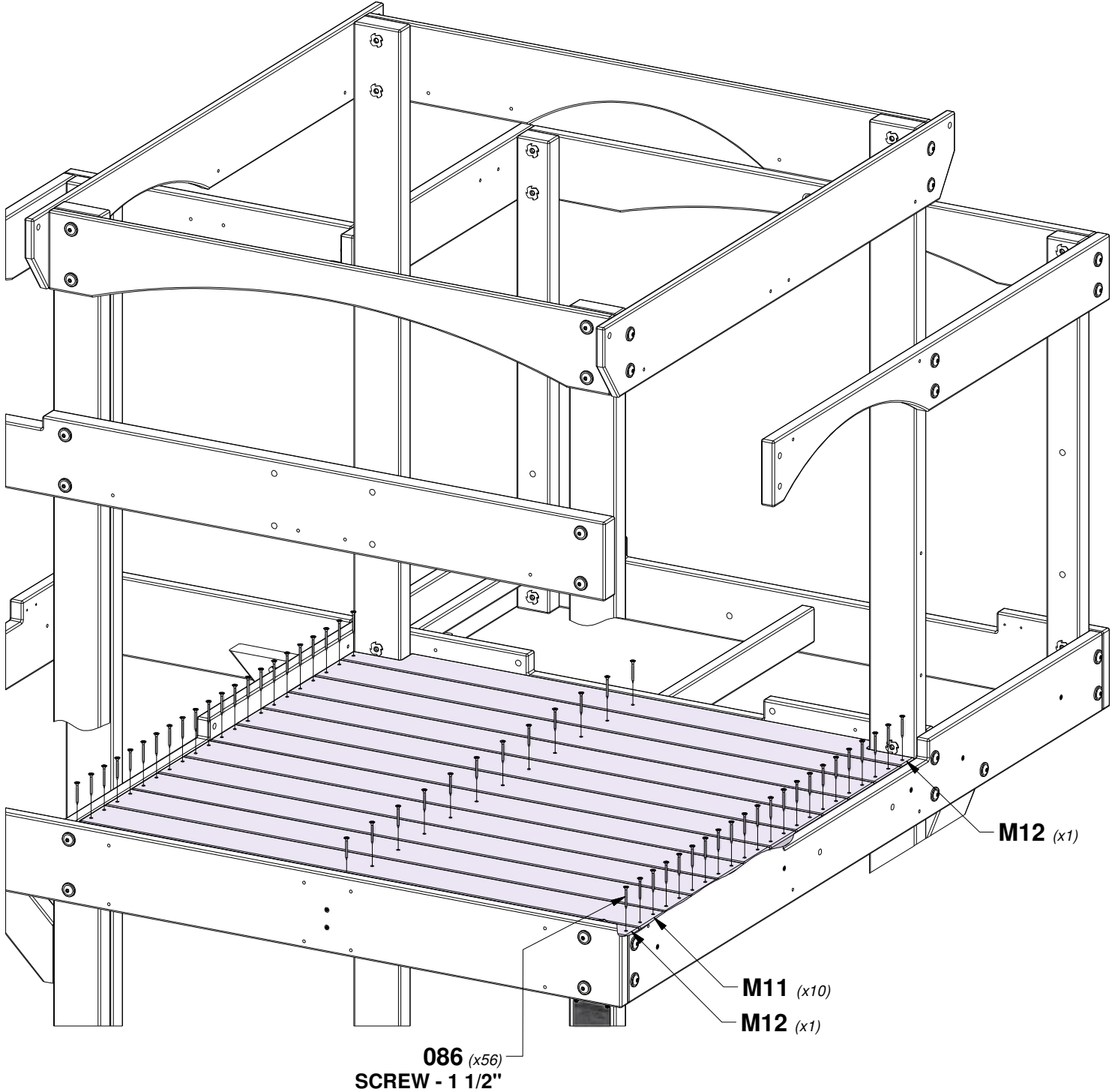


M11 FLOOR BOARD - W4L17661
(x10) 5/8"x3 3/8"x40 5/8" (16x86x1031)



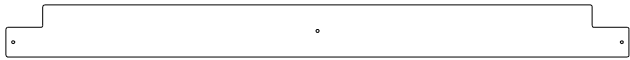
M12 FLOOR BOARD - W4L17991
(x2) 5/8"x3 1/4"x40 5/8" (16x82x1031)

TIP:
PLACE BOARDS EVENLY
BEFORE INSERTING SCREWS

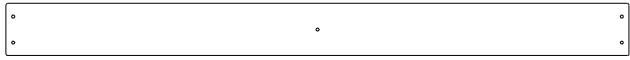


STEP 17 - FORT ASSEMBLY

| QTY | PART NUMBER | DESCRIPTION |
|-----|-------------|--------------------|
| 28 | H100086 | SCREW PFH 8x1-1/2" |

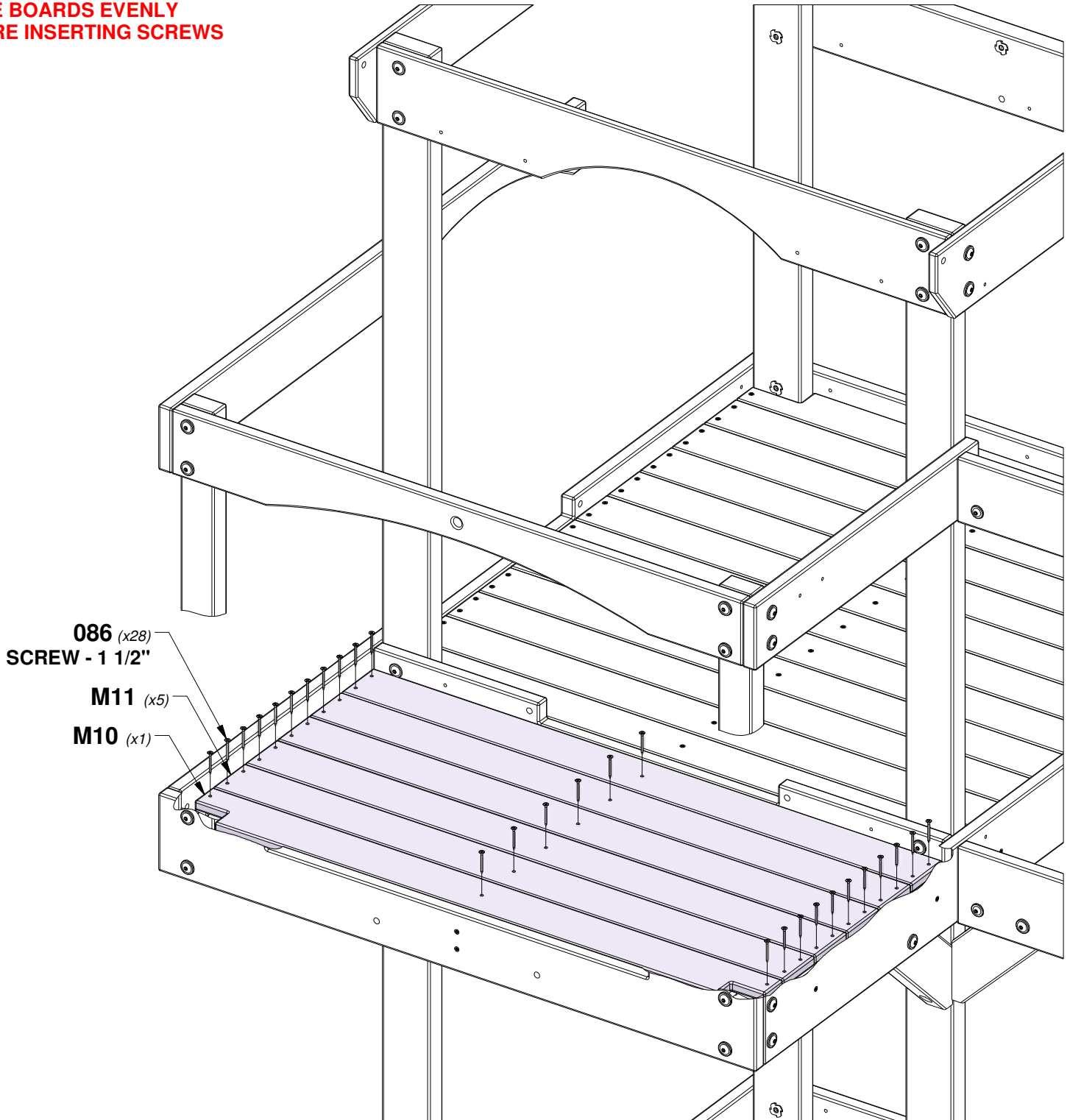


M10 FLOOR BOARD - W4L07609
(x1) 5/8"x3 3/8"x40 5/8" (16x86x1031)



M11 FLOOR BOARD - W4L17661
(x5) 5/8"x3 3/8"x40 5/8" (16x86x1031)

TIP:
PLACE BOARDS EVENLY
BEFORE INSERTING SCREWS

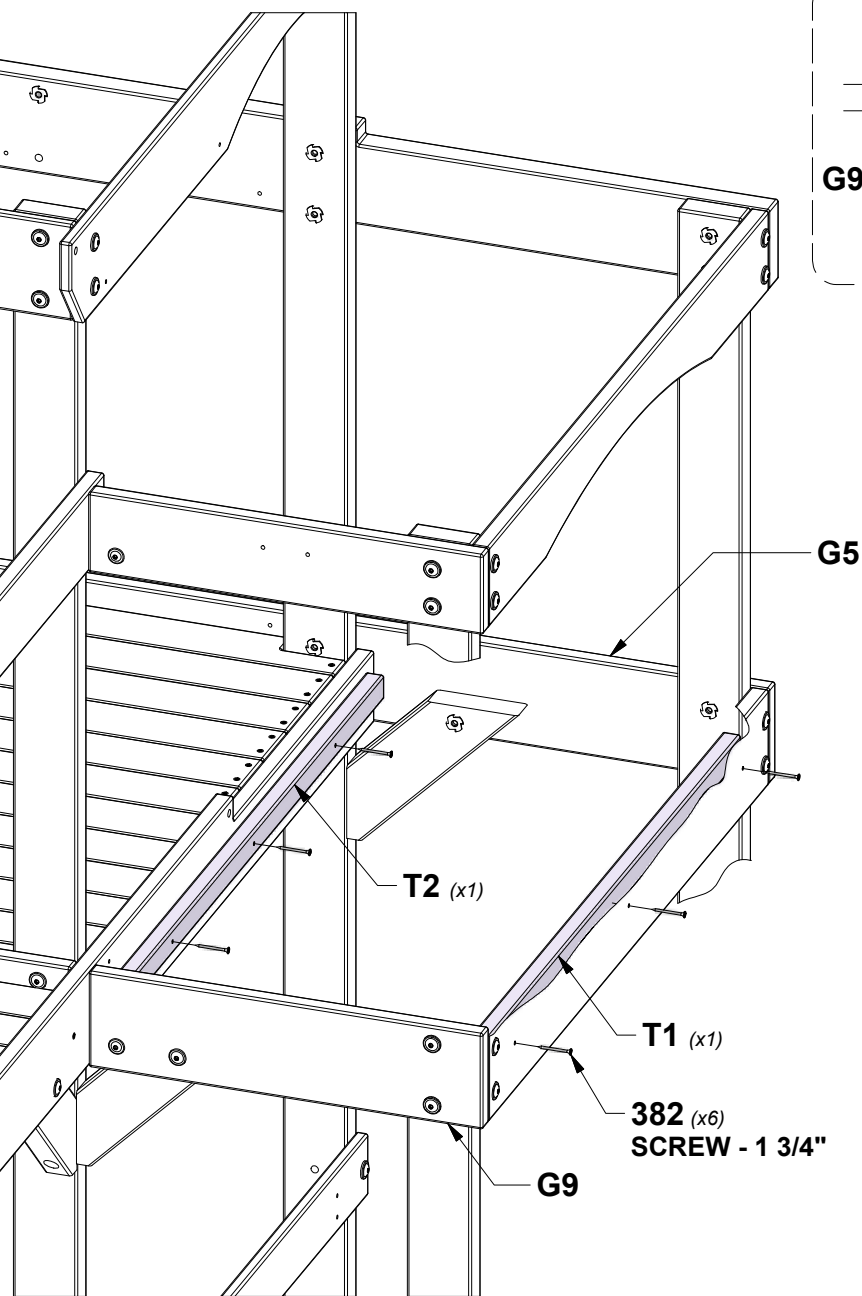
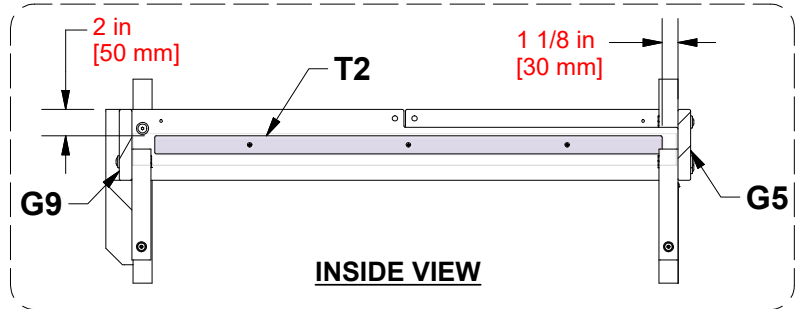
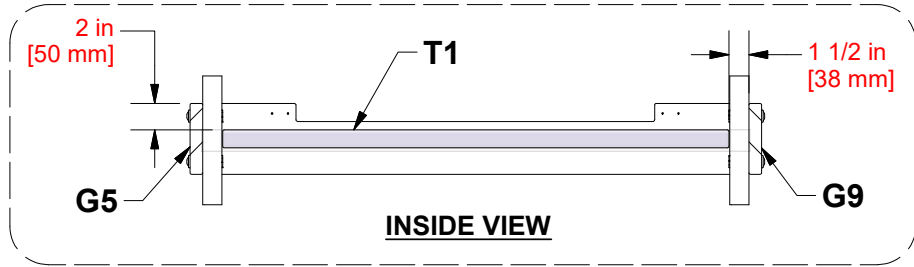


STEP 18 - FORT ASSEMBLY

| QTY | PART NUMBER | DESCRIPTION |
|-----|-------------|-----------------------|
| 6 | H100382 | SCREW PFH 8x1 3/4 BLK |

T1 SUPPORT BOARD - W4L07599
 (x1) 1"x1 3/8"x37 5/8" (24x34x957)

T2 SUPPORT BOARD - W4L07600
 (x1) 1"x1 3/8"x37 3/4" (24x34x959)



STEP 19 - FORT ASSEMBLY

| QTY | PART NUMBER | DESCRIPTION |
|-----|-------------|--------------------|
| 44 | H100086 | SCREW PFH 8x1-1/2" |



M8 FLOOR BOARD - W4L17665
(x1) 5/8"x3 1/4"x19 7/8" (16x82x504)

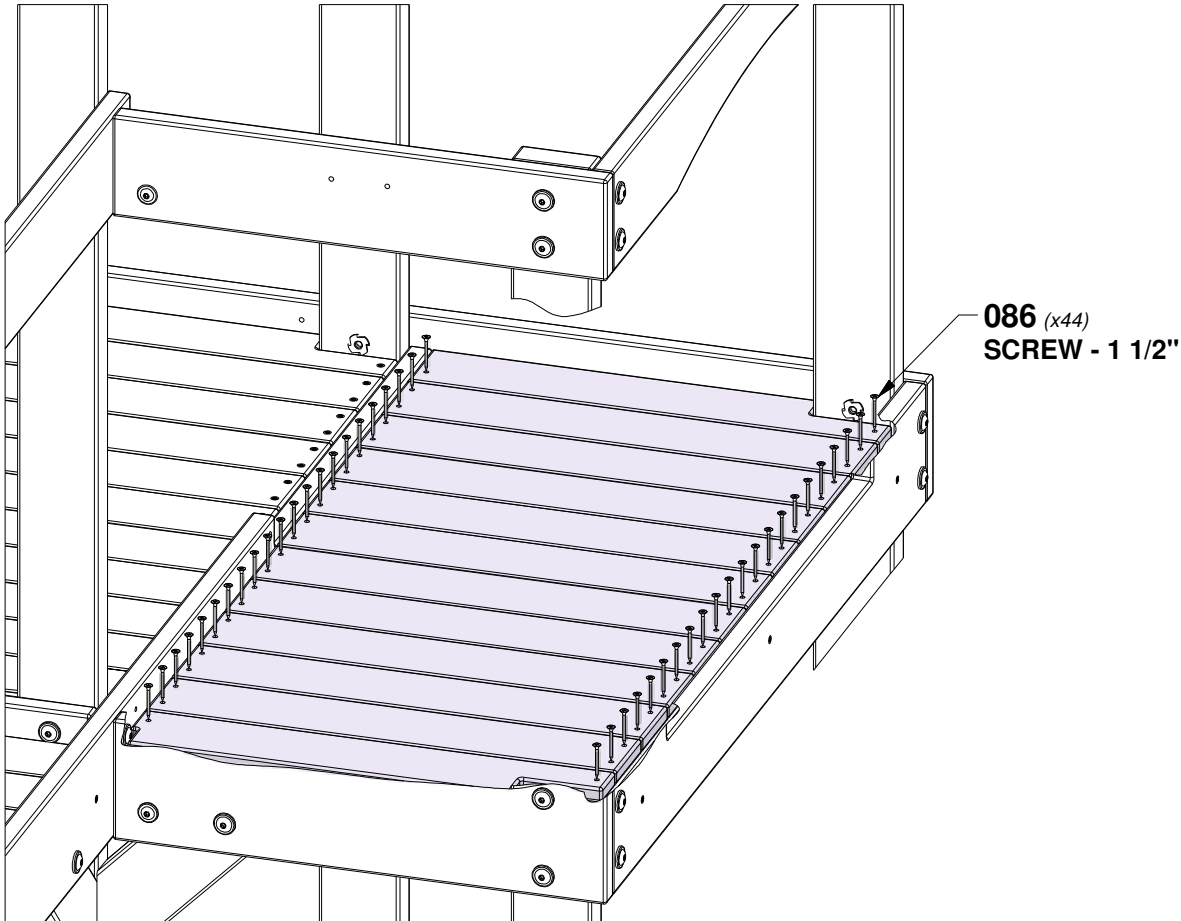
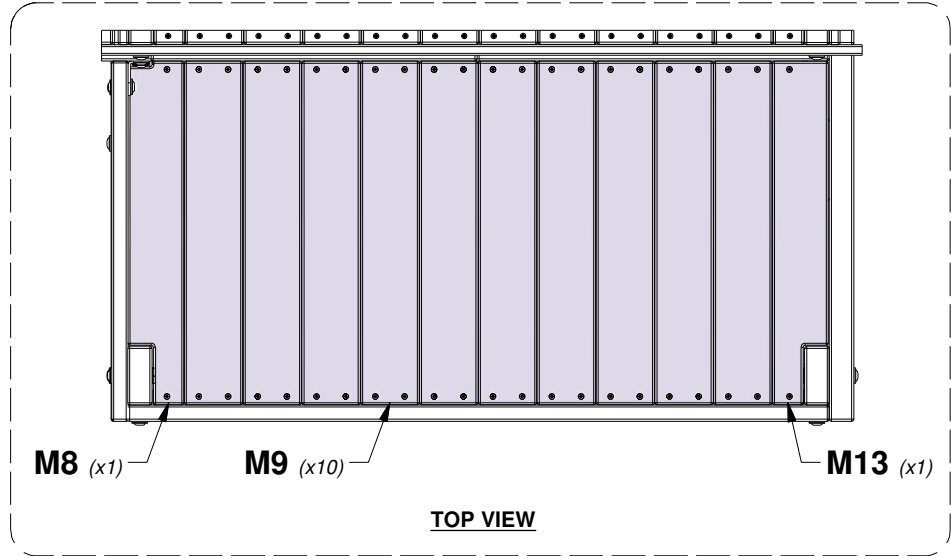


M9 FLOOR BOARD - W4L17660
(x10) 5/8"x3 3/8"x19 7/8" (16x86x504)



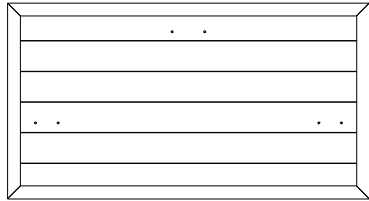
M13 FLOOR BOARD - W4L17664
(x1) 5/8"x3 1/4"x19 7/8" (16x82x504)

TIP:
PLACE BOARDS EVENLY
BEFORE INSERTING SCREWS

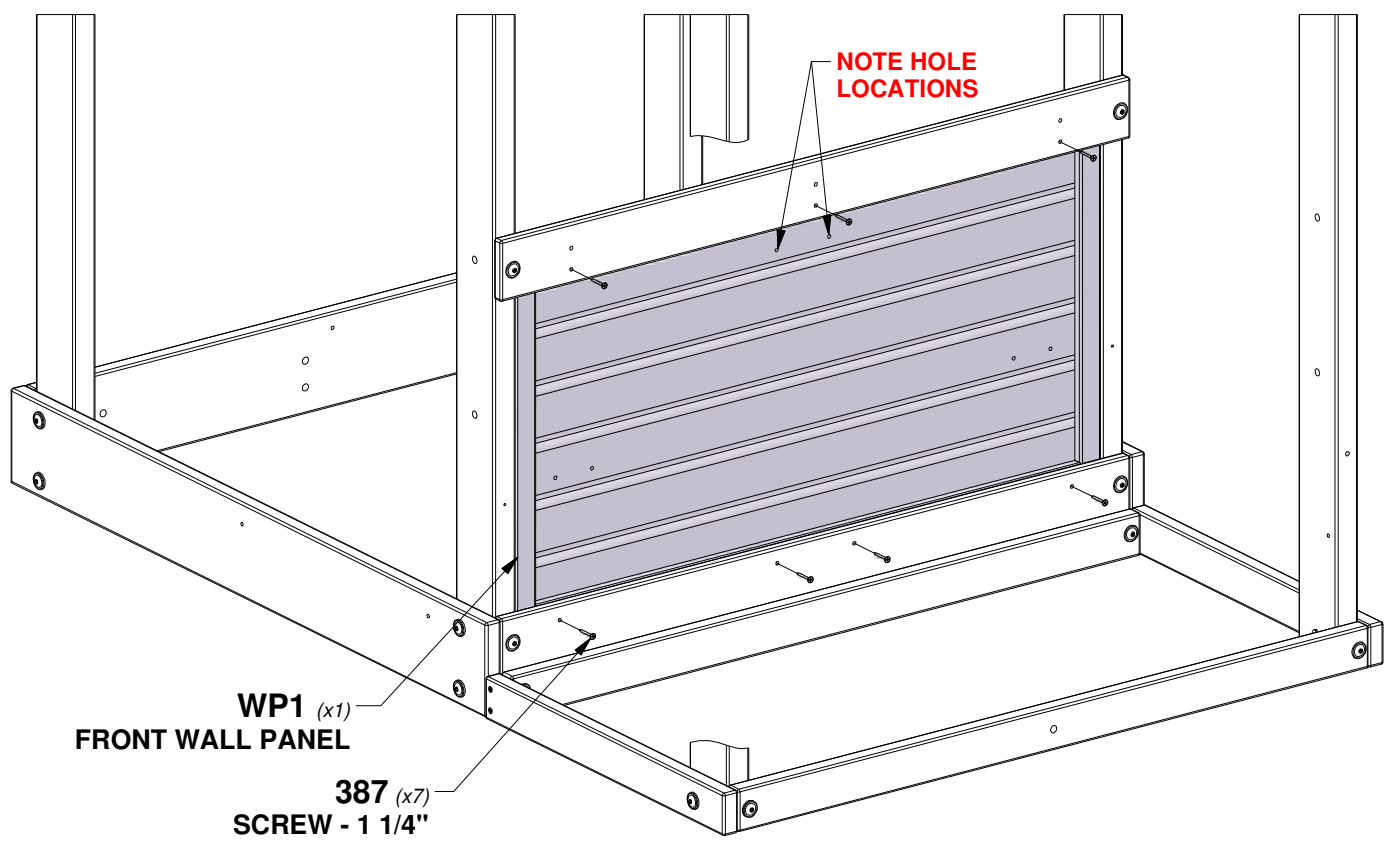
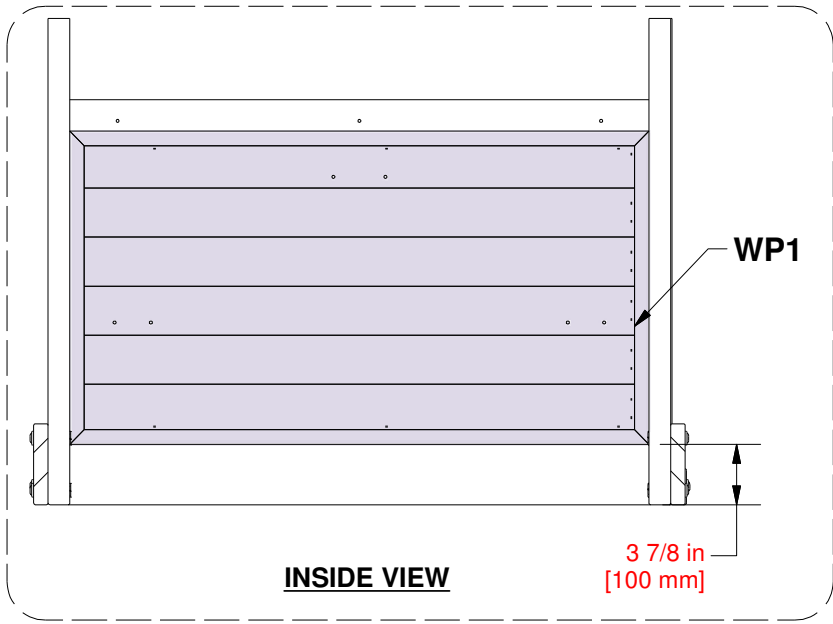


STEP 20 - FORT ASSEMBLY

| QTY | PART NUMBER | DESCRIPTION |
|-----|-------------|-----------------------|
| 7 | H100387 | SCREW PFH 8x1-1/4 BLK |



WP1 FRONT WALL PANEL - W2A02082
 (x1) 1"x20 3/8"x37 3/4" (24x517x958)

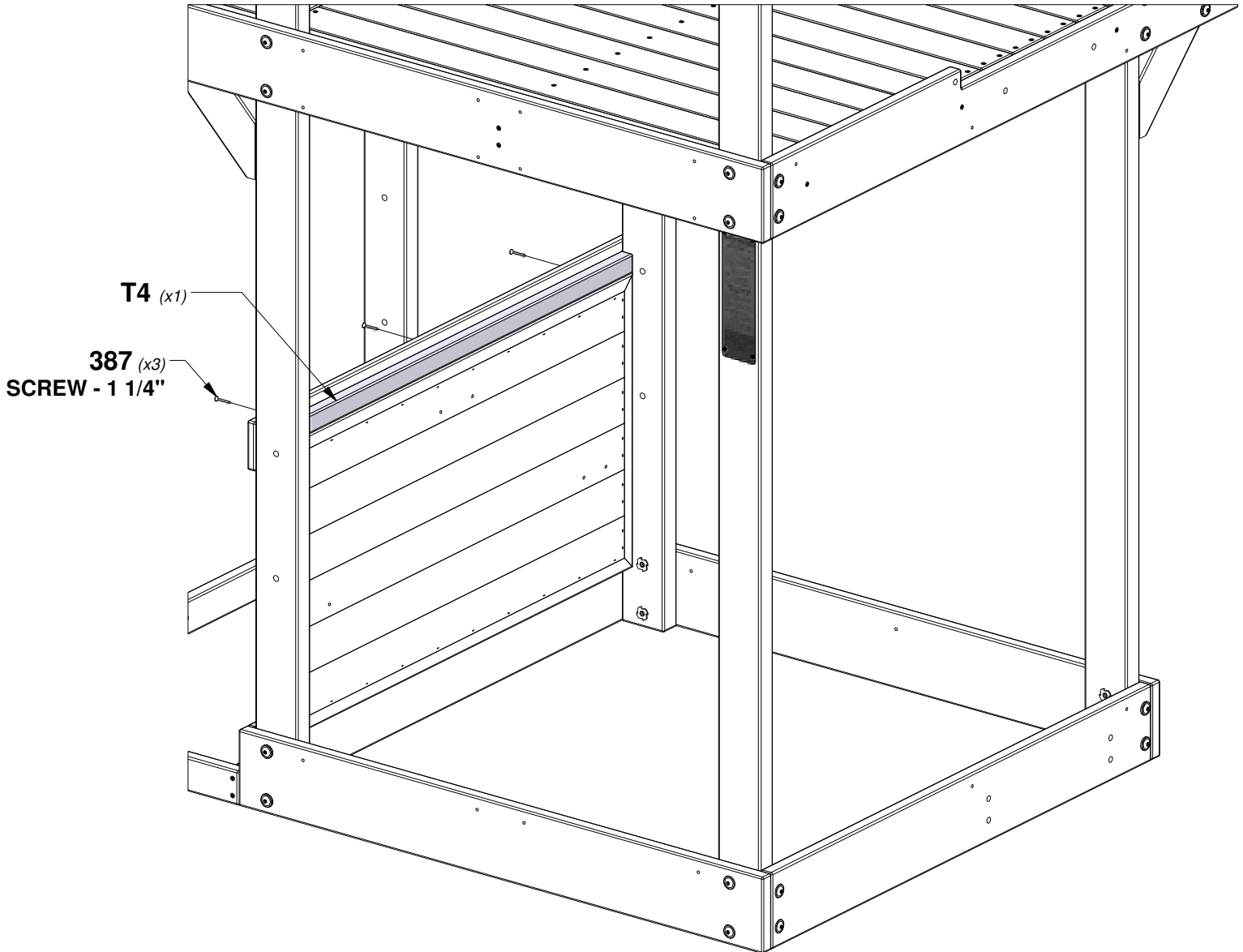


STEP 21 - FORT ASSEMBLY

| QTY | PART NUMBER | DESCRIPTION |
|-----|-------------|-----------------------|
| 3 | H100387 | SCREW PFH 8x1-1/4 BLK |



T4 SUPPORT BOARD - W4L07613
(x1) 1"x1 3/8"x37 3/4" (24x34x958)



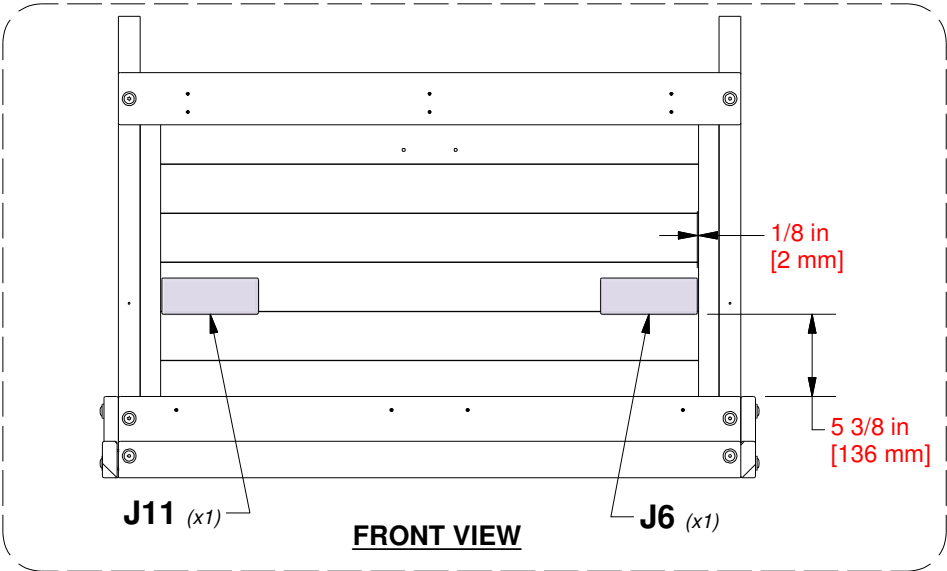
STEP 22 - FORT ASSEMBLY

| QTY | PART NUMBER | DESCRIPTION |
|-----|-------------|--------------------|
| 4 | H100088 | SCREW PFH 8x1-1/8" |

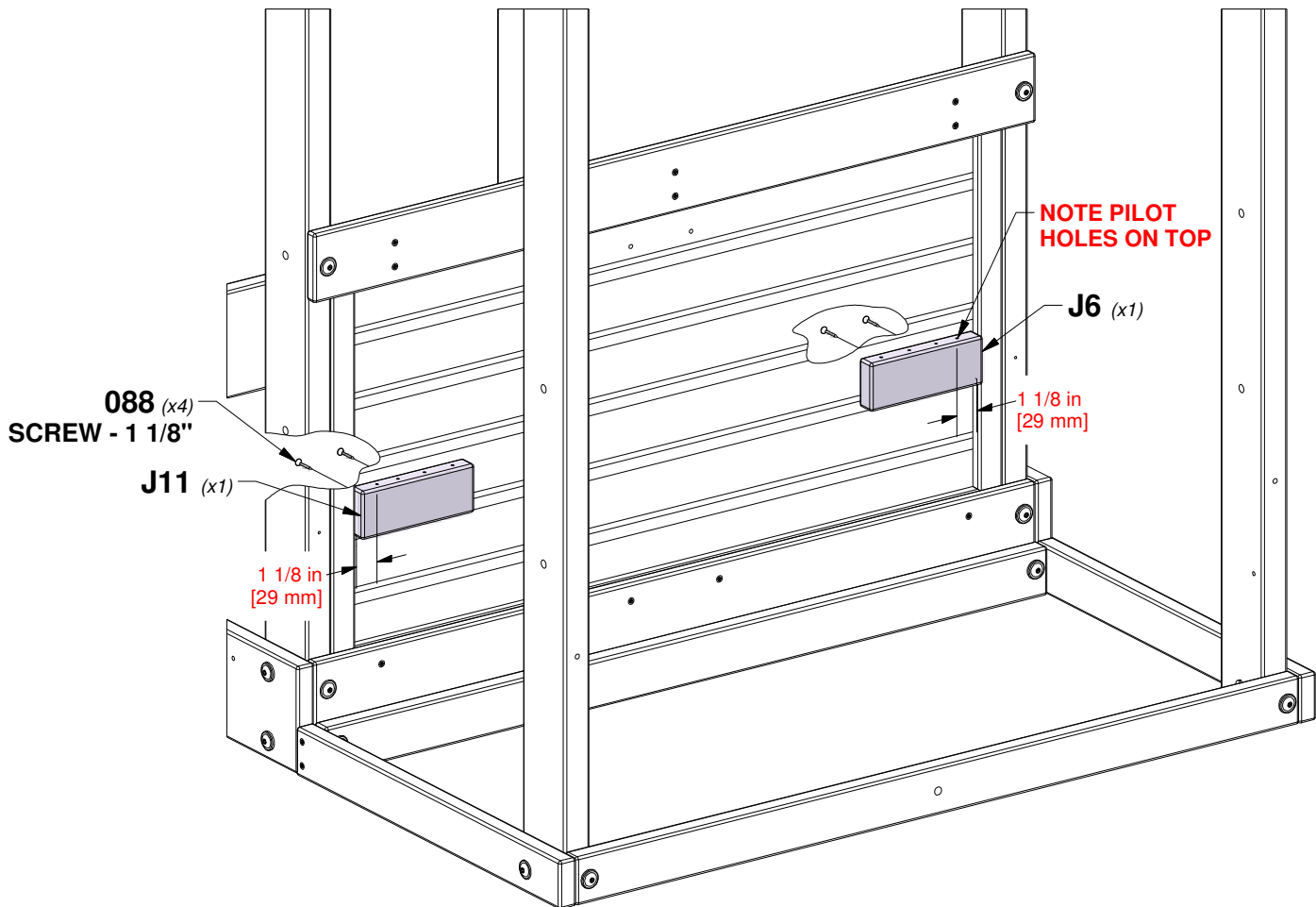


J6 SUPPORT BLOCK - W4L17817
 (x1) 1"x2 3/8"x6 1/4" (24x60x160)

J11 SUPPORT BLOCK - W4L17818
 (x1) 1"x2 3/8"x6 1/4" (24x60x160)



TIP:
 ALIGN PILOT HOLES IN WALL PANEL TO
 PILOT HOLES IN (J) BOARDS.



STEP 23 - FORT ASSEMBLY

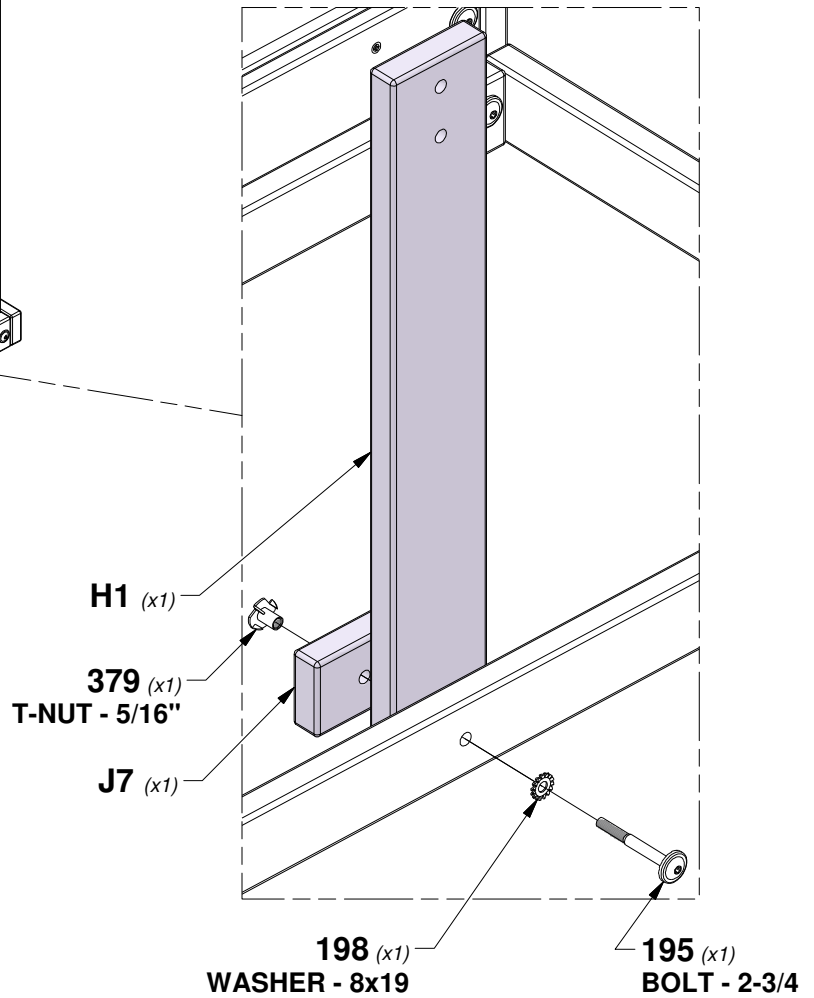
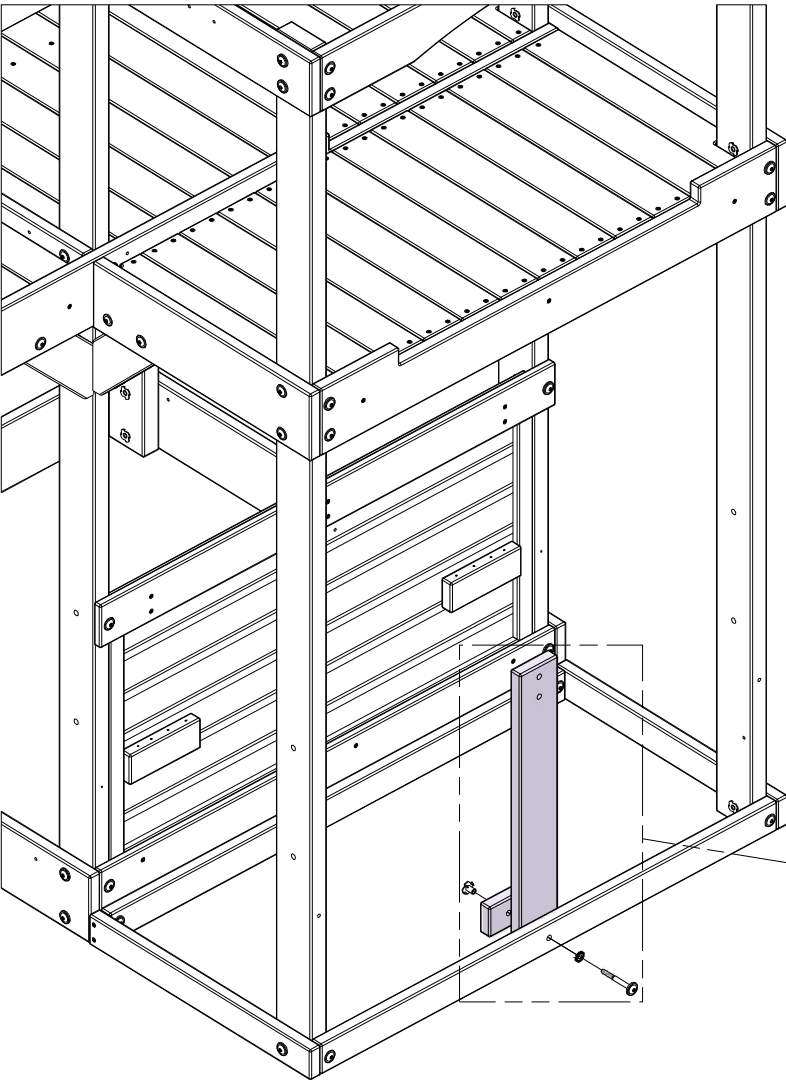
| QTY | PART NUMBER | DESCRIPTION |
|-----|-------------|--------------------------|
| 1 | H100195 | BOLT WH 5/16x2-3/4 BLK |
| 1 | H100198 | WASHER LOCK EXT 8x19 BLK |
| 1 | H100379 | T-NUT 5/16 BLK |



H1 TABLE SUPPORT - W4L11147
 (x1) 1"x3 3/8"x22 3/8" (24x86x567)

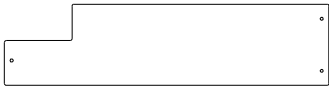
J7 SUPPORT BLOCK - W4L11158
 (x1) 1"x2 3/8"x3 3/8" (24x60x86)

TIP:
INSTALL T-NUTS IN WOOD FIRST

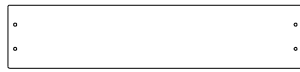


STEP 24 - FORT ASSEMBLY

| QTY | PART NUMBER | DESCRIPTION |
|-----|-------------|--------------------|
| 42 | H100086 | SCREW PFH 8x1-1/2" |



K17 FLOOR BOARD - W4L17662
(x2) 5/8"x5 1/4"x21 1/8" (16x134x537)

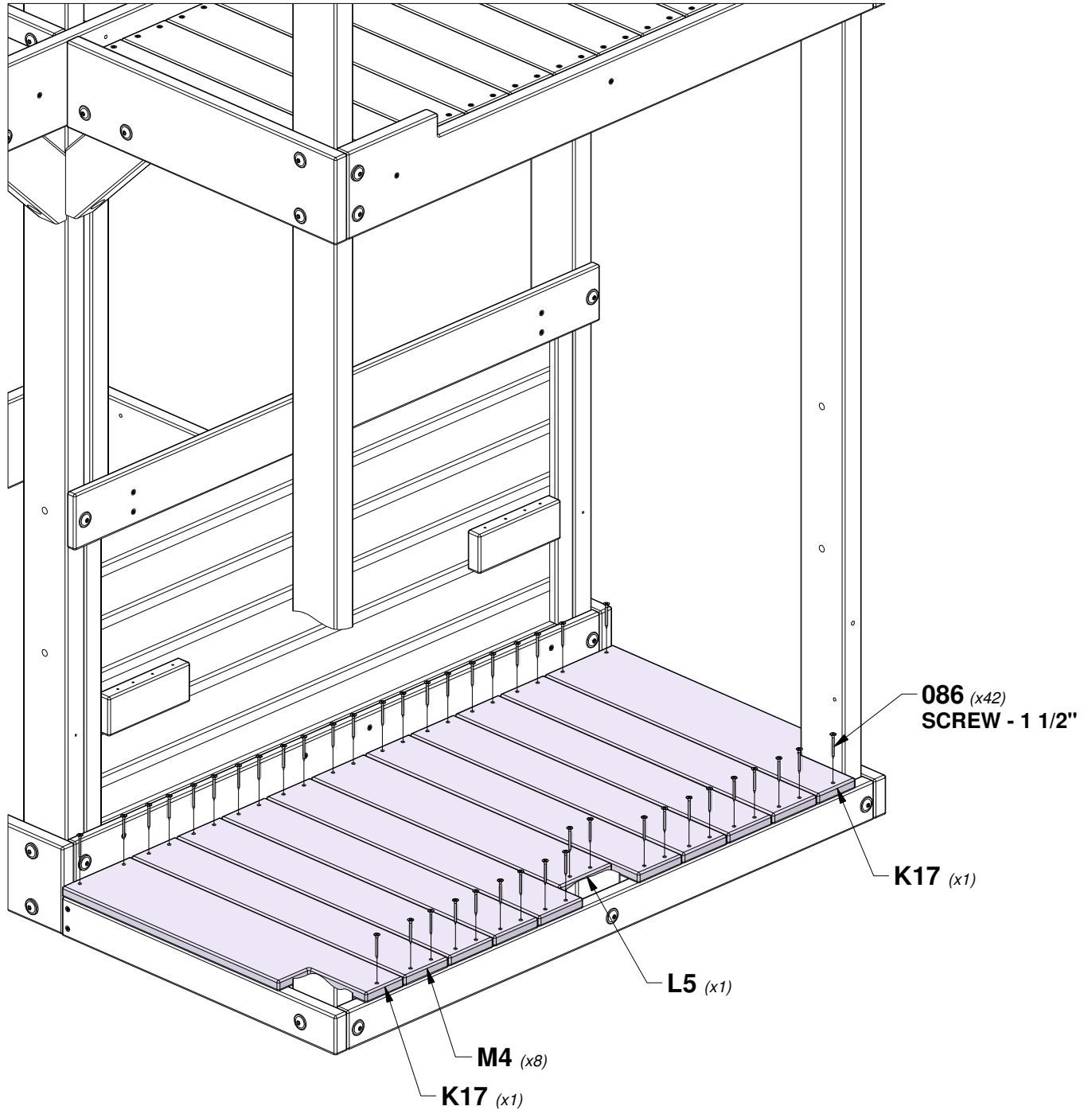


L5 FLOOR BOARD - W4L17663
(x1) 5/8"x4 1/8"x19 1/4" (16x104x488)



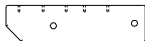
M4 FLOOR BOARD - W4L07597
(x8) 5/8"x3 3/8"x21 1/8" (16x86x537)

TIP:
PLACE BOARDS EVENLY
BEFORE INSERTING SCREWS



STEP 25 - FORT ASSEMBLY

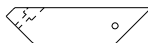
| QTY | PART NUMBER | DESCRIPTION |
|-----|-------------|--------------------------|
| 4 | H100198 | WASHER LOCK EXT 8x19 BLK |
| 2 | H100205 | BOLT WH 5/16x2-1/4 BLK |
| 2 | H100379 | T-NUT 5/16 BLK |
| 4 | H100382 | SCREW PFH 8x1 3/4 BLK |
| 2 | H100405 | WASHER LOCK EXT 6x15 BLK |
| 2 | H100458 | LAG SCREW WH 5/16x2 BLK |
| 2 | H100487 | LAG SCREW WH 1/4x2 BLK |



J3 BENCH SUPPORT - W4L18017
(x2) 1"x2 3/8"x9" (24x60x230)

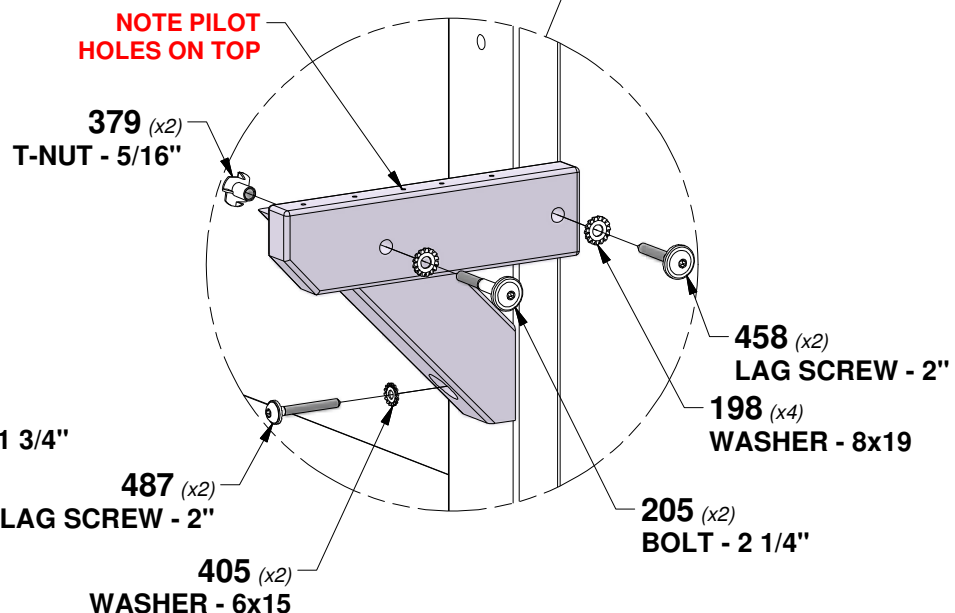
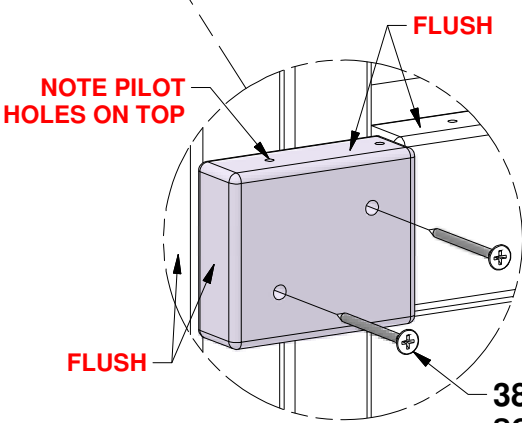
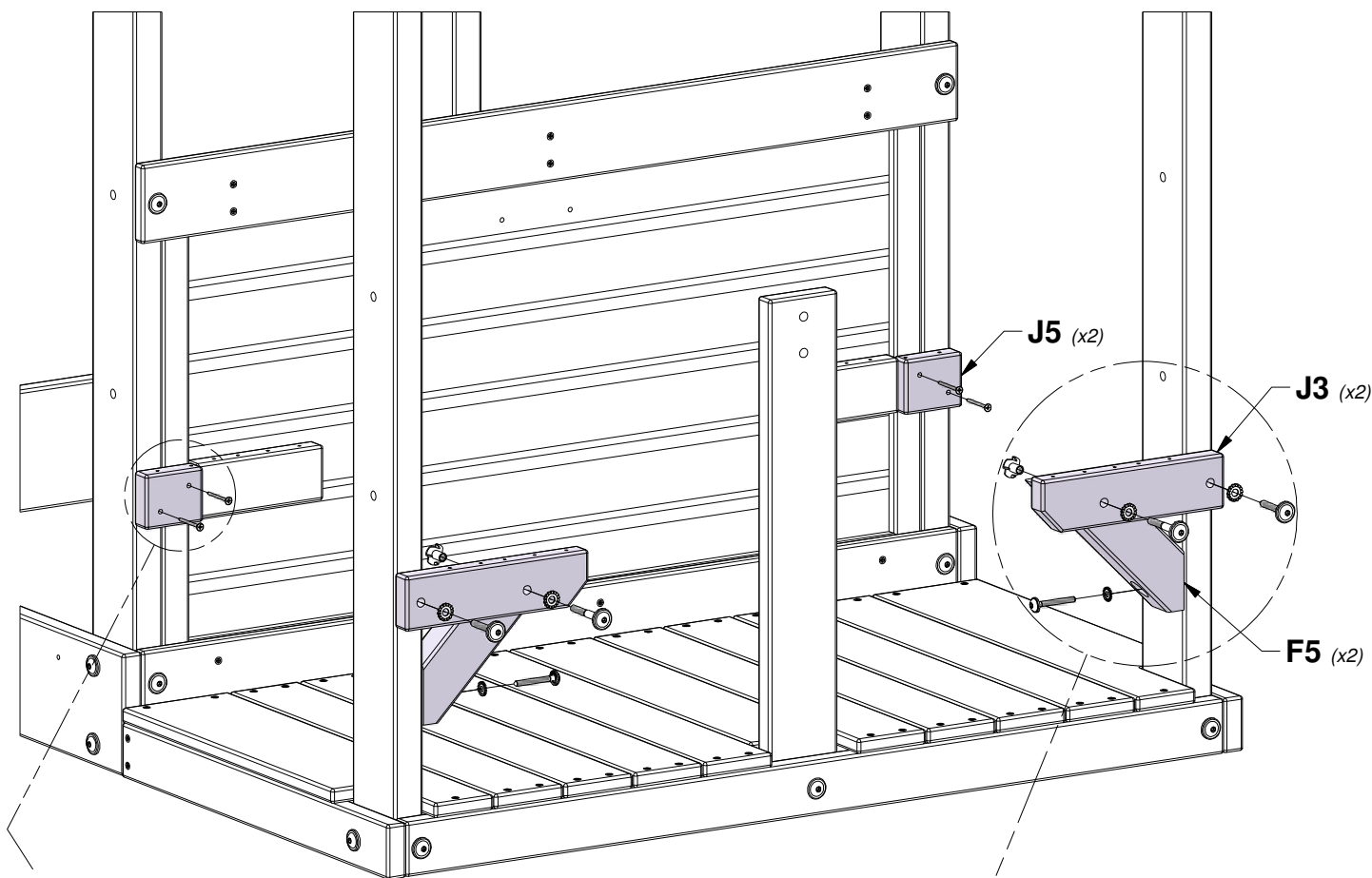


J5 SUPPORT BLOCK - W4L18022
(x2) 1"x2 3/8"x2 7/8" (24x60x72)



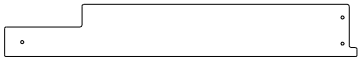
F5 ANGLE BRACE - W4L17822
(x2) 1 3/8"x2 3/8"x9 1/2" (36x60x240)

TIP:
INSTALL T-NUTS IN WOOD FIRST



STEP 26 - FORT ASSEMBLY

| QTY | PART NUMBER | DESCRIPTION |
|-----|-------------|--------------------|
| 22 | H100089 | SCREW PFH 8x1-3/4" |



H6 BENCH BOARD - W4L17657
(x2) 1"x3 3/8"x23" (24x86x583)

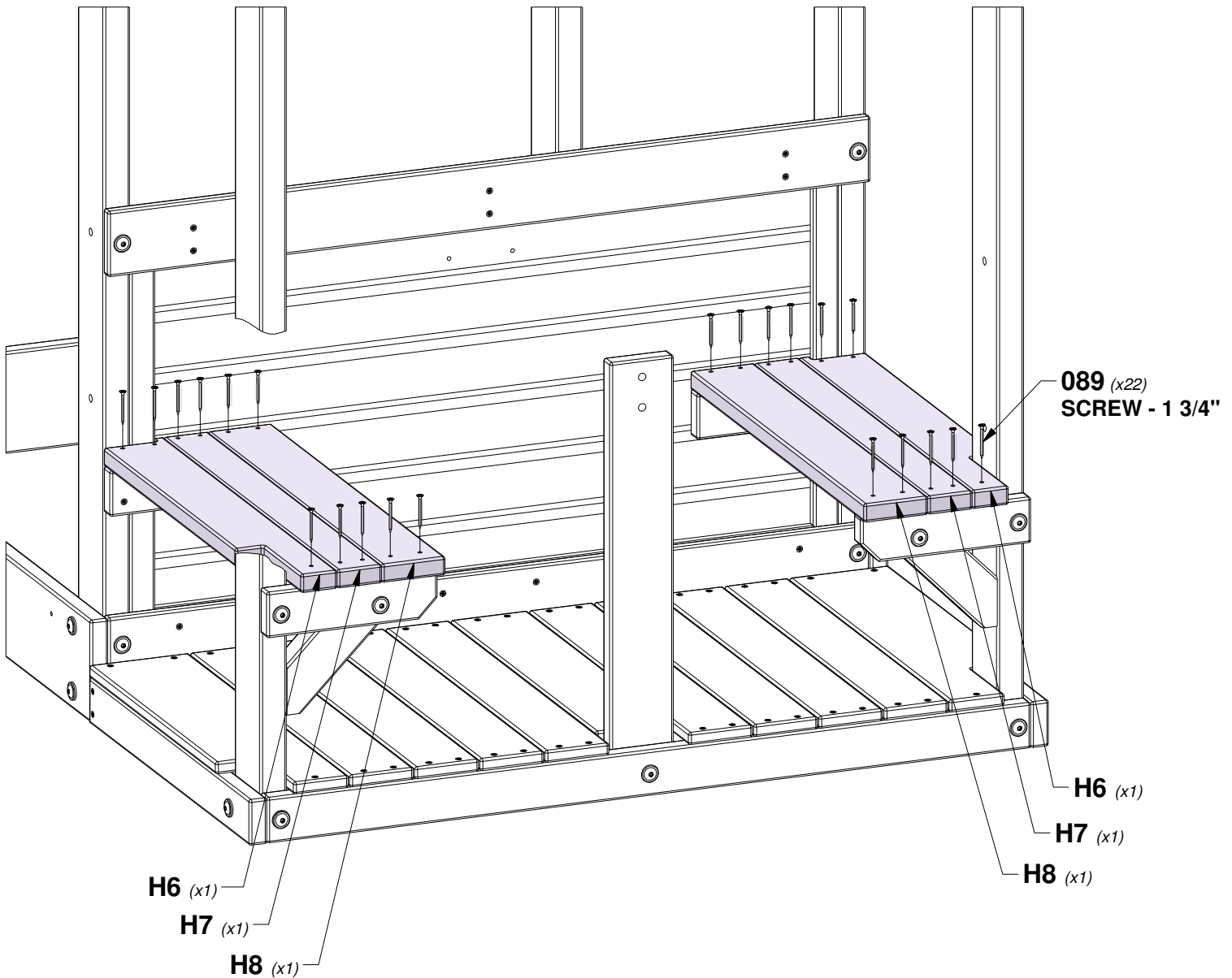


H7 BENCH BOARD - W4L17658
(x2) 1"x2 3/8"x23" (24x60x583)



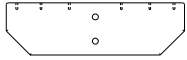
H8 BENCH BOARD - W4L17659
(x2) 1"x3 3/8"x23" (24x86x583)

TIP:
ALIGN PILOT HOLES BEFORE INSERTING SCREWS

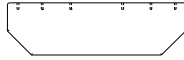


STEP 27 - FORT ASSEMBLY

| QTY | PART NUMBER | DESCRIPTION |
|-----|-------------|--------------------------|
| 12 | H100086 | SCREW PFH 8x1-1/2" |
| 2 | H100088 | SCREW PFH 8x1-1/8" |
| 2 | H100198 | WASHER LOCK EXT 8x19 BLK |
| 2 | H100378 | BOLT WH 5/16x1 3/4 BLK |
| 2 | H100379 | T-NUT 5/16 BLK |



H2 TABLE SUPPORT - W4L18018
(x1) 1"x3 3/8"x11 5/8" (24x86x295)



H3 TABLE SUPPORT - W4L18021
(x1) 1"x3 3/8"x11 5/8" (24x86x295)

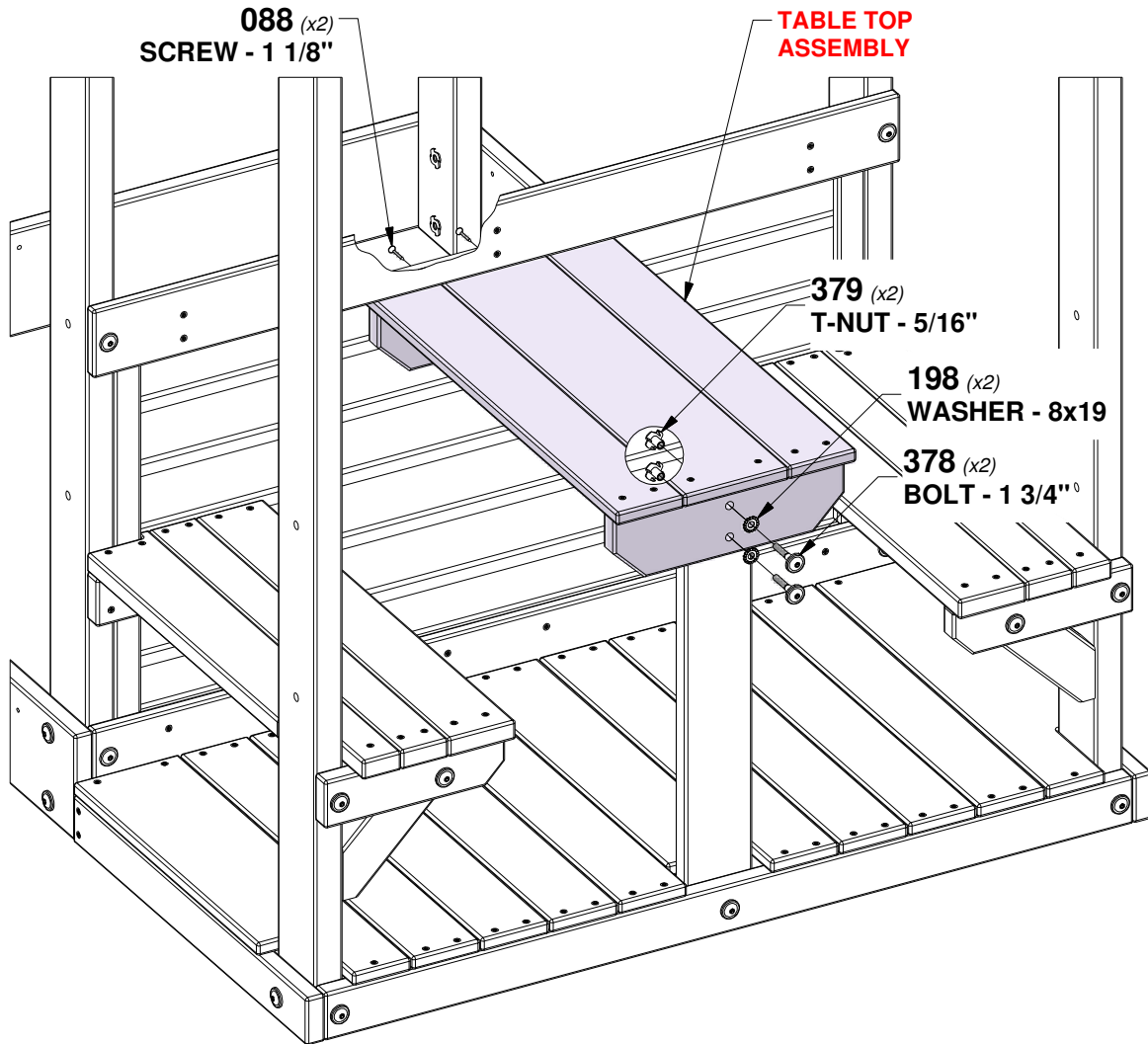
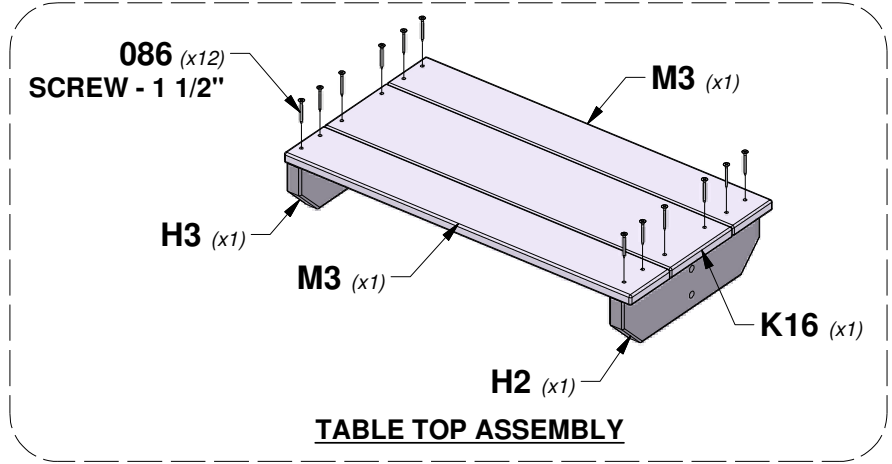


K16 TABLE BOARD - W4L18020
(x1) 5/8"x5 1/4"x23" (16x134x583)



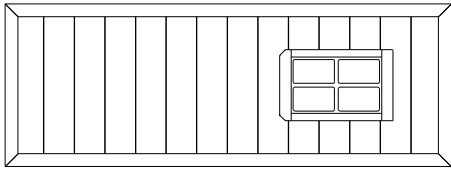
M3 BENCH BOARD - W4L18019
(x2) 5/8"x3 3/8"x23" (16x86x583)

TIP:
INSTALL T-NUTS IN WOOD FIRST

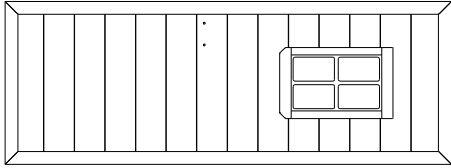


STEP 28 - FORT ASSEMBLY

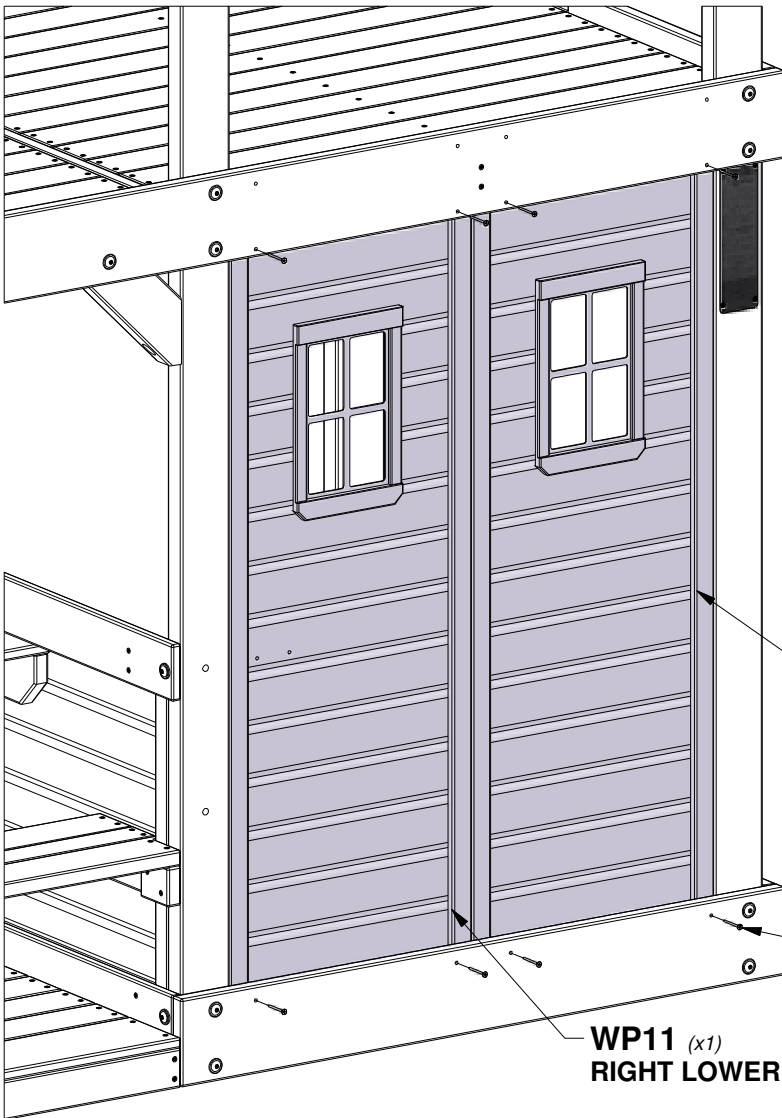
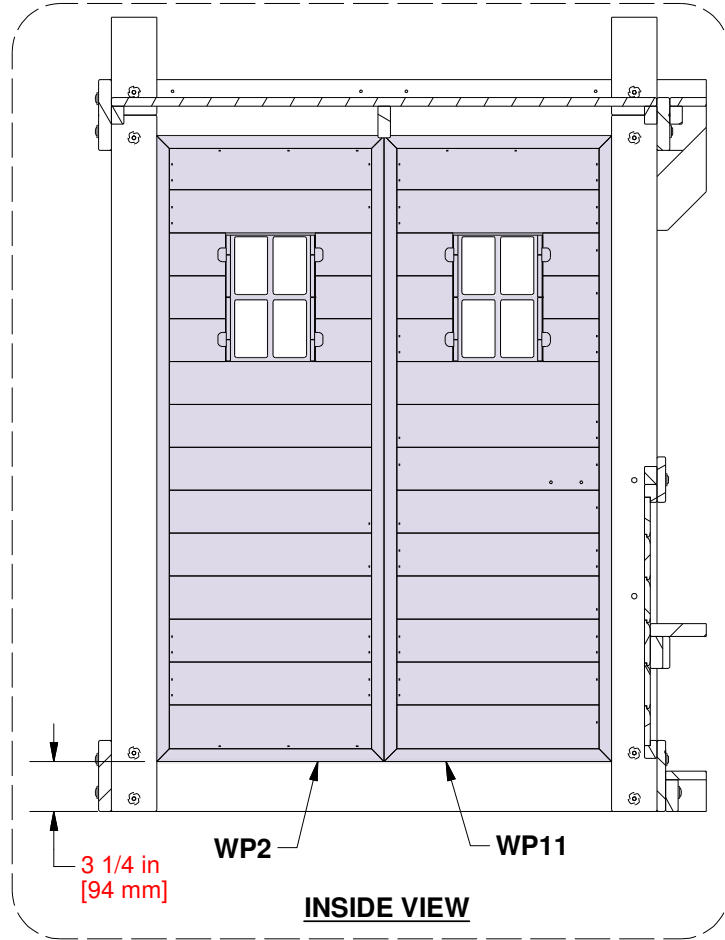
| QTY | PART NUMBER | DESCRIPTION |
|-----|-------------|-----------------------|
| 8 | H100382 | SCREW PFH 8x1 3/4 BLK |



WP2 RIGHT LOWER WALL PANEL - W2A02083
(x1) 1"x16 7/8"x46 1/2" (24x430x1181)



WP11 RIGHT LOWER WALL PANEL - W2A03845
(x1) 1"x16 7/8"x46 1/2" (24x430x1181)



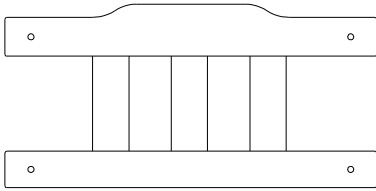
WP2 (x1)
RIGHT LOWER WALL PANEL

382 (x8)
SCREW - 1 3/4"

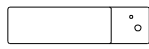
WP11 (x1)
RIGHT LOWER WALL PANEL

STEP 29 - FORT ASSEMBLY

| QTY | PART NUMBER | DESCRIPTION |
|-----|-------------|--------------------------|
| 2 | H100086 | SCREW PFH 8x1-1/2" |
| 1 | H100195 | BOLT WH 5/16x2-3/4 BLK |
| 4 | H100198 | WASHER LOCK EXT 8x19 BLK |
| 1 | H100200 | SCREW PFH 8x1-1/2 BLK |
| 4 | H100379 | T-NUT 5/16 BLK |
| 3 | H100457 | BOLT WH 5/16x2 BLK |

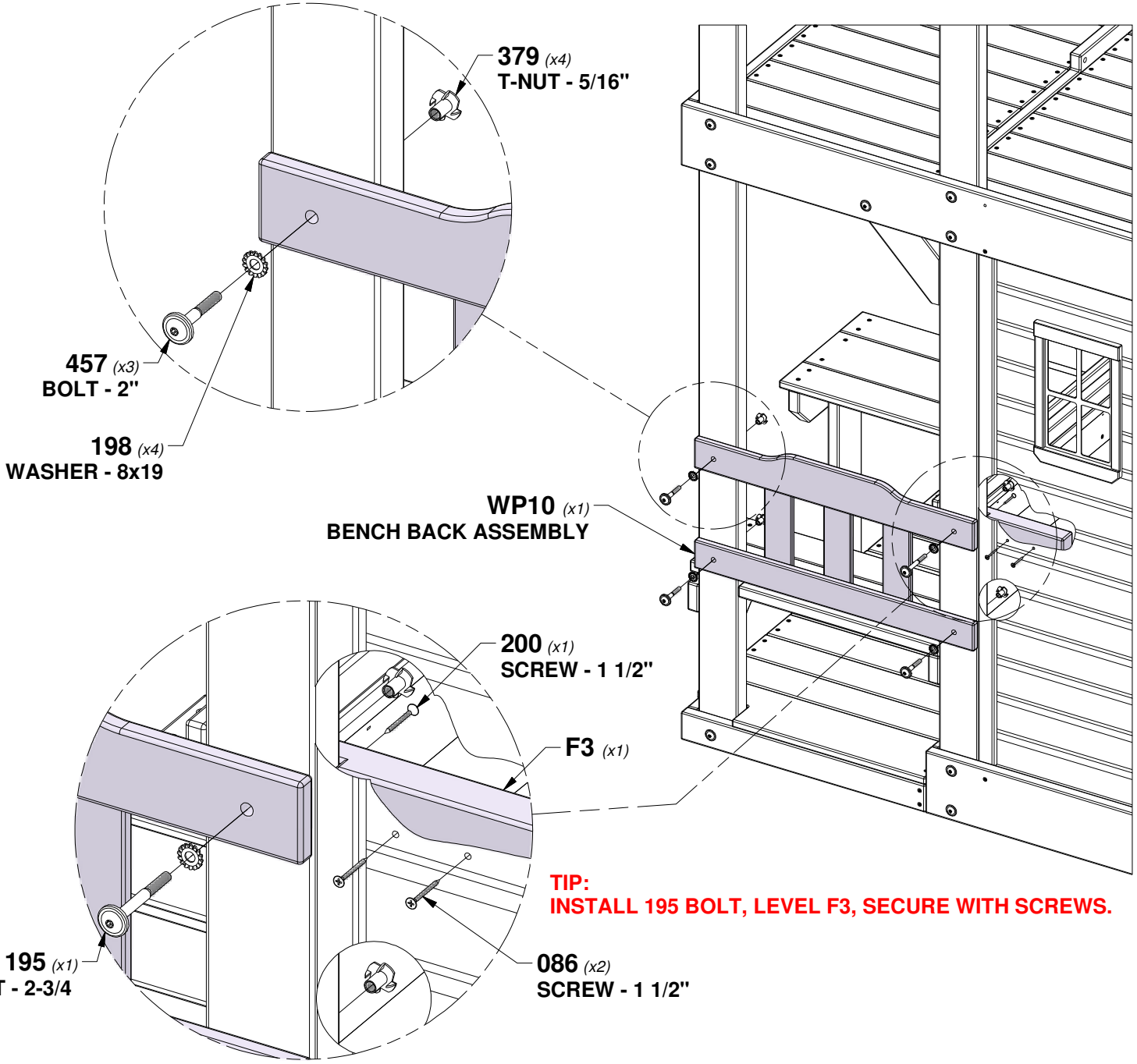


WP10 BENCH BACK ASSEMBLY - W2A02081
 (x1) 1 1/8"x11 7/8"x24 1/4" (27x303x615)



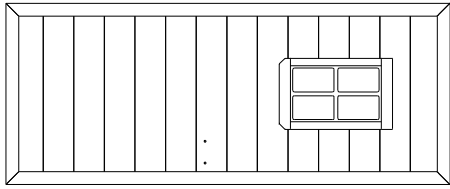
F3 SUPPORT BLOCK - W4L11159
 (x1) 1 3/8"x2 3/8"x9 1/4" (36x60x234)

TIP:
INSTALL T-NUTS IN WOOD FIRST

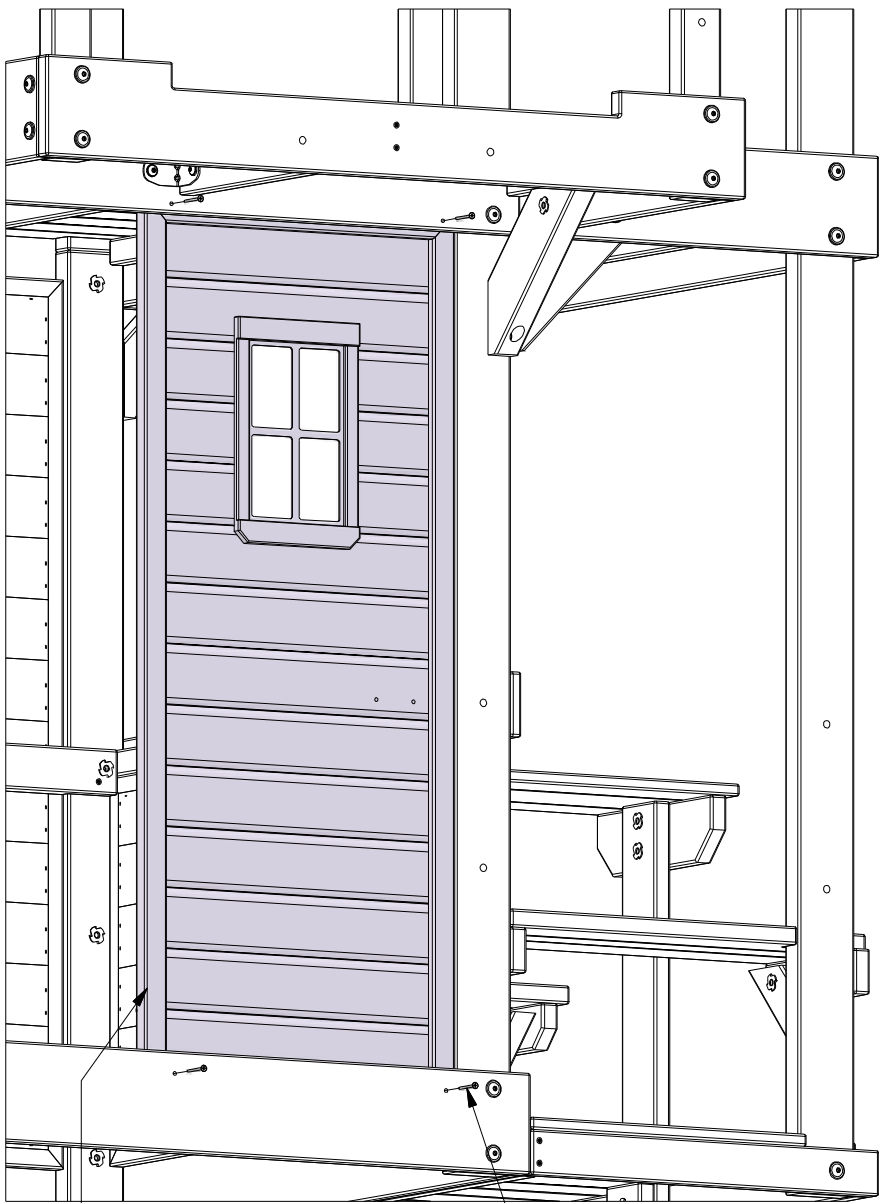


STEP 30 - FORT ASSEMBLY

| QTY | PART NUMBER | DESCRIPTION |
|-----|-------------|-----------------------|
| 4 | H100382 | SCREW PFH 8x1 3/4 BLK |

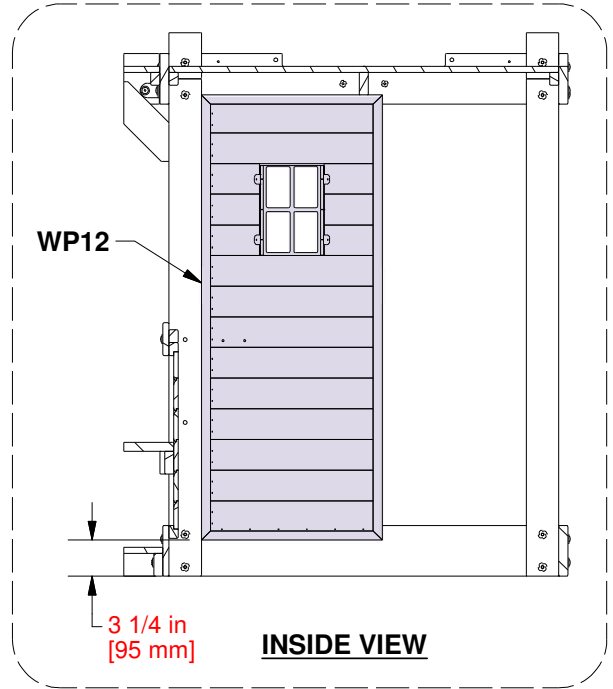


WP12 LOWER WALL PANEL - W2A03846
 (x1) 1"x16 7/8"x46 1/2" (24x479x1176)



WP12 (x1)
LOWER WALL PANEL

382 (x4)
SCREW - 1 3/4"



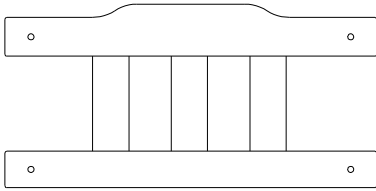
WP12

3 1/4 in
 [95 mm]

INSIDE VIEW

STEP 31 - FORT ASSEMBLY

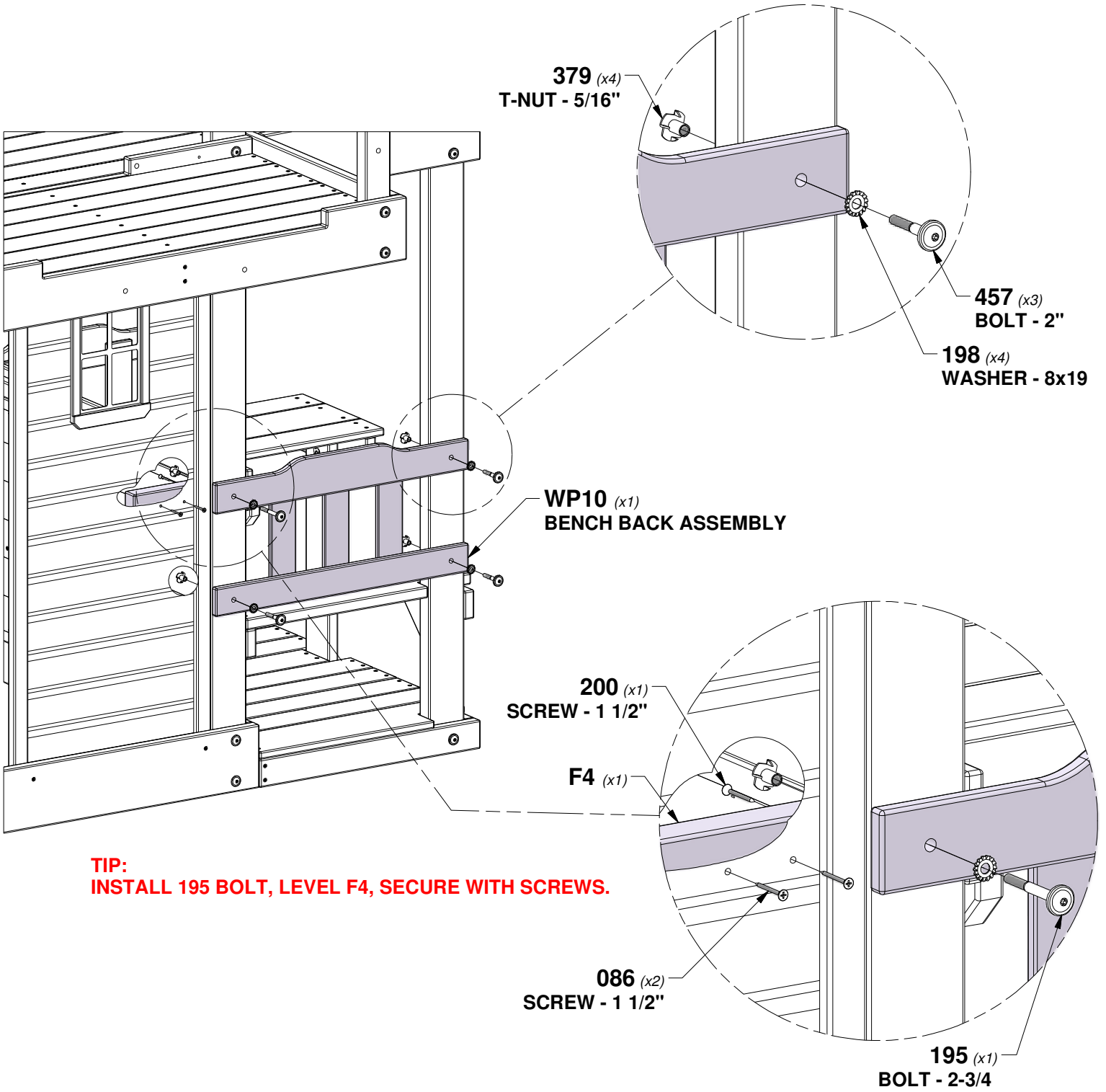
| QTY | PART NUMBER | DESCRIPTION |
|-----|-------------|--------------------------|
| 2 | H100086 | SCREW PFH 8x1-1/2" |
| 1 | H100195 | BOLT WH 5/16x2-3/4 BLK |
| 4 | H100198 | WASHER LOCK EXT 8x19 BLK |
| 1 | H100200 | SCREW PFH 8x1-1/2 BLK |
| 4 | H100379 | T-NUT 5/16 BLK |
| 3 | H100457 | BOLT WH 5/16x2 BLK |



F4 SUPPORT BLOCK - W4L11160
 (x1) 1 3/8"x2 3/8"x9 1/4" (36x60x234)

WP10 BENCH BACK ASSEMBLY - W2A02081
 (x1) 1 1/8"x11 7/8"x24 1/4" (27x303x615)

TIP:
INSTALL T-NUTS IN WOOD FIRST



TIP:
INSTALL 195 BOLT, LEVEL F4, SECURE WITH SCREWS.

STEP 32 - FORT ASSEMBLY

| QTY | PART NUMBER | DESCRIPTION |
|-----|-------------|--------------------|
| 14 | H100086 | SCREW PFH 8x1-1/2" |

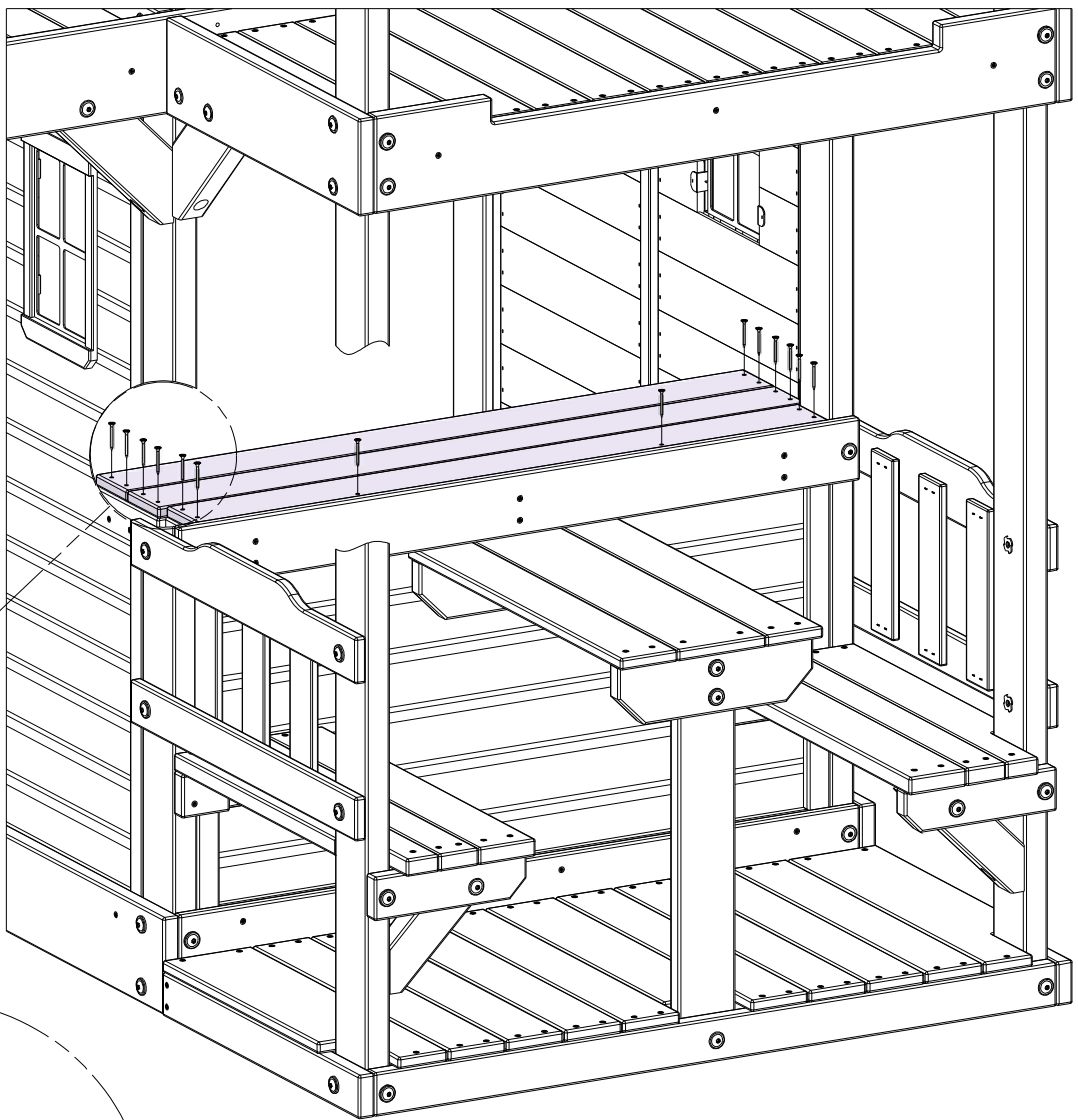


M6 COUNTER TOP - W4L07605
 (x1) 5/8"x3 3/8"x37 5/8" (16x86x957)

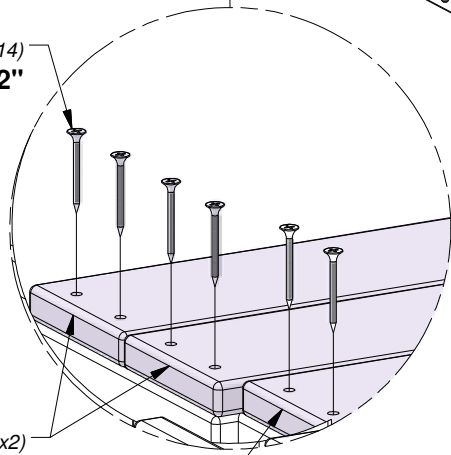


M7 COUNTER TOP - W4L07606
 (x2) 5/8"x3 3/8"x38 5/8" (16x86x981)

TIP:
 PLACE BOARDS EVENLY
 BEFORE INSERTING SCREWS



086 (x14)
 SCREW - 1 1/2"

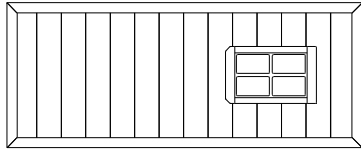


M7 (x2)

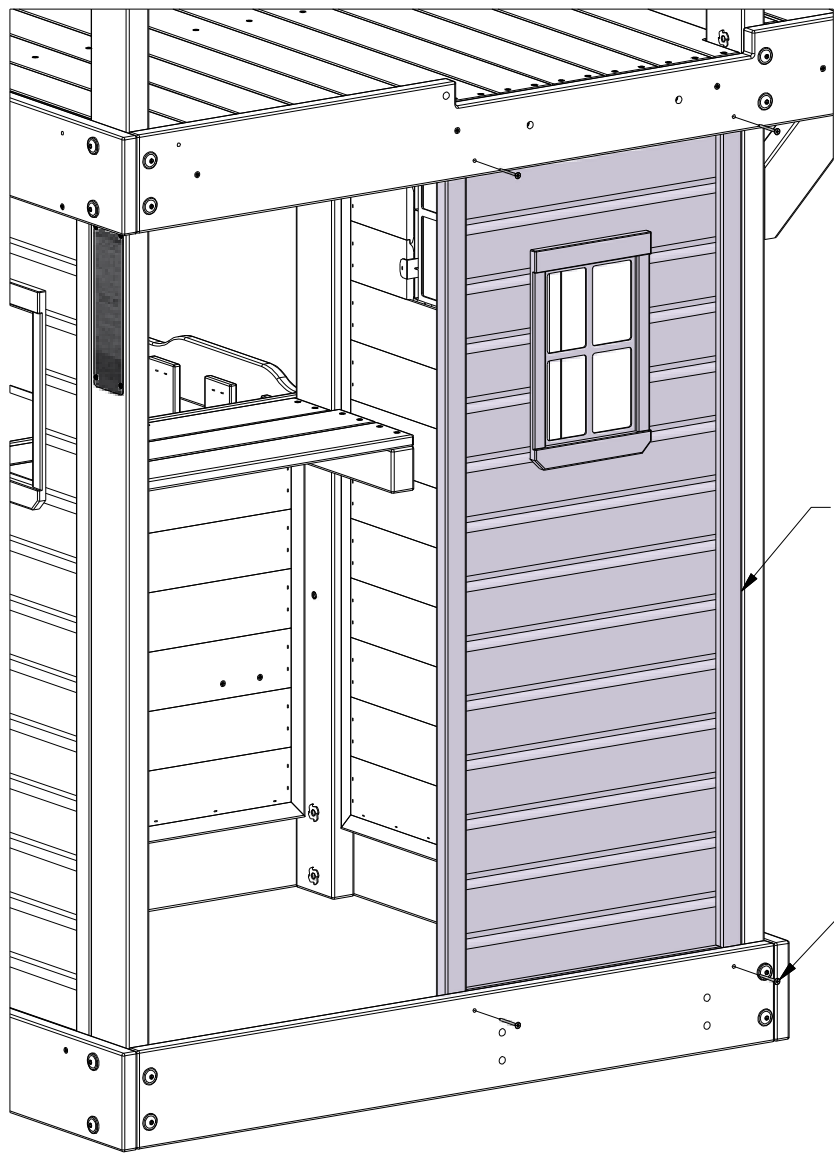
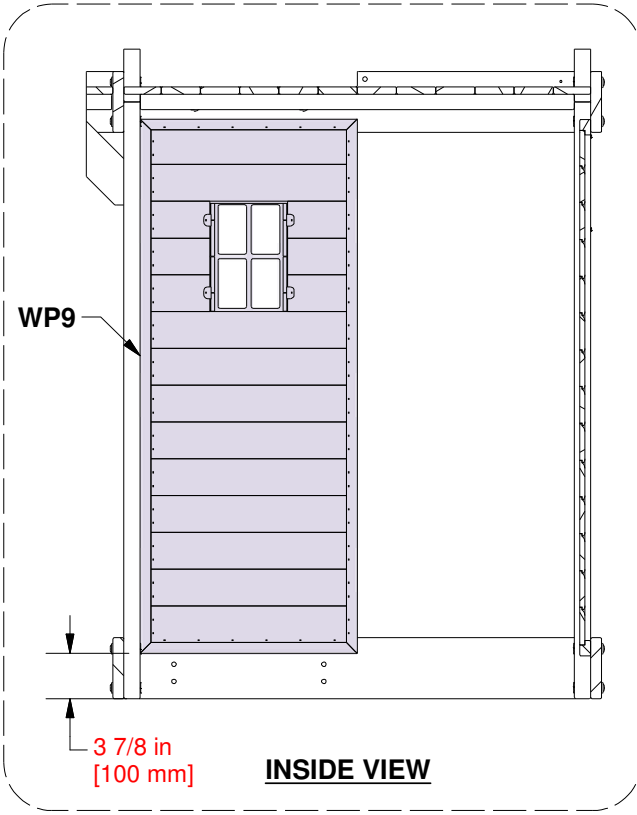
M6 (x1)

STEP 33 - FORT ASSEMBLY

| QTY | PART NUMBER | DESCRIPTION |
|-----|-------------|-----------------------|
| 4 | H100382 | SCREW PFH 8x1 3/4 BLK |



WP9 LOWER WALL PANEL - W2A02090
 (x1) 1"x16 7/8"x46 1/2" (24x479x1176)

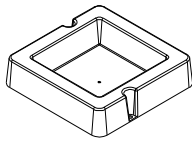
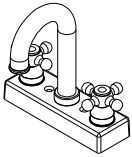


WP9 (x1)
LOWER WALL PANEL

382 (x4)
SCREW - 1 3/4"

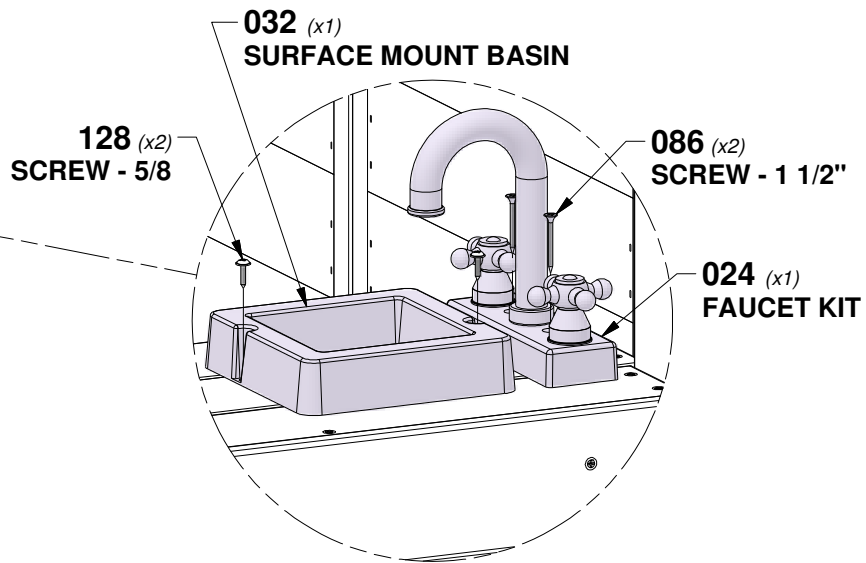
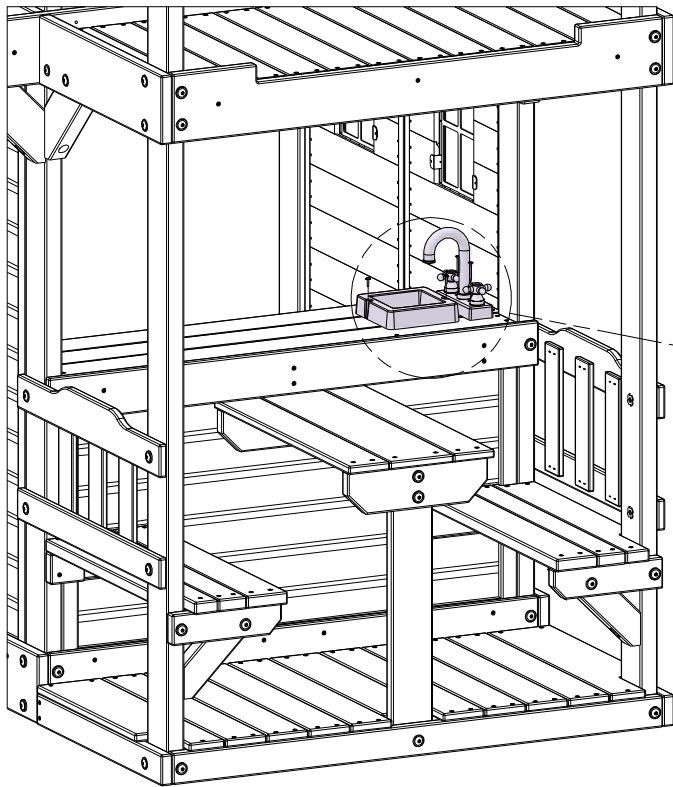
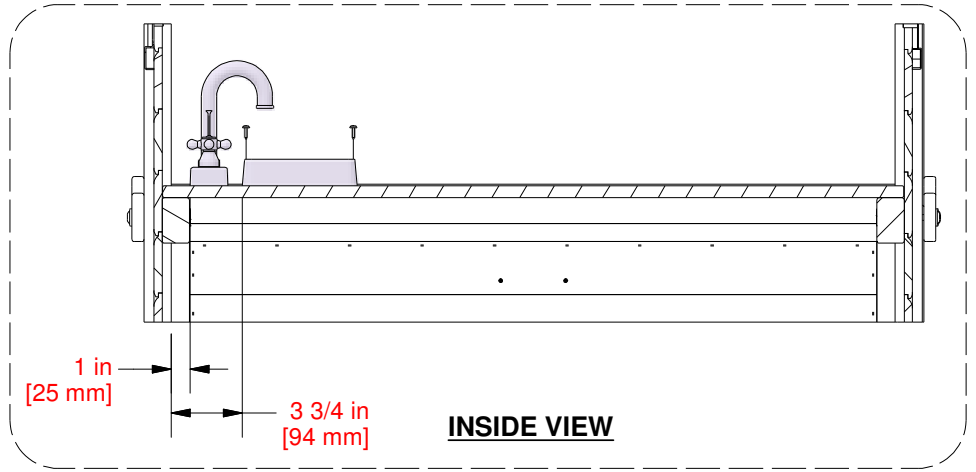
STEP 34 - FORT ASSEMBLY

| QTY | PART NUMBER | DESCRIPTION |
|-----|-------------|--------------------|
| 2 | H100086 | SCREW PFH 8x1-1/2" |
| 2 | H100128 | SCREW PWH 8x5/8 |



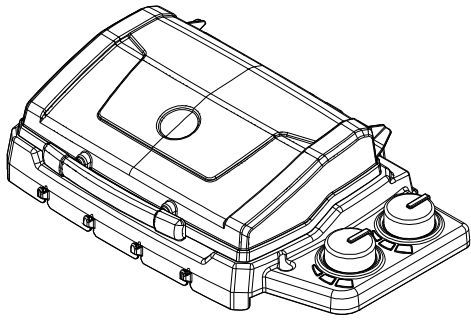
A6P00024
(x1) FAUCET KIT

A6P00032 SURFACE
(x1) MOUNT BASIN

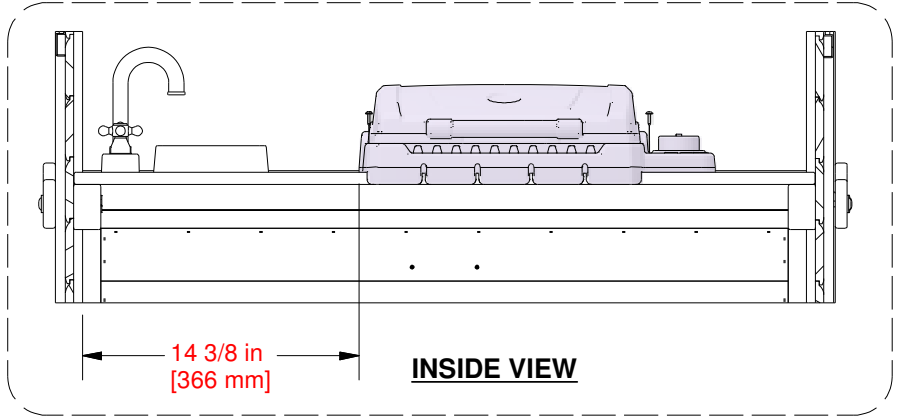


STEP 35 - FORT ASSEMBLY

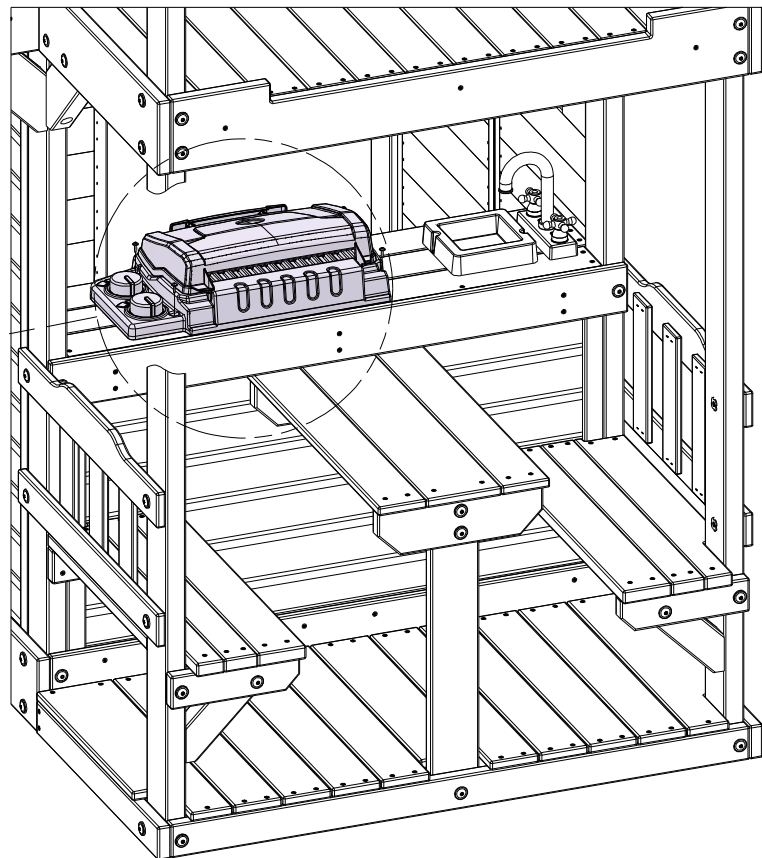
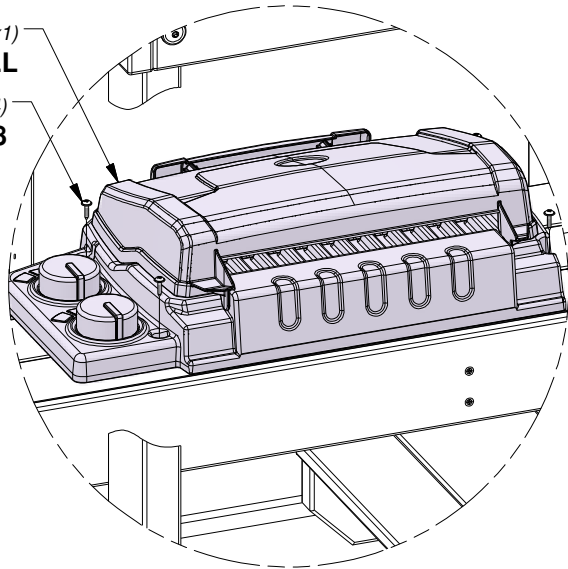
| QTY | PART NUMBER | DESCRIPTION |
|-----|-------------|-----------------|
| 4 | H100128 | SCREW PWH 8x5/8 |



A6P00282 BBQ GRILL
(x1)

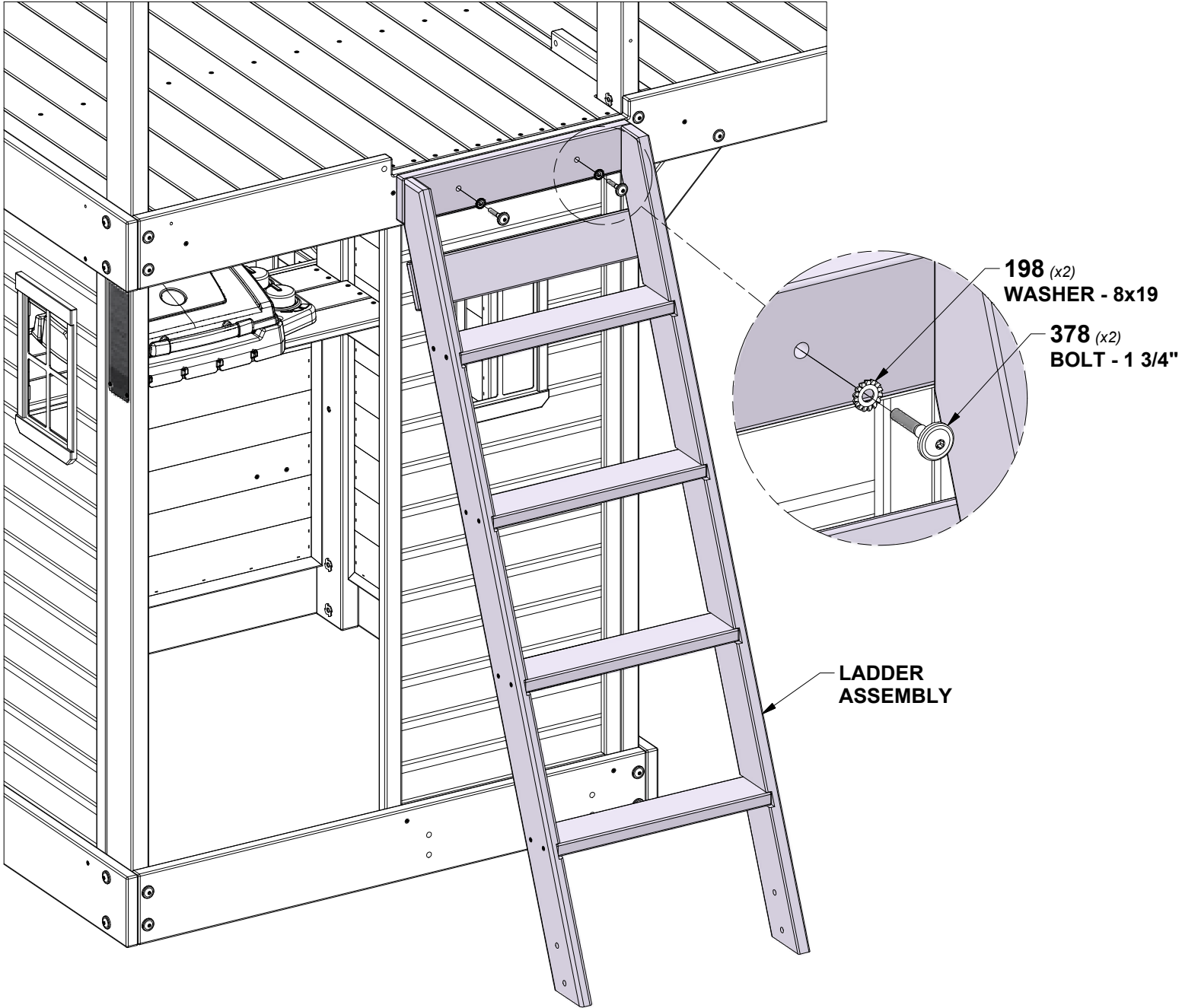


282 (x1)
BBQ GRILL
128 (x4)
SCREW - 5/8



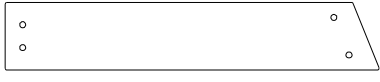
STEP 36 - FORT ASSEMBLY

| QTY | PART NUMBER | DESCRIPTION |
|-----|-------------|--------------------------|
| 2 | H100198 | WASHER LOCK EXT 8x19 BLK |
| 2 | H100378 | BOLT WH 5/16x1 3/4 BLK |

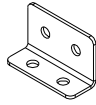


STEP 37 - FORT ASSEMBLY

| QTY | PART NUMBER | DESCRIPTION |
|-----|-------------|--------------------------|
| 4 | H100198 | WASHER LOCK EXT 8x19 BLK |
| 4 | H100378 | BOLT WH 5/16x1 3/4 BLK |
| 12 | H100379 | T-NUT 5/16 BLK |
| 8 | H100468 | BOLT WH 5/16x1 BLK |

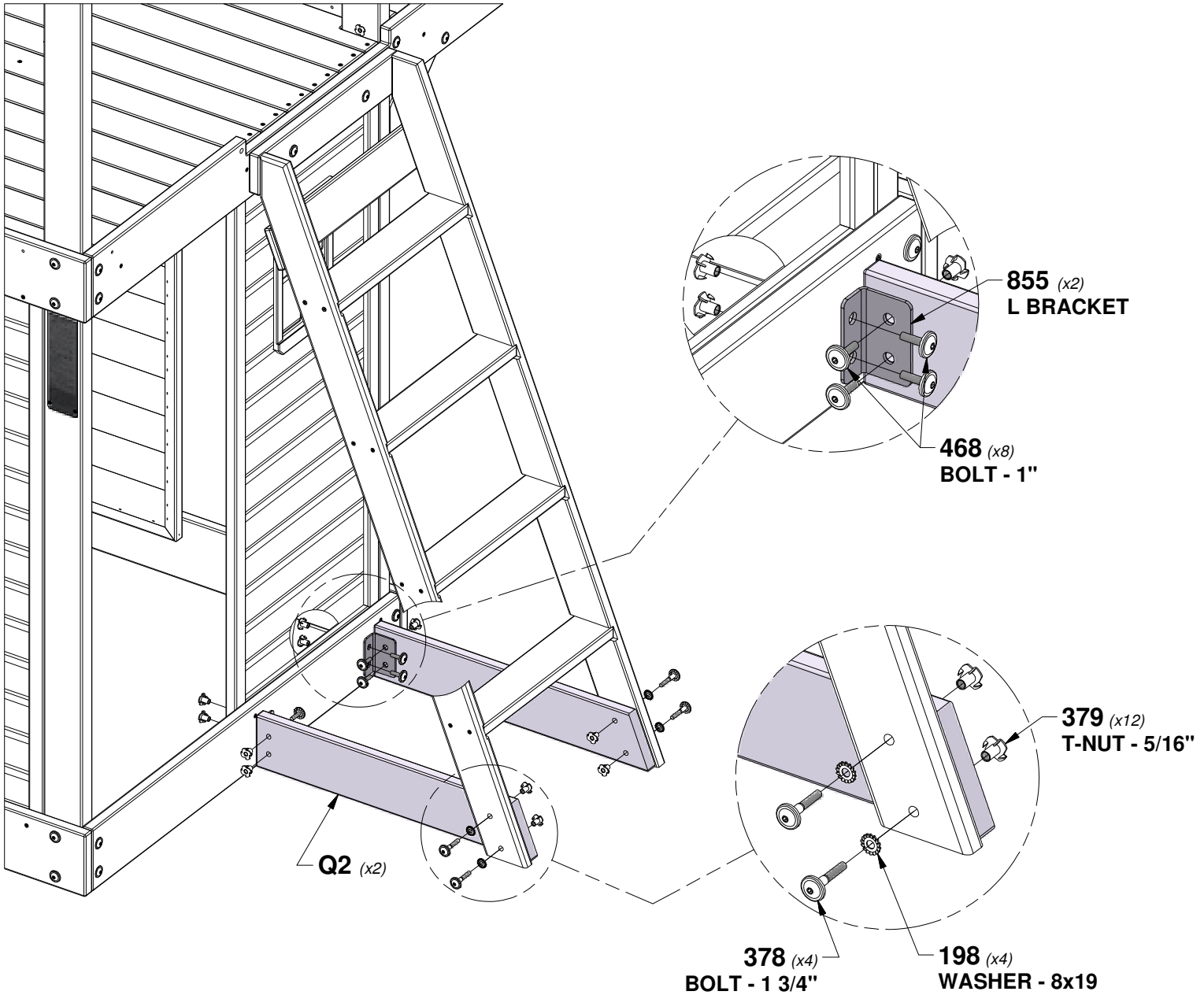


Q2 GROUND BOARD - W4L17640
(x2) 1"x4 3/8"x24 3/8" (24x112x620)

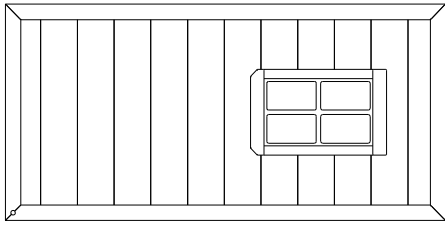


A4M00855 L BRACKET
(x2) 51x32x82x3.175

TIP:
INSTALL T-NUTS IN WOOD FIRST



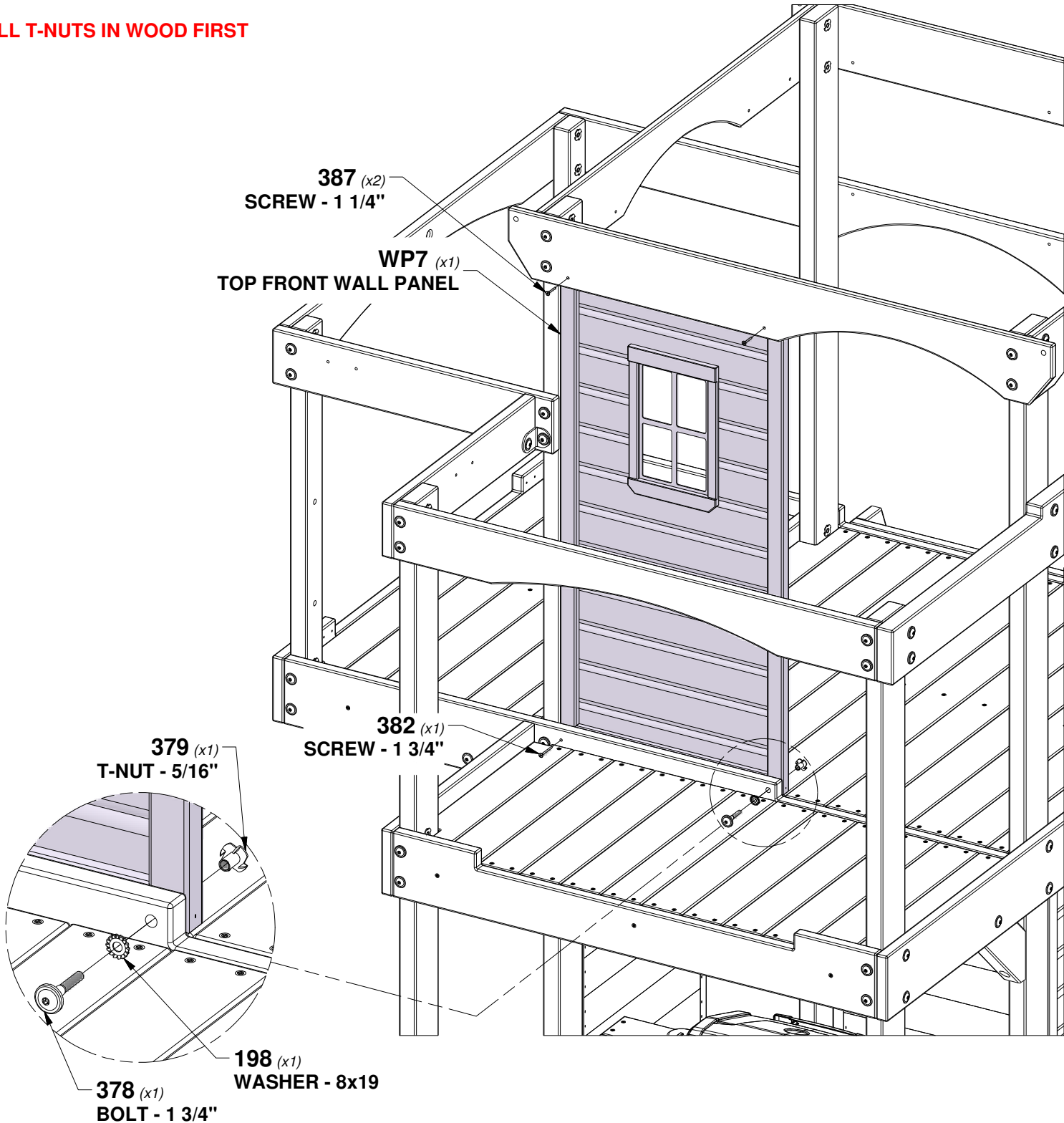
STEP 38 - FORT ASSEMBLY



WP7 TOP FRONT WALL PANEL - W2A03840
 (x1) 1"x16 7/8"x46 1/2" (24x476x971)

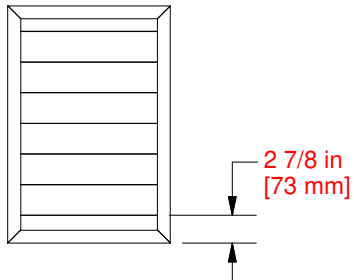
| QTY | PART NUMBER | DESCRIPTION |
|-----|-------------|--------------------------|
| 1 | H100198 | WASHER LOCK EXT 8x19 BLK |
| 1 | H100378 | BOLT WH 5/16x1 3/4 BLK |
| 1 | H100379 | T-NUT 5/16 BLK |
| 1 | H100382 | SCREW PFH 8x1-3/4 BLK |
| 2 | H100387 | SCREW PFH 8x1-1/4 BLK |

TIP:
INSTALL T-NUTS IN WOOD FIRST

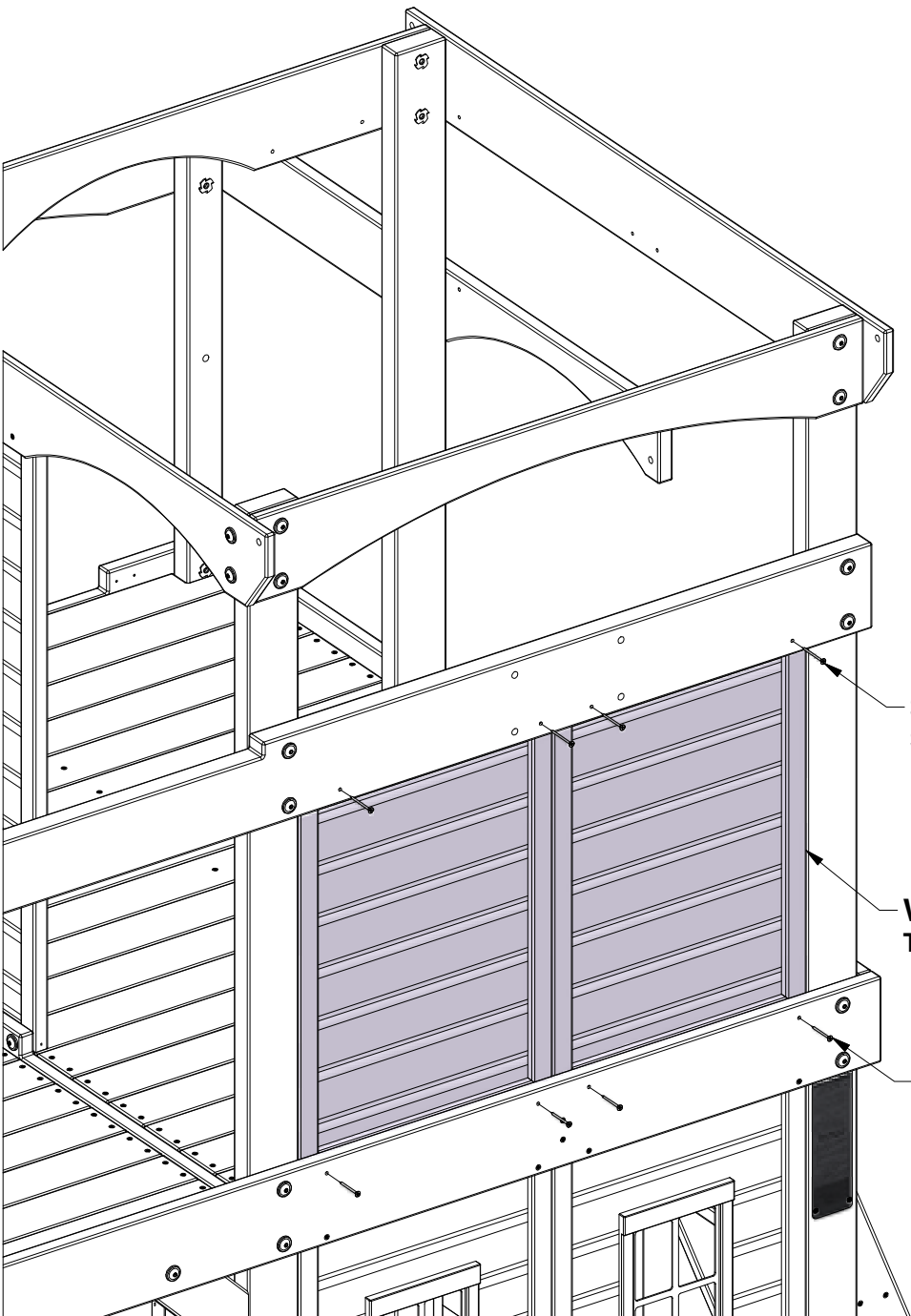
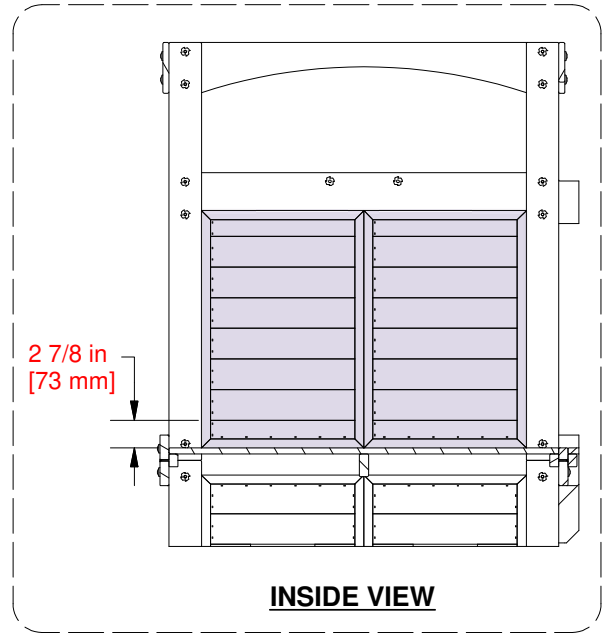


STEP 39 - FORT ASSEMBLY

| QTY | PART NUMBER | DESCRIPTION |
|-----|-------------|-----------------------|
| 4 | H100382 | SCREW PFH 8x1 3/4 BLK |
| 4 | H100391 | SCREW PFH 8x2 BLK |



WP4 TOP RIGHT FRONT WALL PANEL - W2A03841
(x2) 1"x16 7/8"x24 5/8" (24x430x627)

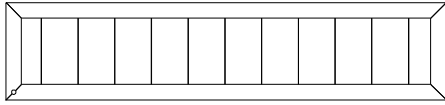


391 (x4)
SCREW - 2"

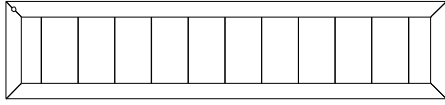
WP4 (x2)
TOP RIGHT FRONT WALL PANEL

382 (x4)
SCREW - 1 3/4"

STEP 40 - FORT ASSEMBLY



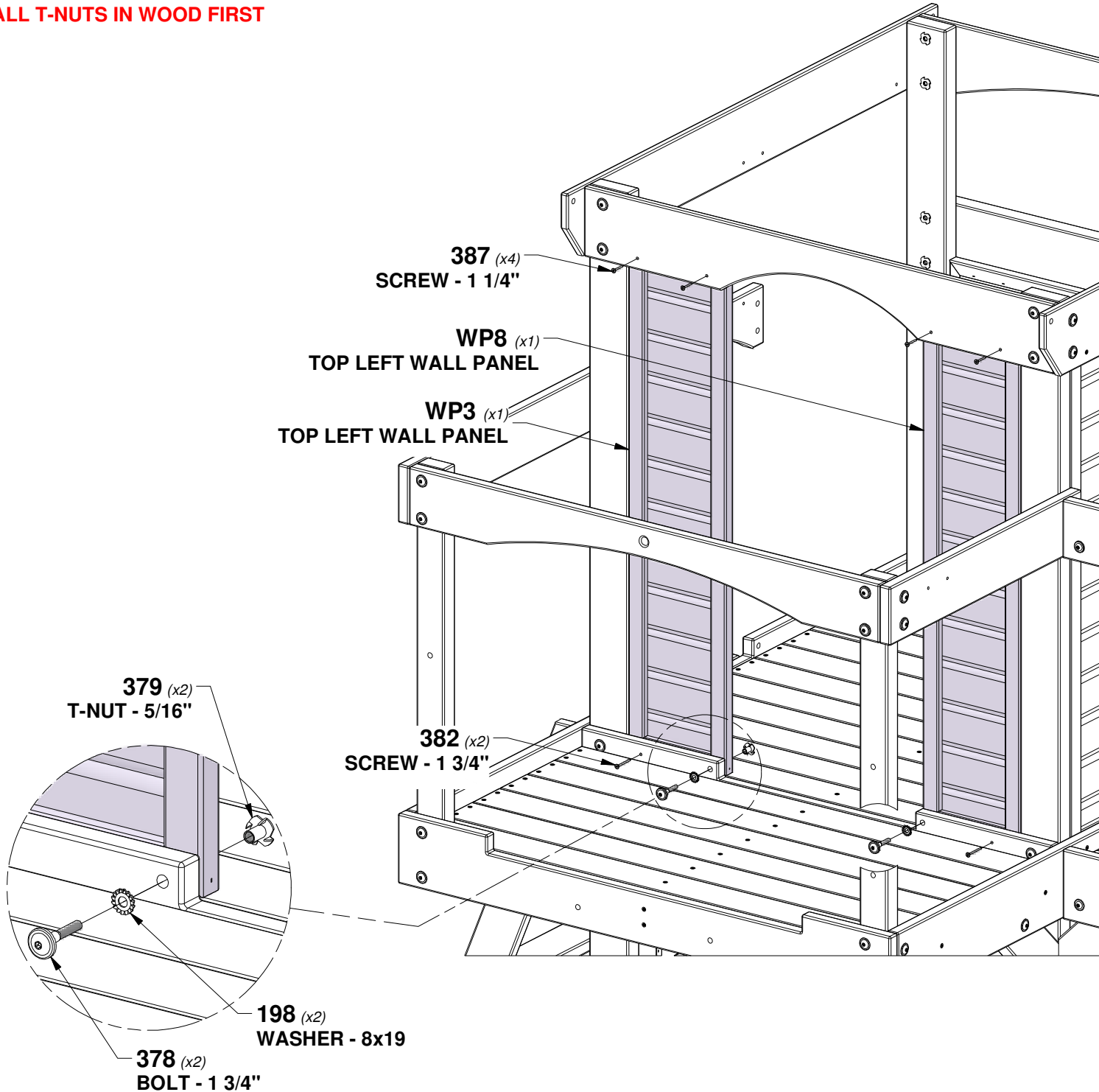
WP3 TOP LEFT WALL PANEL - W2A03843
(x1) 1"x18 7/8"x11 3/4" (24x214x971)



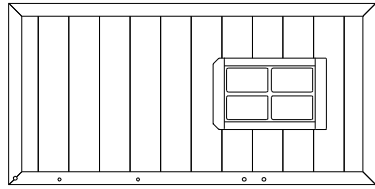
WP8 TOP LEFT WALL PANEL - W2A03844
(x1) 1"x18 7/8"x11 3/4" (24x214x971)

| QTY | PART NUMBER | DESCRIPTION |
|-----|-------------|--------------------------|
| 2 | H100198 | WASHER LOCK EXT 8x19 BLK |
| 2 | H100378 | BOLT WH 5/16x1 3/4 BLK |
| 2 | H100379 | T-NUT 5/16 BLK |
| 2 | H100382 | SCREW PFH 8x1-3/4 BLK |
| 4 | H100387 | SCREW PFH 8x1-1/4 BLK |

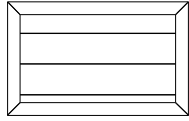
TIP:
INSTALL T-NUTS IN WOOD FIRST



STEP 41 - FORT ASSEMBLY



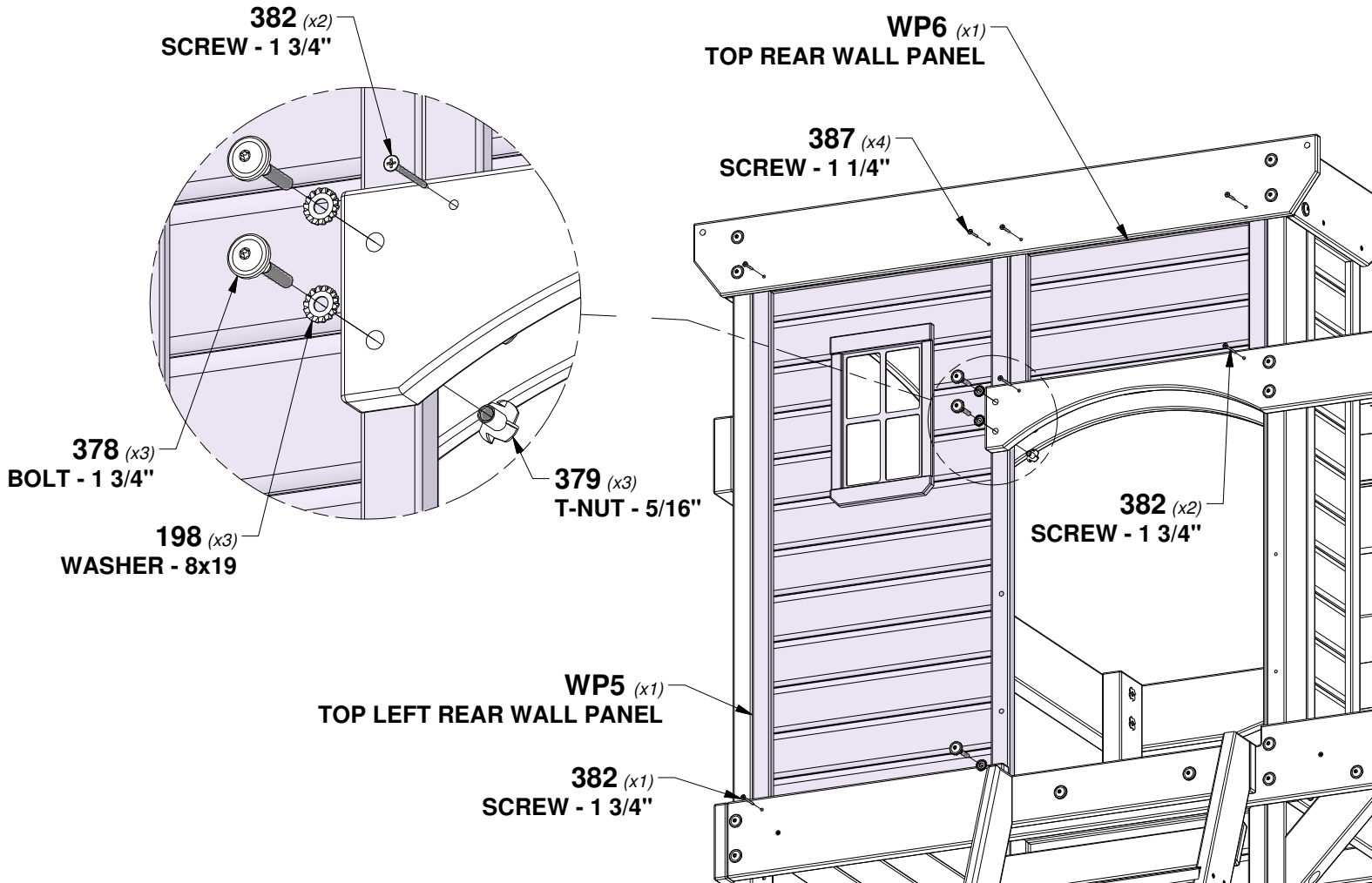
WP5 TOP LEFT REAR WALL PANEL - W2A03842
 (x1) 1"x16 7/8"x46 1/2" (24x479x971)



WP6 TOP REAR WALL PANEL - W2A02087
 (x1) 1"x18 7/8"x11 3/4" (24x479x300)

| QTY | PART NUMBER | DESCRIPTION |
|-----|-------------|--------------------------|
| 3 | H100198 | WASHER LOCK EXT 8x19 BLK |
| 3 | H100378 | BOLT WH 5/16x1 3/4 BLK |
| 3 | H100379 | T-NUT 5/16 BLK |
| 3 | H100382 | SCREW PFH 8x1-3/4 BLK |
| 4 | H100387 | SCREW PFH 8x1-1/4 BLK |

TIP:
INSTALL T-NUTS IN WOOD FIRST

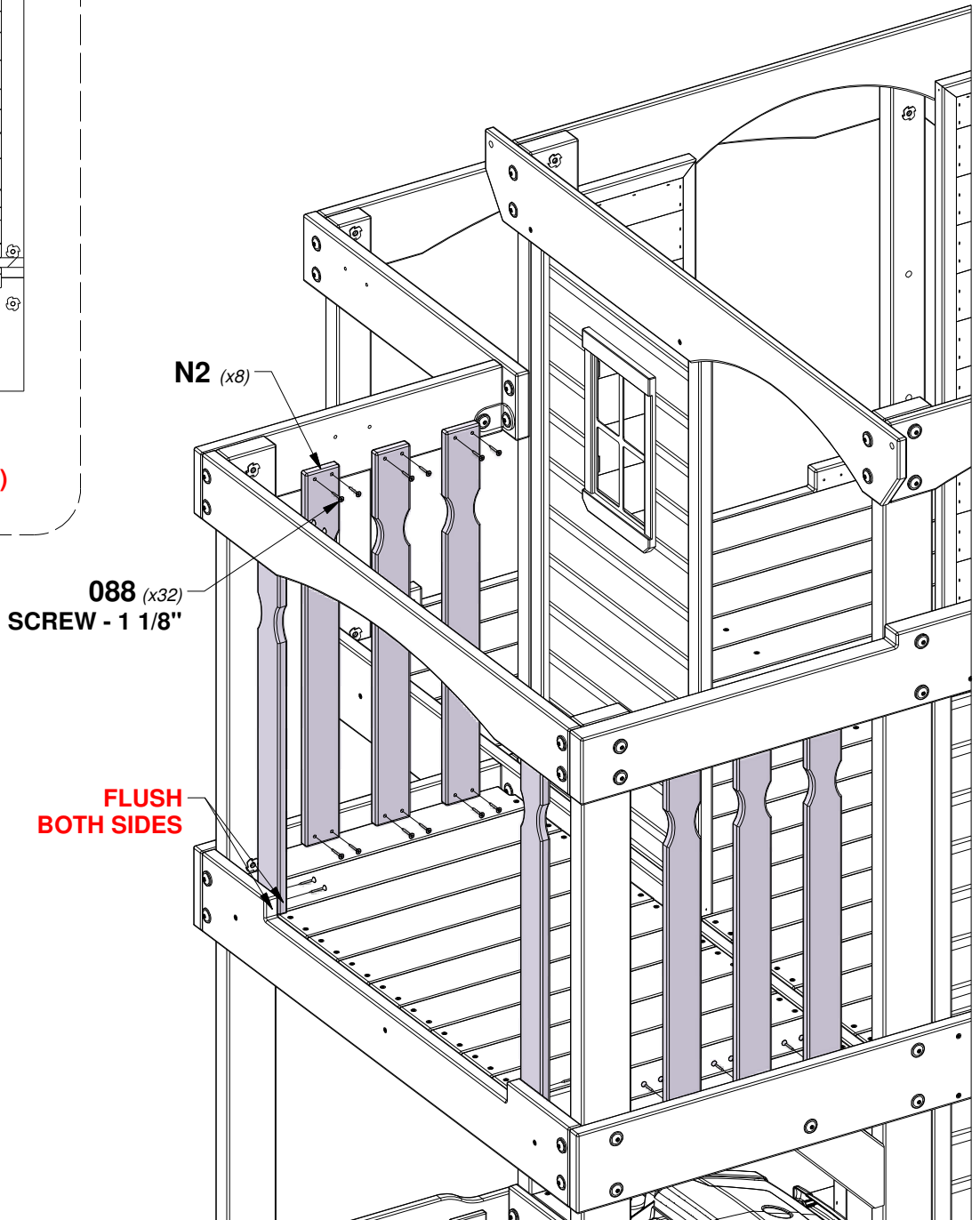
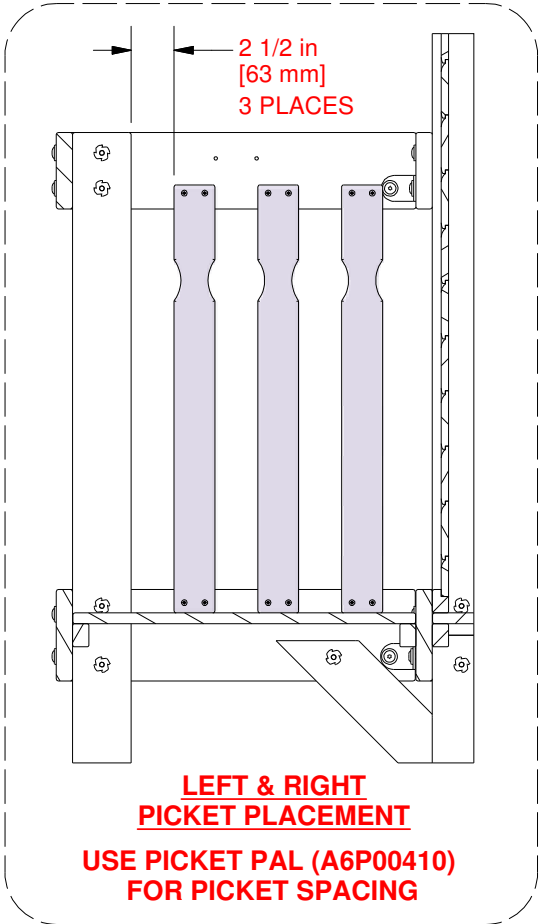


STEP 42 - FORT ASSEMBLY

| QTY | PART NUMBER | DESCRIPTION |
|-----|-------------|--------------------|
| 32 | H100088 | SCREW PFH 8x1-1/8" |



N2 PICKET - W4L07612
(x8) 5/8"x2 3/8"x24 3/4" (16x60x628)

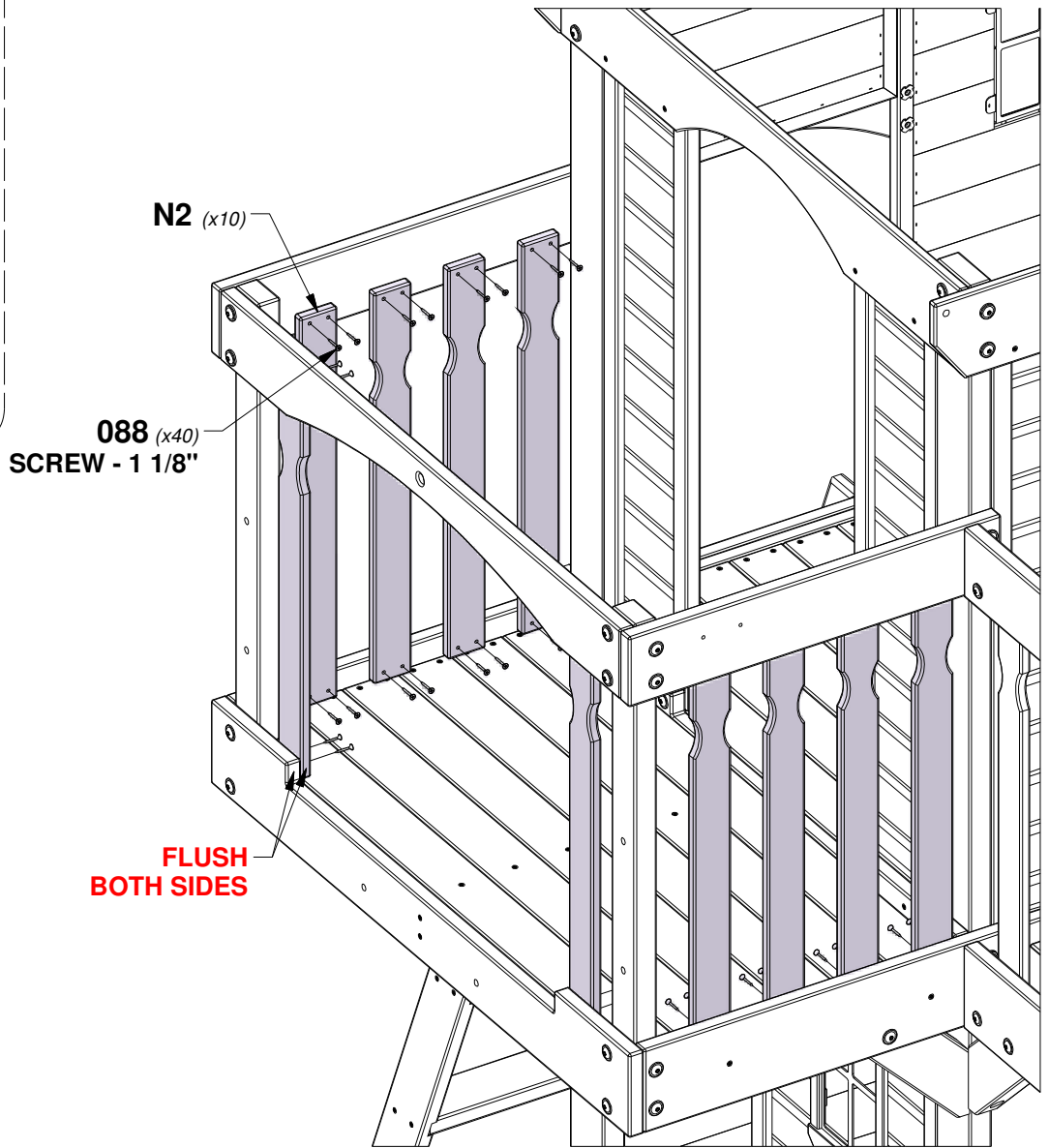
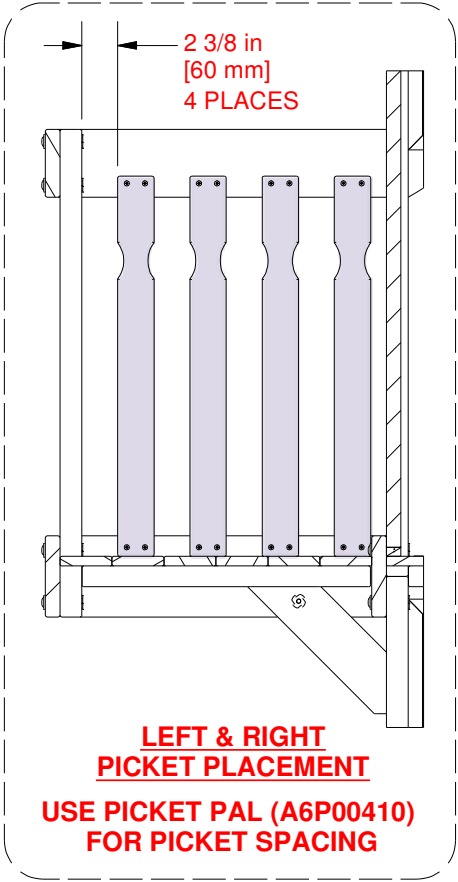


STEP 43 - FORT ASSEMBLY

| QTY | PART NUMBER | DESCRIPTION |
|-----|-------------|--------------------|
| 40 | H100088 | SCREW PFH 8x1-1/8" |

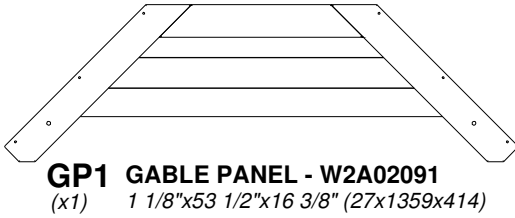


N2 PICKET - W4L07612
 (x10) 5/8"x2 3/8"x24 3/4" (16x60x628)

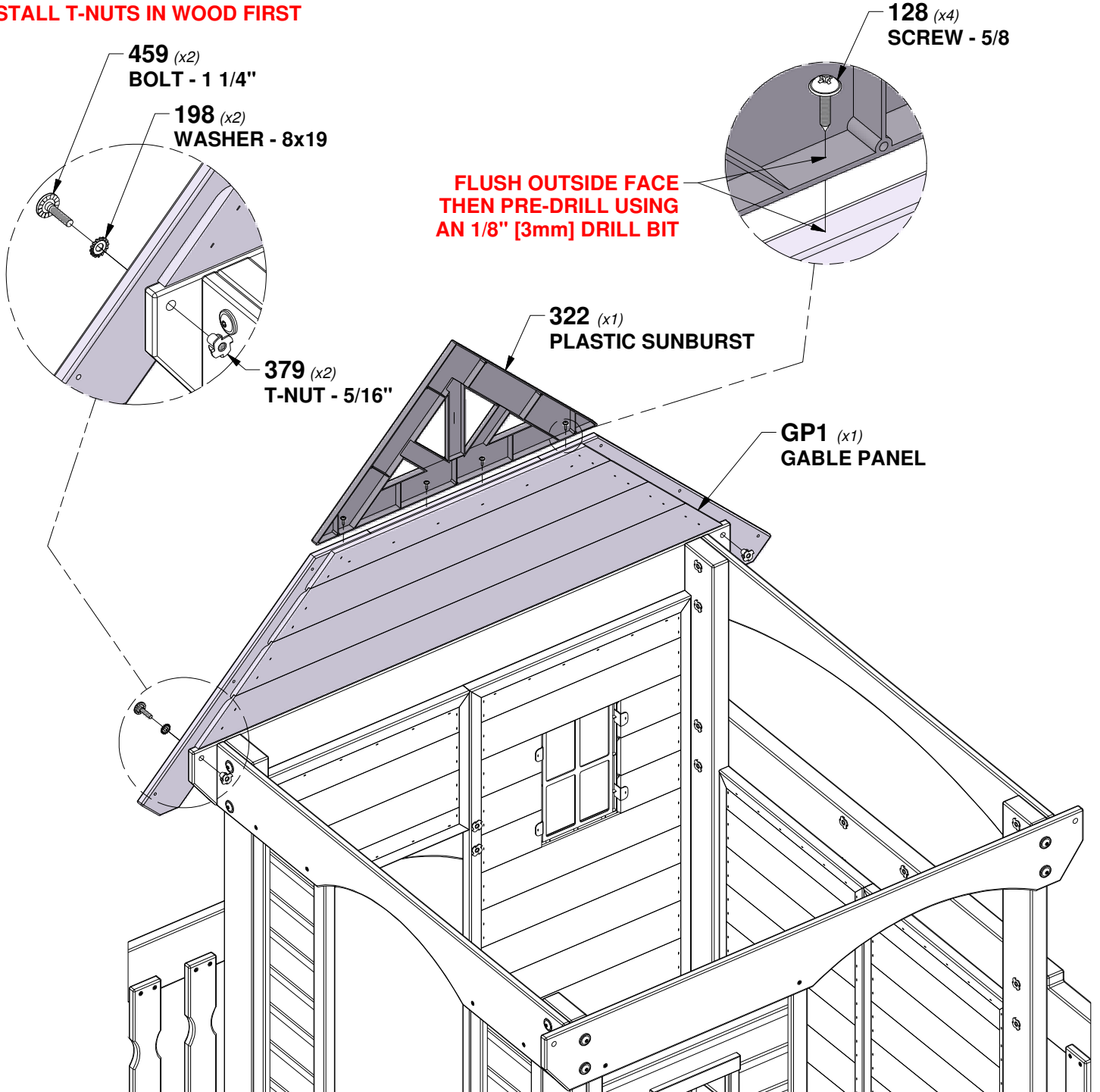


STEP 44 - FORT ASSEMBLY

| QTY | PART NUMBER | DESCRIPTION |
|-----|-------------|--------------------------|
| 4 | H100128 | SCREW PWH 8x5/8 |
| 2 | H100198 | WASHER LOCK EXT 8x19 BLK |
| 2 | H100379 | T-NUT 5/16 BLK |
| 2 | H100459 | BOLT WH 5/16x1 1/4 BLK |

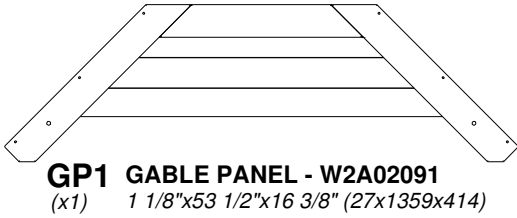


TIP:
INSTALL T-NUTS IN WOOD FIRST



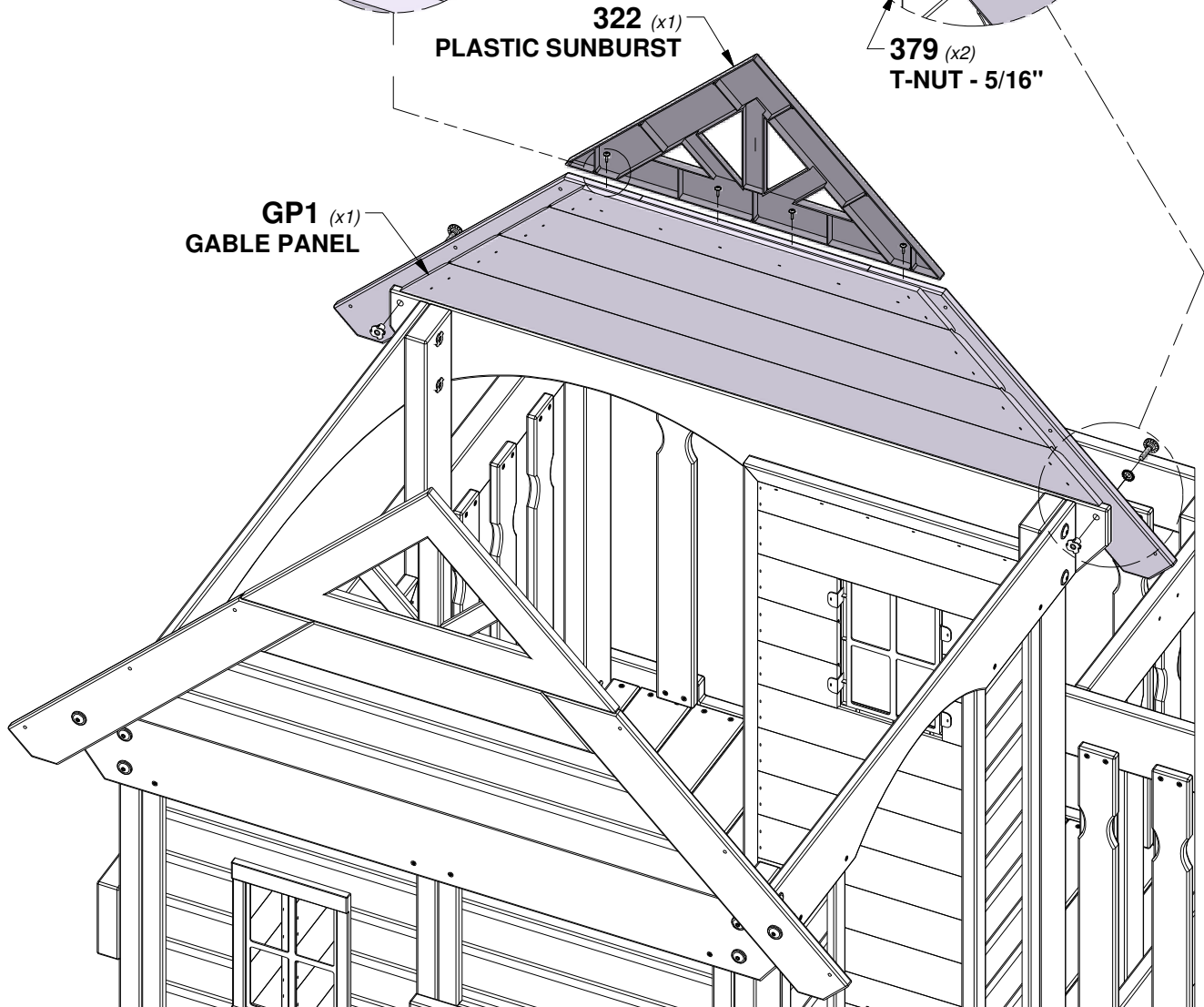
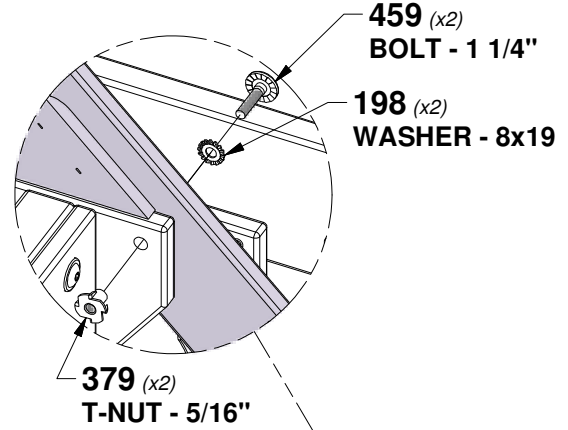
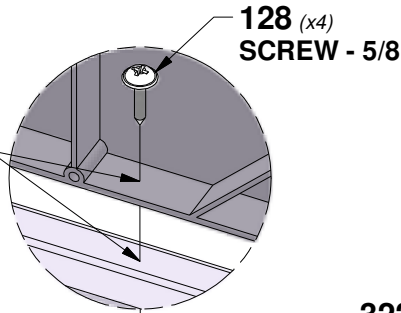
STEP 45 - FORT ASSEMBLY

| QTY | PART NUMBER | DESCRIPTION |
|-----|-------------|--------------------------|
| 4 | H100128 | SCREW PWH 8x5/8 |
| 2 | H100198 | WASHER LOCK EXT 8x19 BLK |
| 2 | H100379 | T-NUT 5/16 BLK |
| 2 | H100459 | BOLT WH 5/16x1 1/4 BLK |



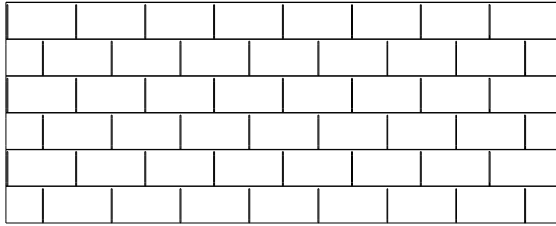
TIP:
INSTALL T-NUTS IN WOOD FIRST

FLUSH OUTSIDE FACE THEN PRE-DRILL USING AN 1/8" [3mm] DRILL BIT

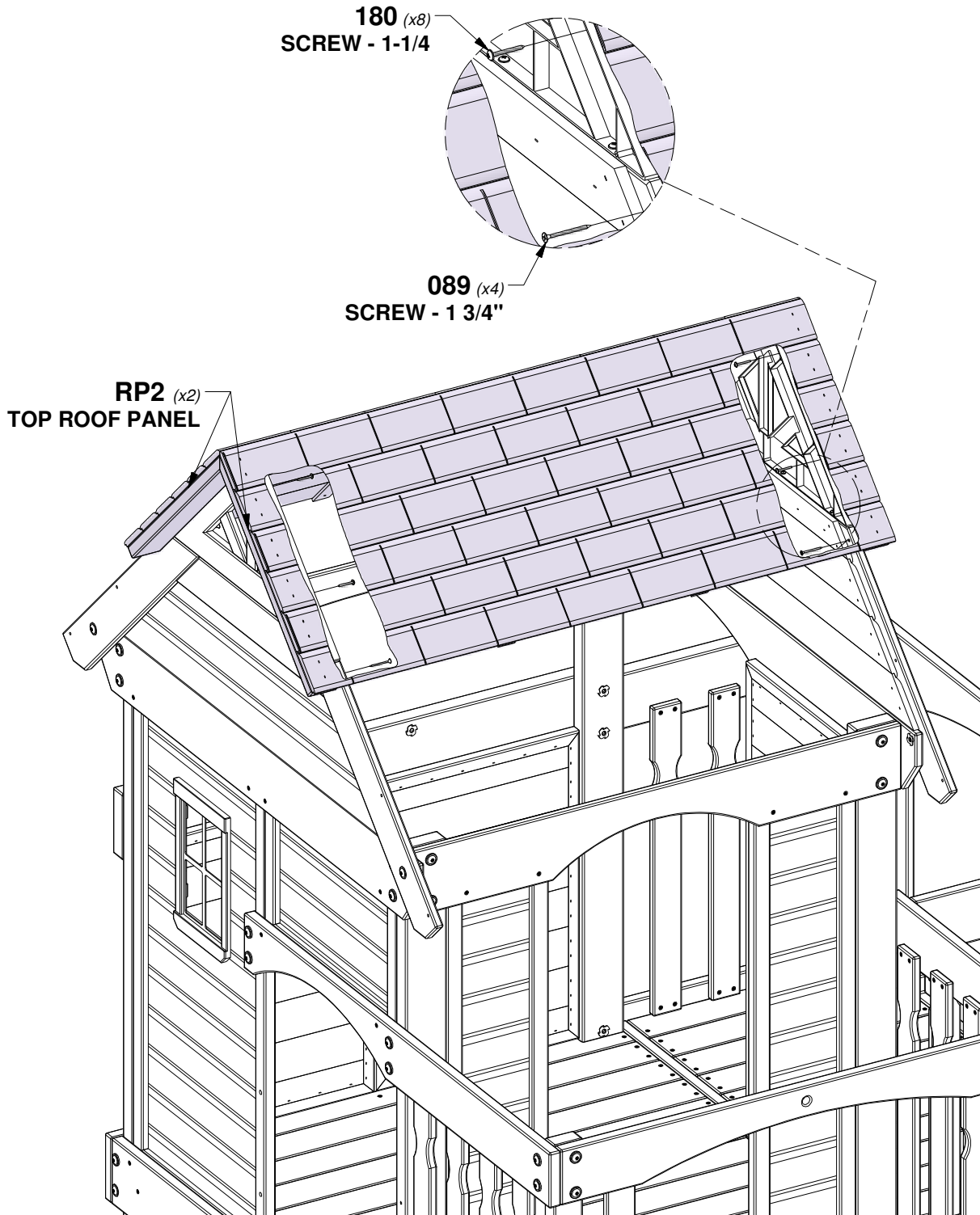


STEP 46 - FORT ASSEMBLY

| QTY | PART NUMBER | DESCRIPTION |
|-----|-------------|--------------------|
| 4 | H100089 | SCREW PFH 8x1-3/4" |
| 8 | H100180 | SCREW PWH 8x1-1/4" |

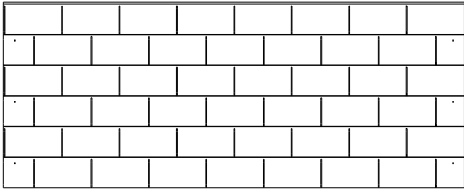


RP2 TOP ROOF PANEL - W2A02495
(x2) 1 3/8"x48"x19 1/8" (35x1220x486)



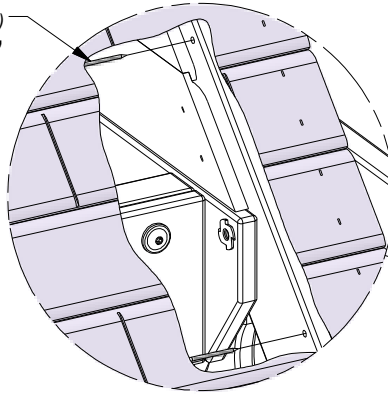
STEP 47 - FORT ASSEMBLY

| QTY | PART NUMBER | DESCRIPTION |
|-----|-------------|--------------------|
| 8 | H100089 | SCREW PFH 8x1-3/4" |

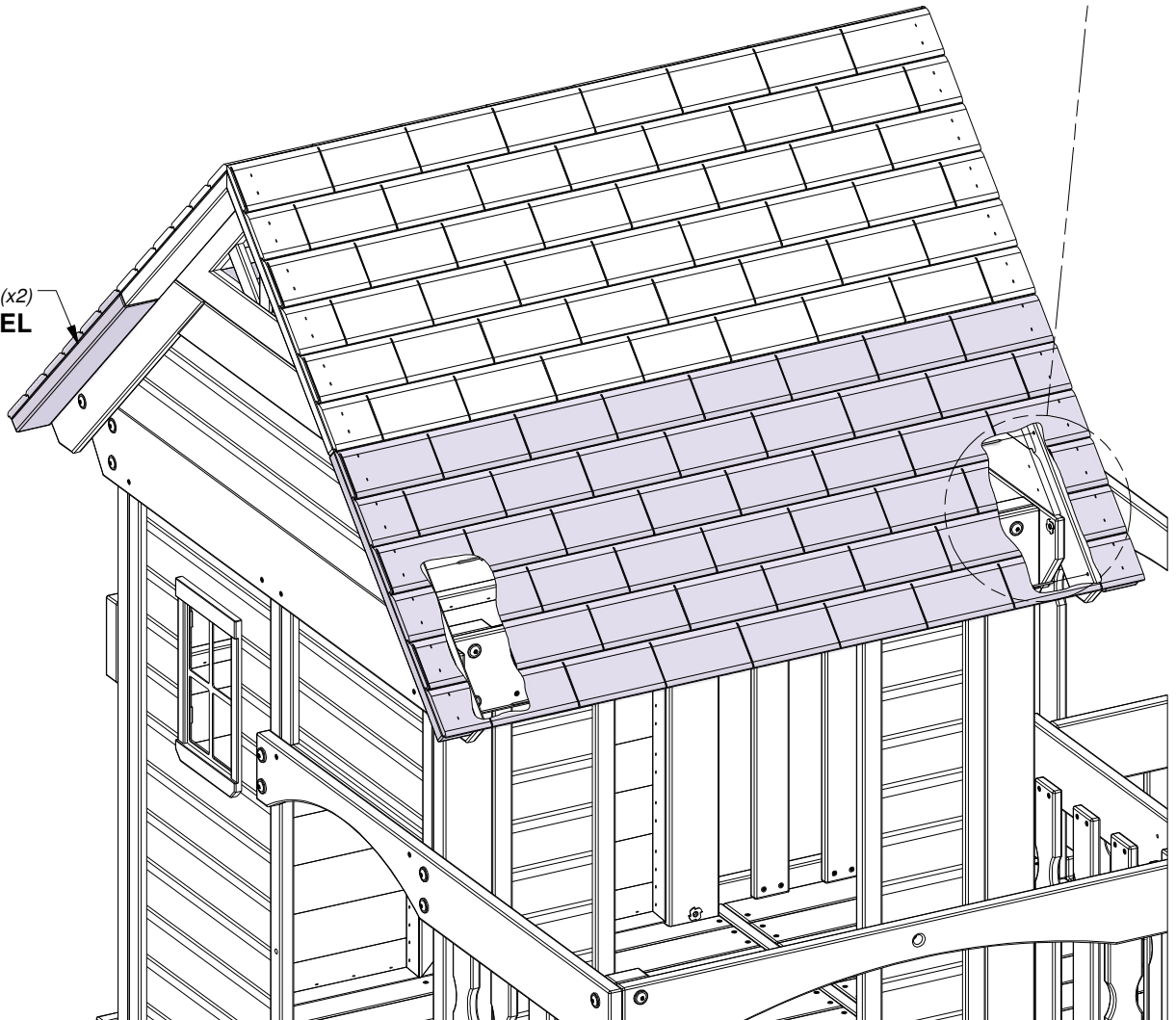


RP1 BOTTOM ROOF PANEL - W2A02494
(x2) 1 3/8"x48"x19 3/8" (35x1220x491)

089 (x8)
SCREW - 1 3/4"

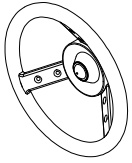


RP1 (x2)
BOTTOM ROOF PANEL



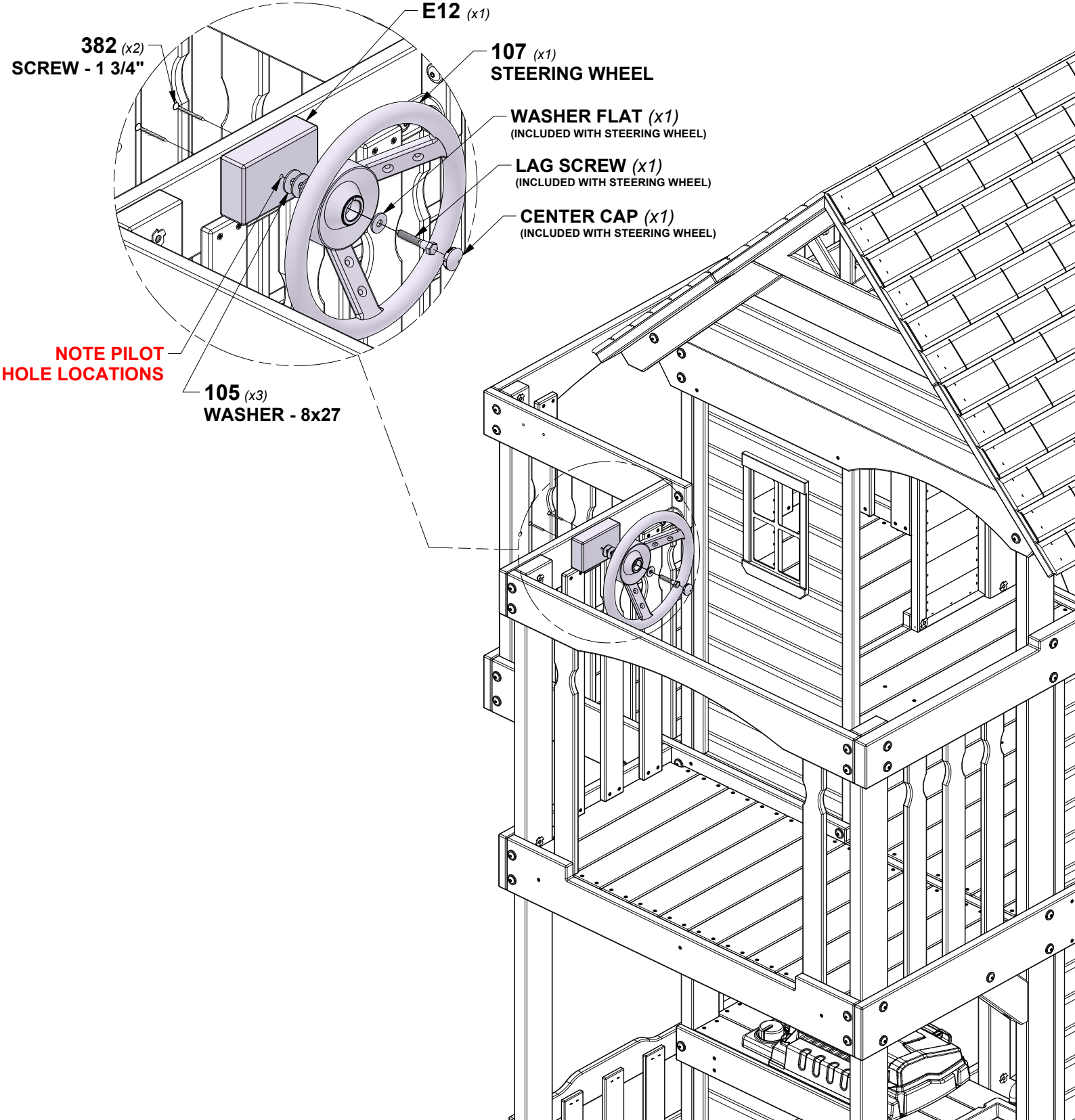
STEP 48 - FORT ASSEMBLY

| QTY | PART NUMBER | DESCRIPTION |
|-----|-------------|-----------------------|
| 2 | H100382 | SCREW PFH 8x1 3/4 BLK |
| 3 | H100105 | WASHER FLAT 8x27 |



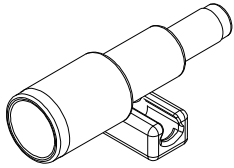
A100107
(x1) **STEERING WHEEL**

E12 MOUNTING BLOCK - W4L17816
(x1) 1 3/8"x3"x4 3/4" (36x76x120)



STEP 49 - FORT ASSEMBLY

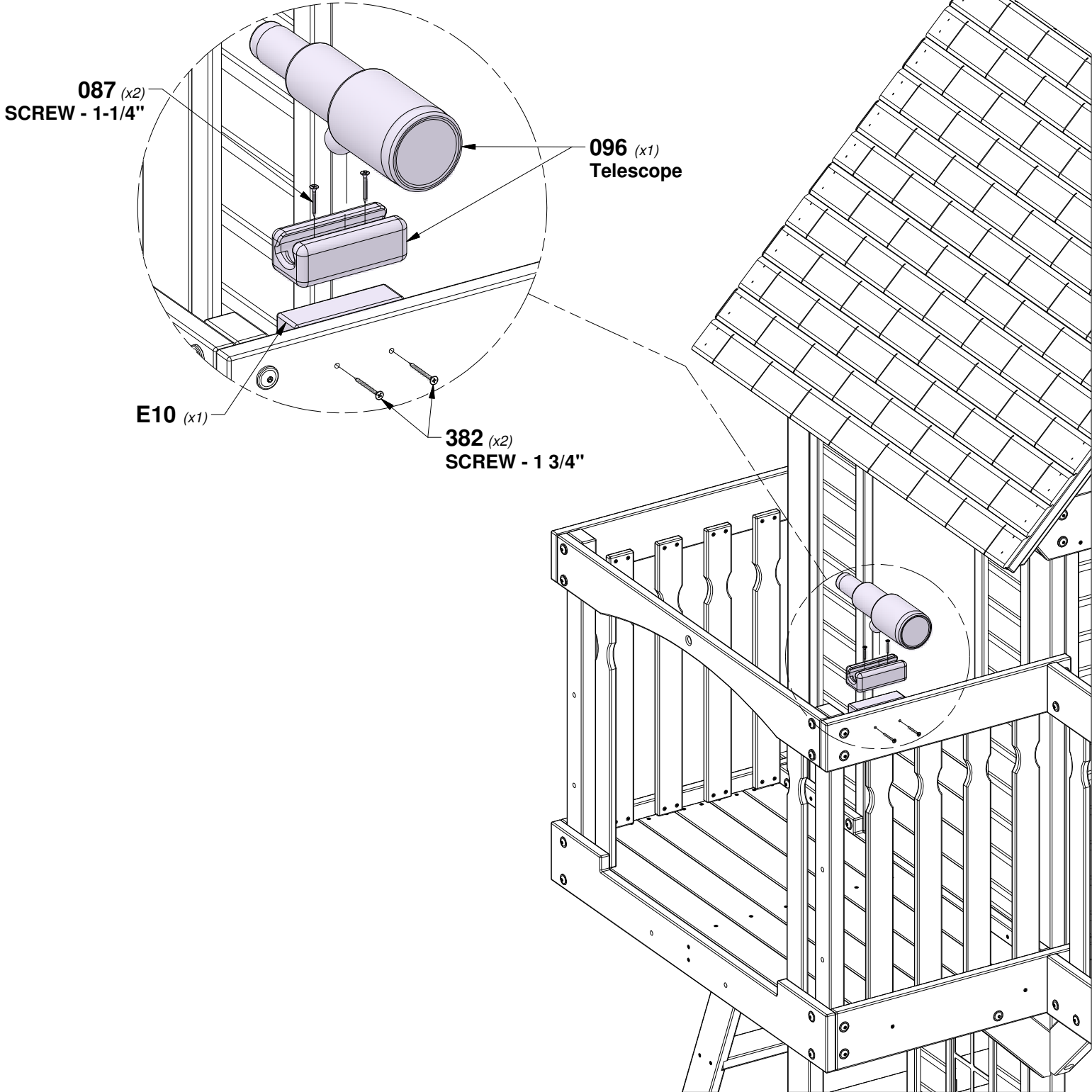
| QTY | PART NUMBER | DESCRIPTION |
|-----|-------------|-----------------------|
| 2 | H100087 | SCREW PFH 8x1-1/4" |
| 2 | H100382 | SCREW PFH 8x1 3/4 BLK |



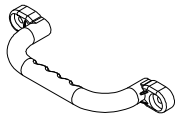
A6P00096
(x1) **TELESCOPE**



E10 MOUNTING BLOCK - W4L17815
(x1) 1 3/8"x3"x4 3/4" (36x76x120)



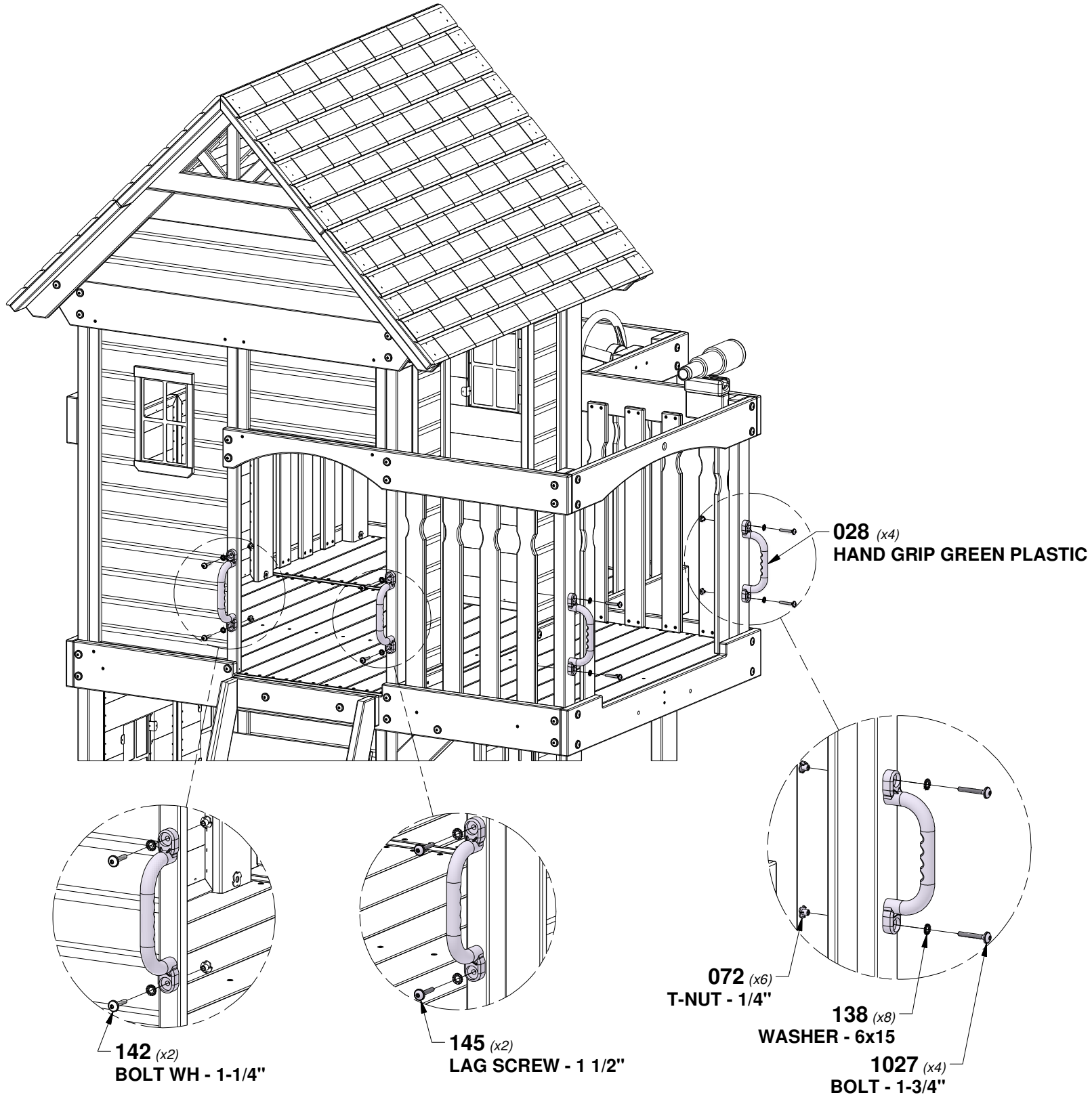
STEP 50 - FORT ASSEMBLY



A100028 HAND GRIP
(x4) GREEN PLASTIC

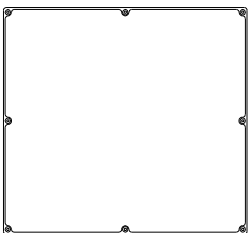
| QTY | PART NUMBER | DESCRIPTION |
|-----|-------------|------------------------|
| 6 | H100072 | T-NUT 1/4 |
| 8 | H100138 | WASHER LOCK EXT 6x15 |
| 2 | H100142 | BOLT WH 1/4x1-1/4 |
| 2 | H100145 | LAG SCREW WH 1/4x1-1/2 |
| 4 | H101027 | BOLT WH 1/4x1-3/4 |

TIP:
INSTALL T-NUTS IN WOOD FIRST



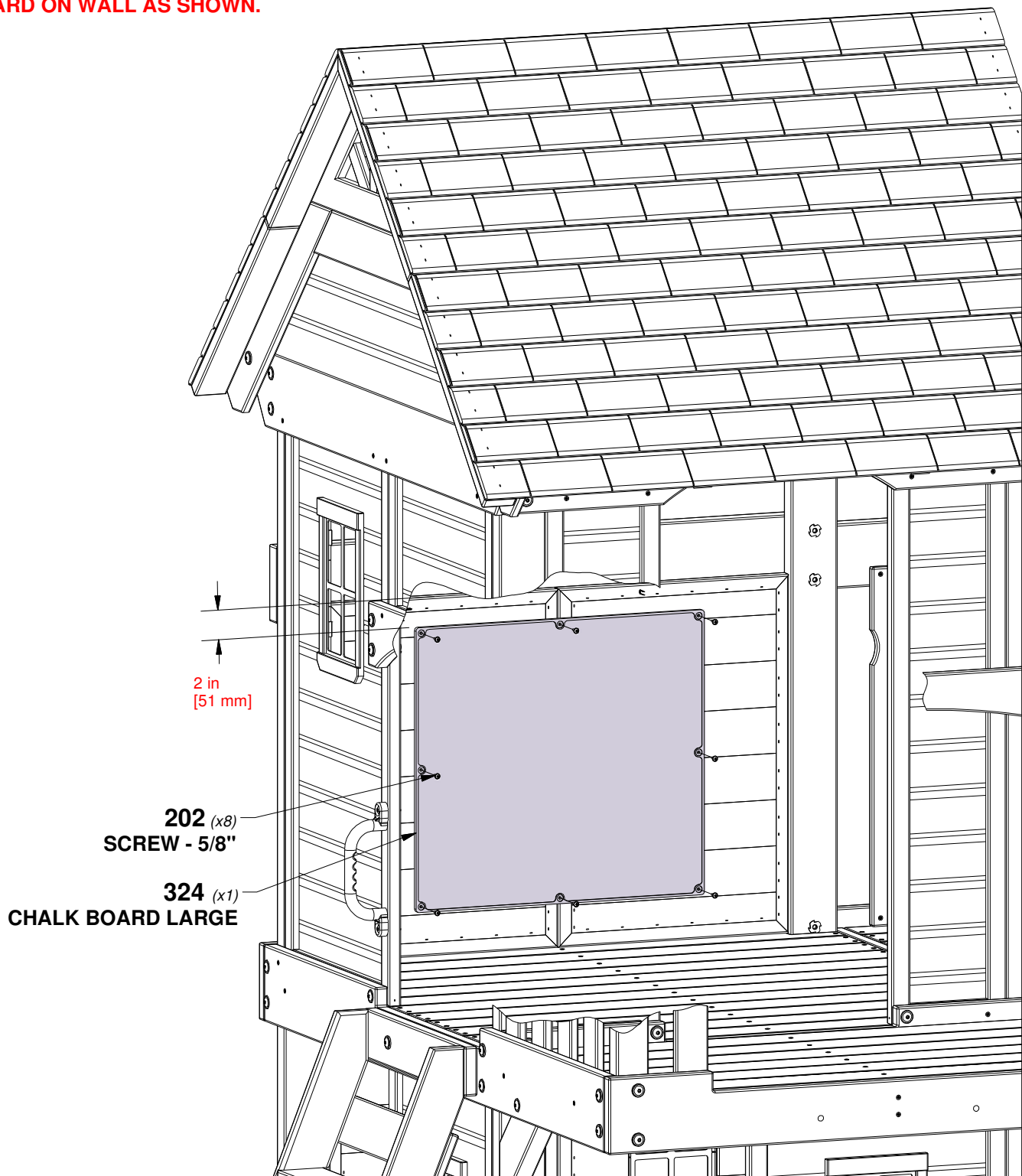
STEP 51 - FORT ASSEMBLY

| QTY | PART NUMBER | DESCRIPTION |
|-----|-------------|---------------------|
| 8 | H100202 | SCREW PWH 8x5/8 BLK |



**A6P00324 CHALK BOARD
(x1) LARGE**

TIP:
CENTER CHALK BOARD ON WALL AS SHOWN.



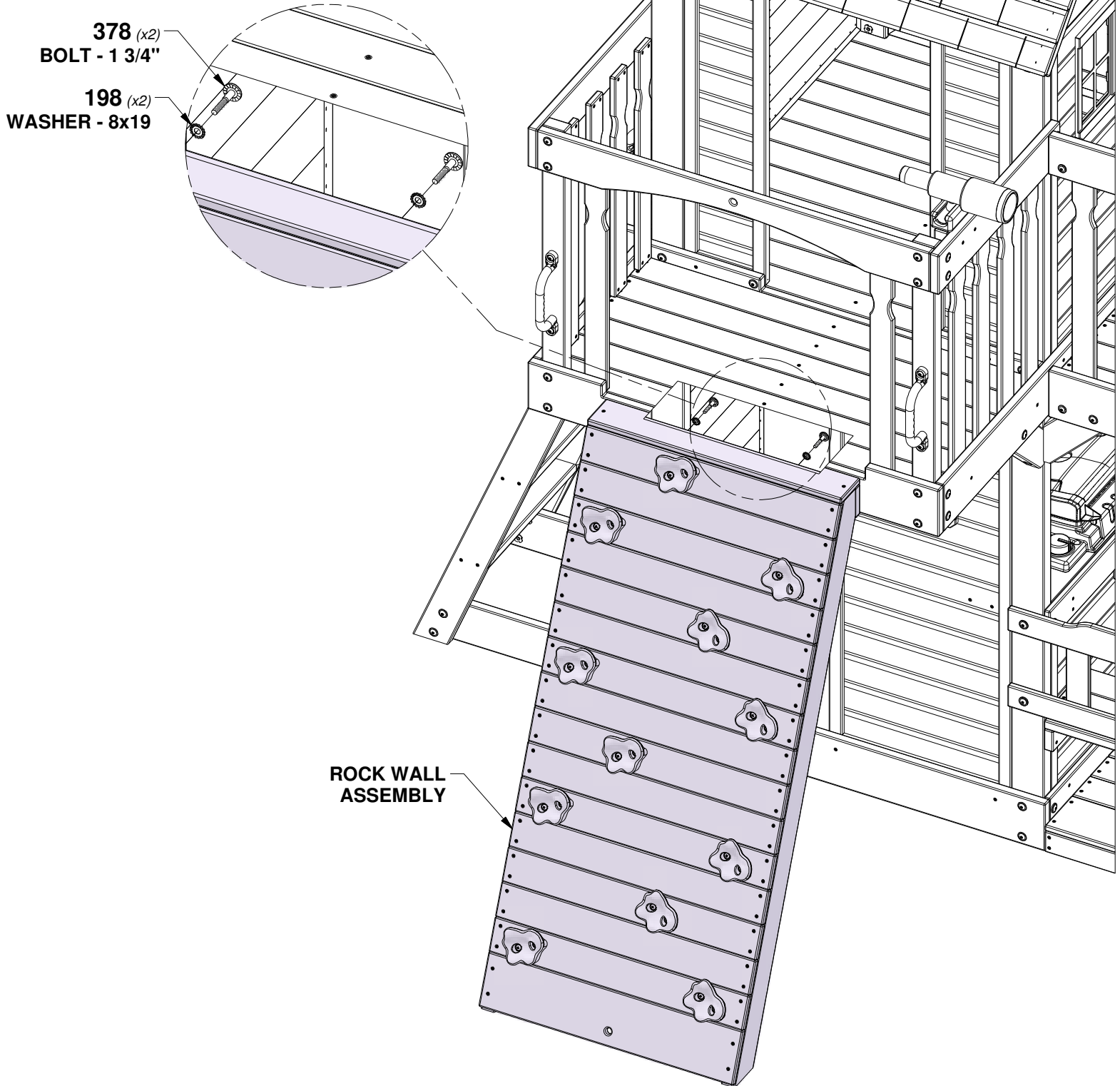
2 in
[51 mm]

**202 (x8)
SCREW - 5/8"**

**324 (x1)
CHALK BOARD LARGE**

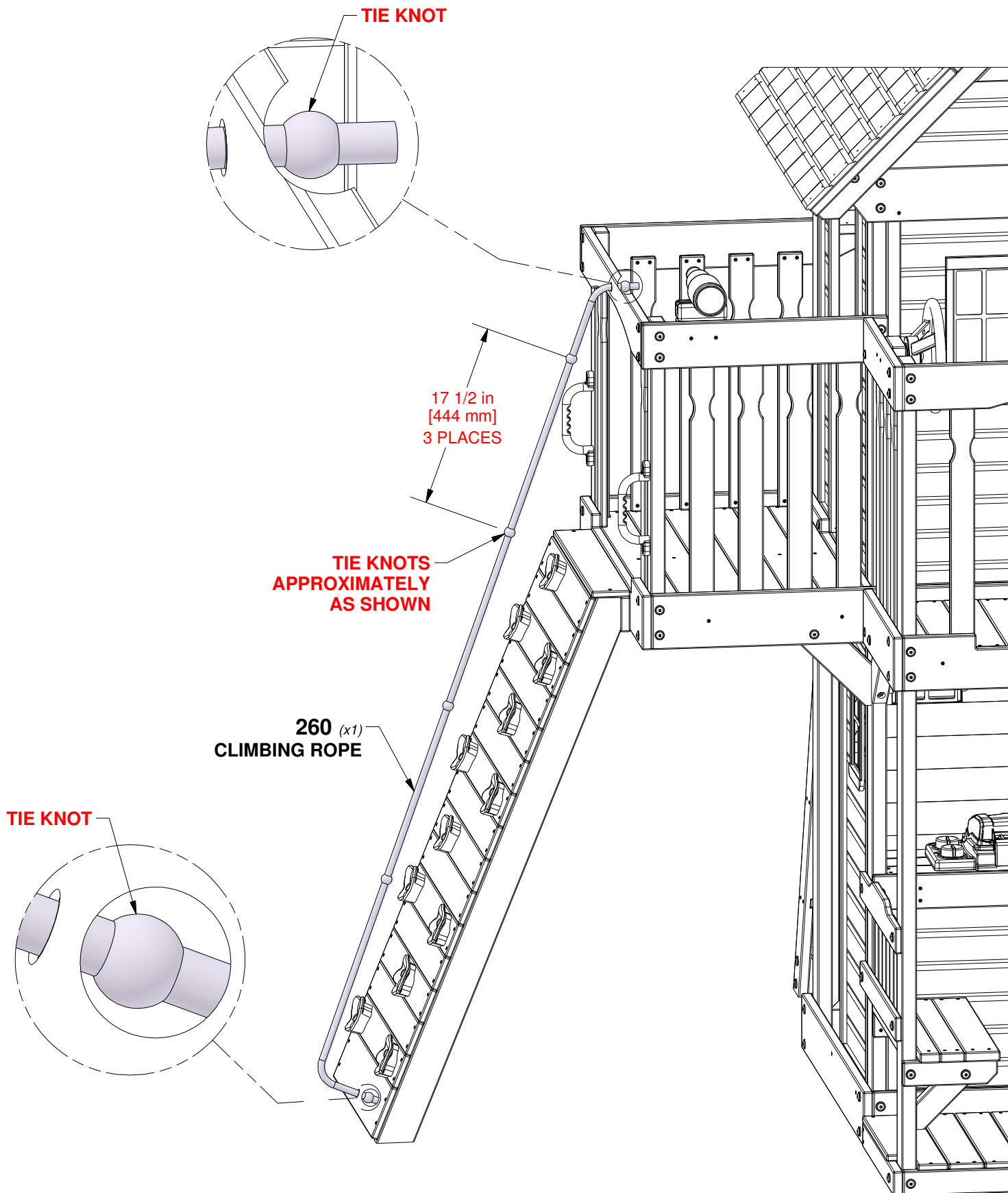
STEP 1 - FINAL ASSEMBLY

| QTY | PART NUMBER | DESCRIPTION |
|-----|-------------|--------------------------|
| 2 | H100198 | WASHER LOCK EXT 8x19 BLK |
| 2 | H100378 | BOLT WH 5/16x1 3/4 BLK |



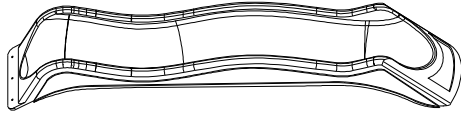
STEP 2 - FINAL ASSEMBLY

A6P00260
(x1) CLIMBING ROPE



STEP 3 - FINAL ASSEMBLY

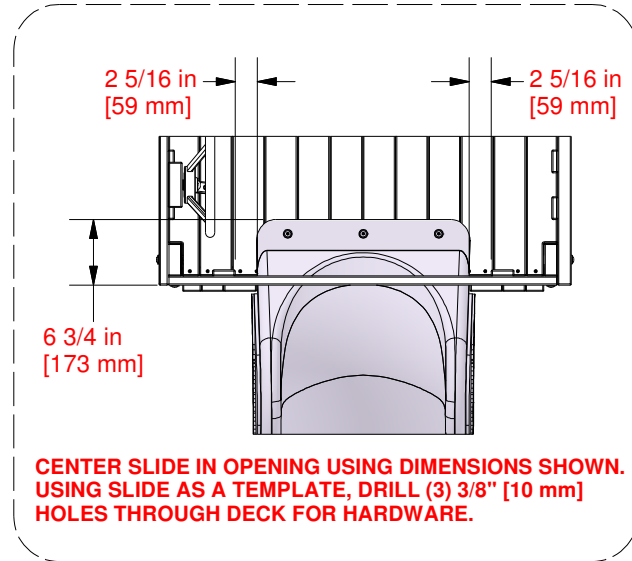
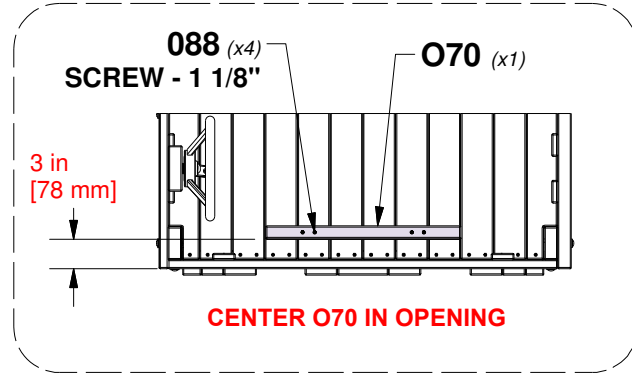
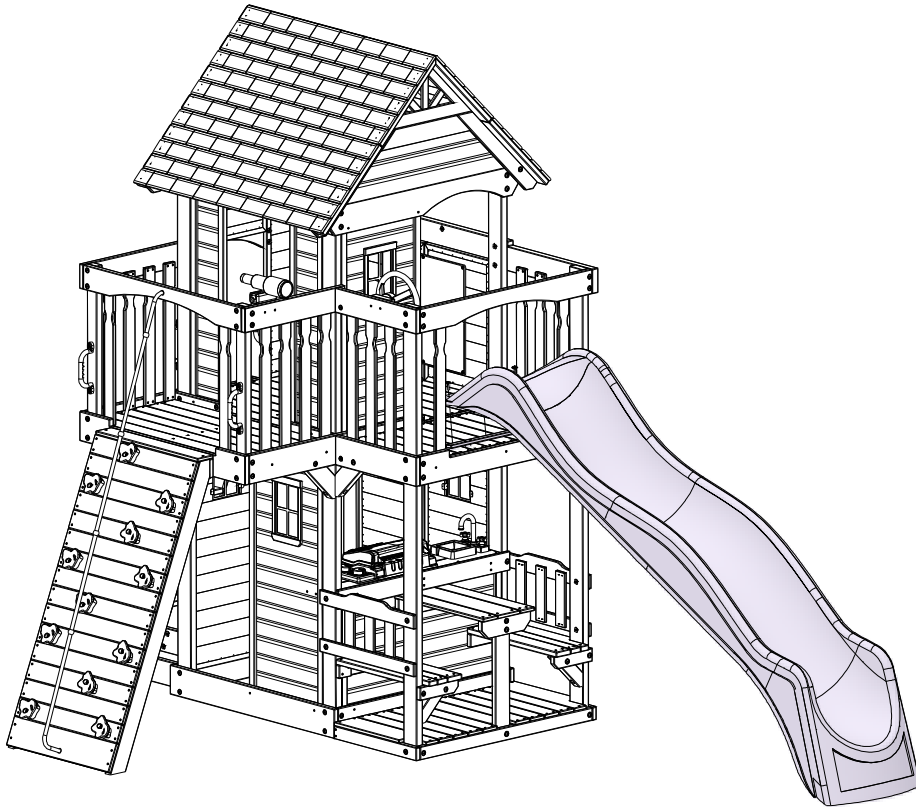
| 10 FT VACUUM FORMED SLIDE | | |
|---------------------------|--------|--------------|
| PART NUMBER | COLOR | MODEL NUMBER |
| A100287 | GREEN | 1803022B |
| A6P00540 | YELLOW | 2200272B |
| A6P00539 | GREY | 2300026B |



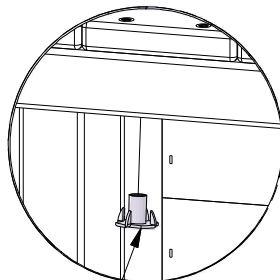
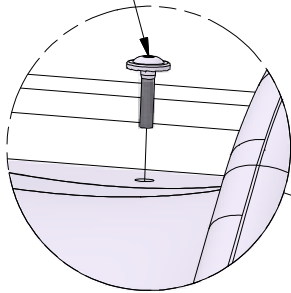
| QTY | PART NUMBER | DESCRIPTION |
|-----|-------------|--------------------|
| 3 | H100009 | BOLT WH 5/16x1-1/4 |
| 3 | H100074 | T-NUT 5/16 |
| 4 | H100088 | SCREW PFH 8x1-1/8 |



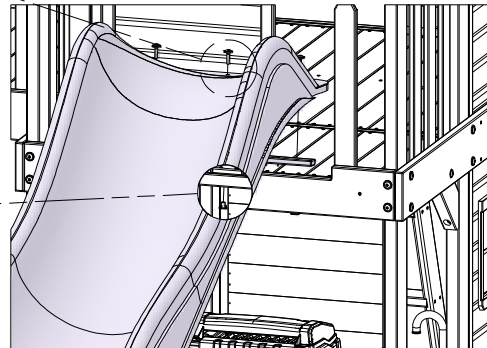
070 SLIDE MOUNTING BOARD - W4L09040
(x1) 5/8"x1 3/8"x20 3/8" (16x34x517)



009 (x3) BOLT - 1 1/4"

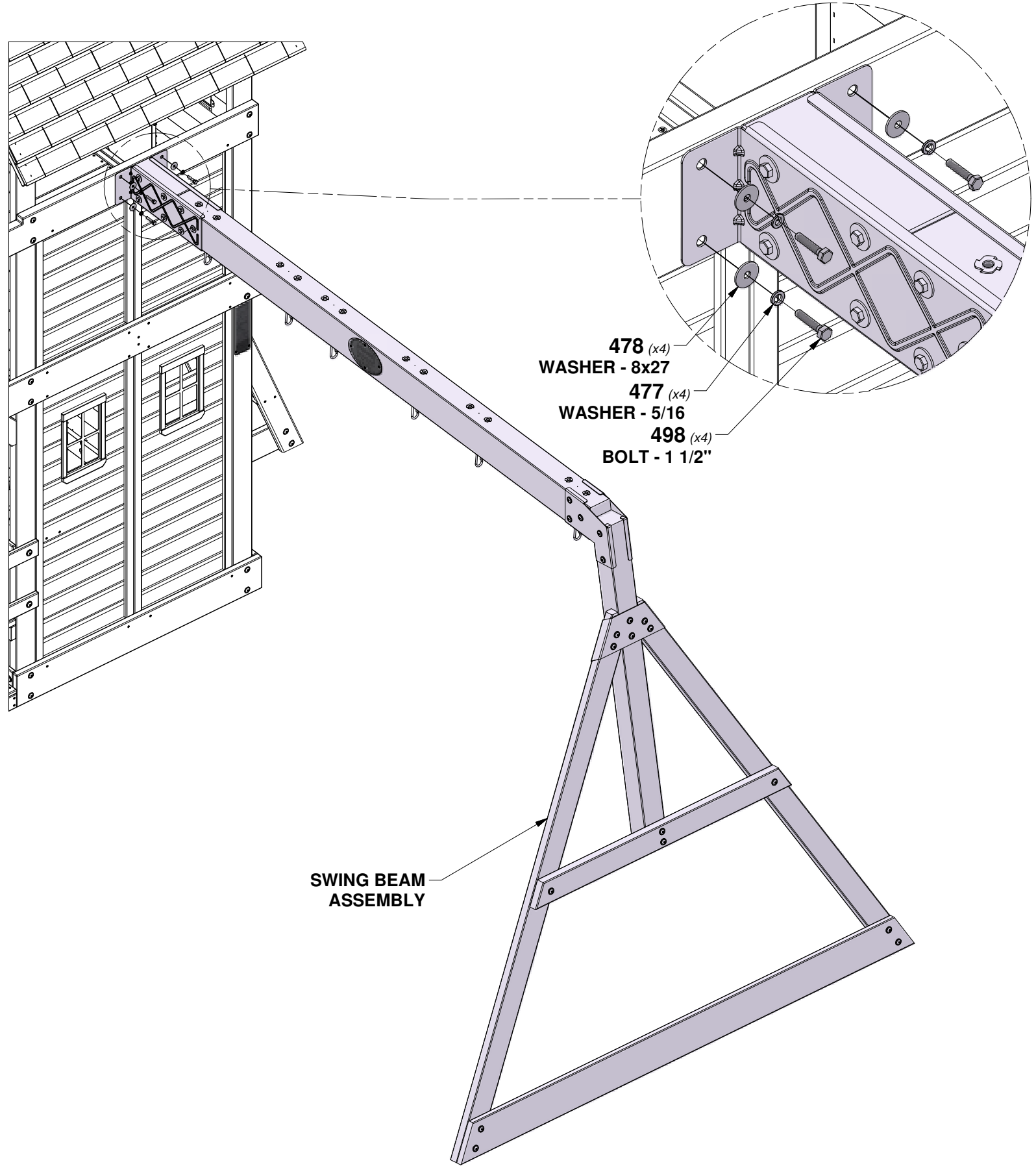


074 (x3) T-NUT - 5/16"



STEP 4 - FINAL ASSEMBLY

| QTY | PART NUMBER | DESCRIPTION |
|-----|-------------|---------------------------|
| 4 | H100477 | WASHER SPLIT 5/16 BLK |
| 4 | H100478 | WASHER FLAT 8x27 BLK |
| 4 | H100498 | BOLT HEX 5/16x1-1/2 - BLK |



- 478 (x4)
WASHER - 8x27
- 477 (x4)
WASHER - 5/16
- 498 (x4)
BOLT - 1 1/2"

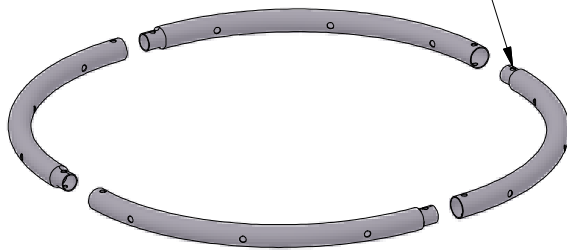
SWING BEAM
ASSEMBLY

STEP 1 - WEB SWING ASSEMBLY

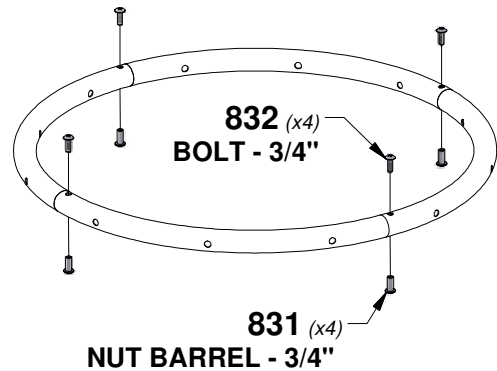
| QTY | PART NUMBER | DESCRIPTION |
|-----|-------------|----------------------------|
| 4 | H100831 | NUT BARREL PTH BLK 1/4x3/4 |
| 4 | H100832 | BOLT PTH 1/4x3/4 |

IMPORTANT: SLIDE ROPE LOOPS OVER TUBE ENDS FIRST!

SLIDE NARROW END OF TUBES INTO LARGER OPENING AFTER SLIDING ROPE LOOPS ONTO TUBES.

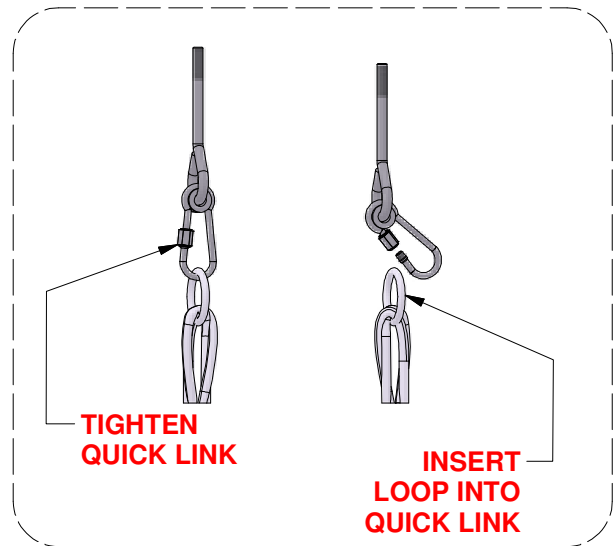


NOTE: ROPE WEBBING NOT SHOWN IN ILLUSTRATION FOR CLARITY.

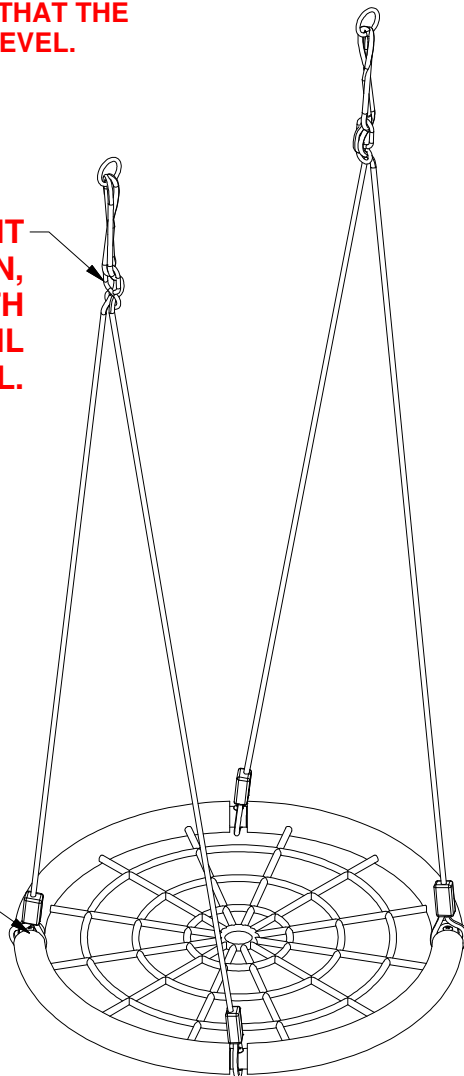


NOTE: IT IS IMPORTANT THAT THE WEB SWING HANG LEVEL.

TO ENSURE STRAIGHT SWINGING MOTION, ADJUST BOTH "S" BRACKETS UNTIL WEB SEAT IS LEVEL.



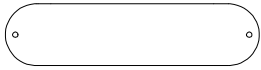
SWING MUST BE SET AT A MINIMUM OF 8 INCHES OFF THE GROUND WHEN INSTALLED.



STEP 5 - FINAL ASSEMBLY



A100068
(x4) **CHAIN GREEN 51.25"**



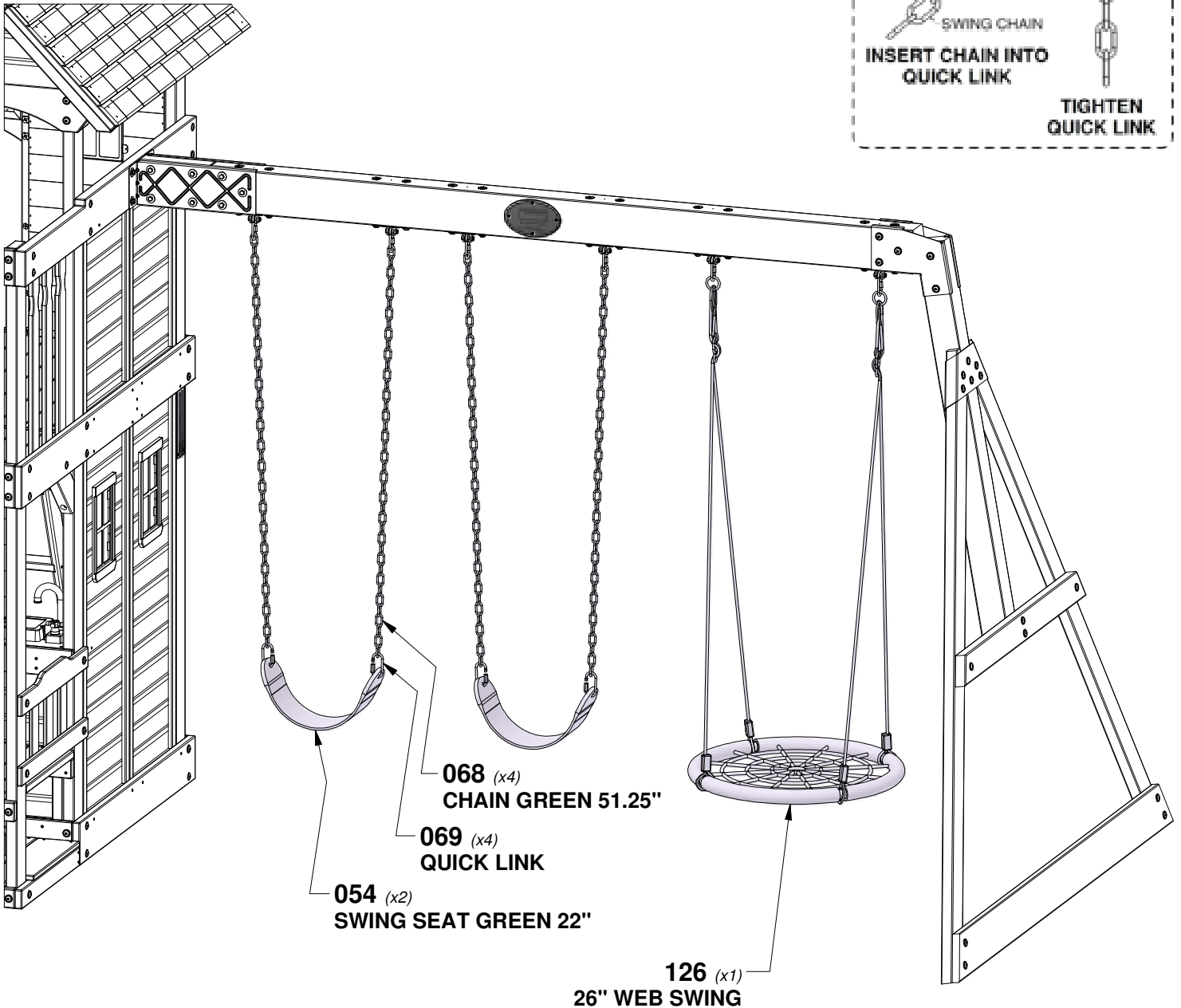
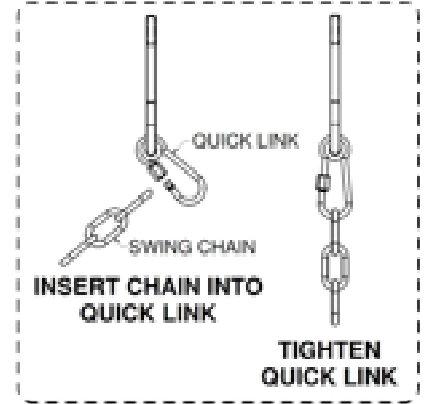
A6P00054
(x2) **SWING SEAT GREEN 22"**



A100069
(x4) **QUICK LINK**

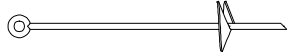


A4M01126
(x1) **26" WEB SWING**



STEP 6 - FINAL ASSEMBLY

| QTY | PART NUMBER | DESCRIPTION |
|-----|-------------|------------------------|
| 6 | H100379 | T-NUT 5/16 BLK |
| 6 | H100459 | BOLT WH 5/16x1 1/4 BLK |



A100178 AUGER GROUND STAKE
(x6)

TIP:
INSTALL T-NUTS IN WOOD FIRST

TWIST GROUND STAKE INTO GROUND AT LOCATIONS SHOWN. USING AUGER STAKE AS A GUIDE, DRILL A 7/16" [10mm] HOLE FOR HARDWARE.

